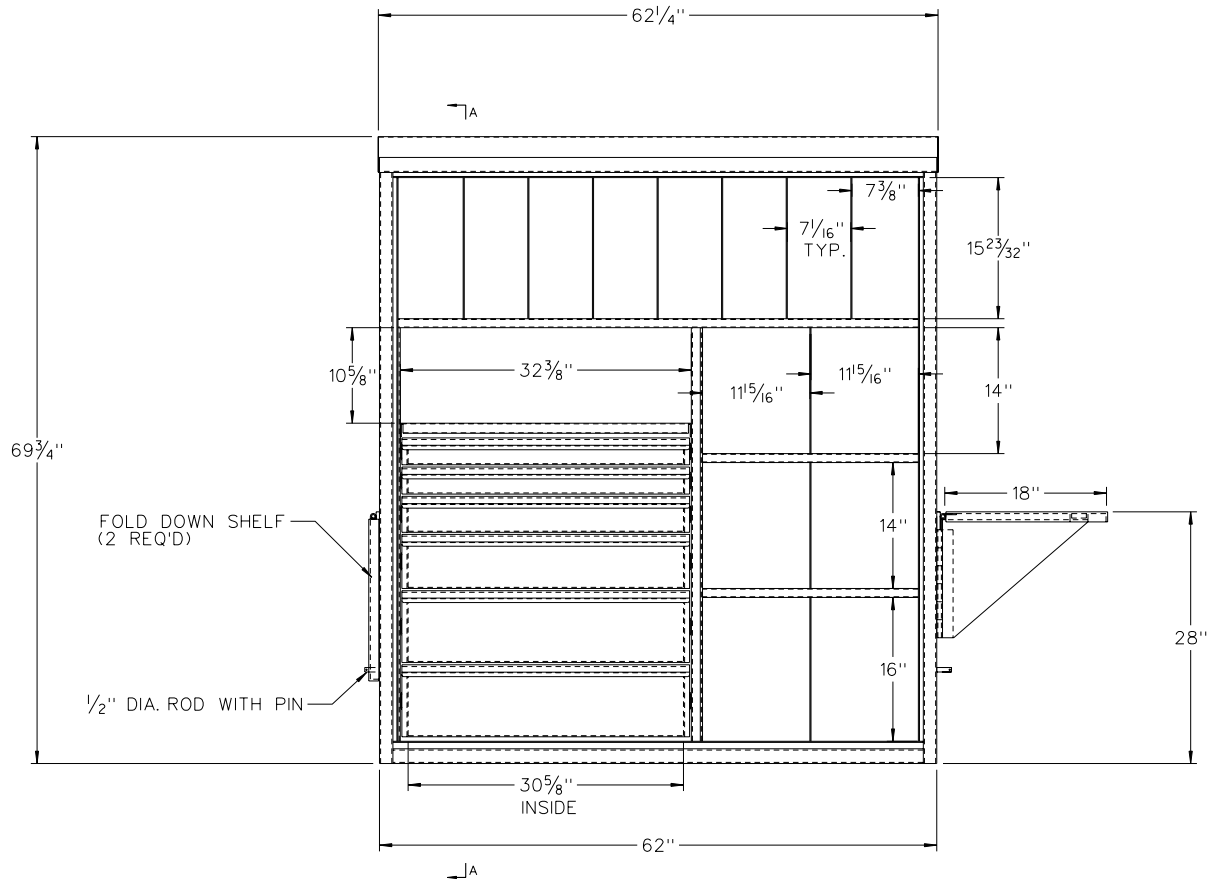
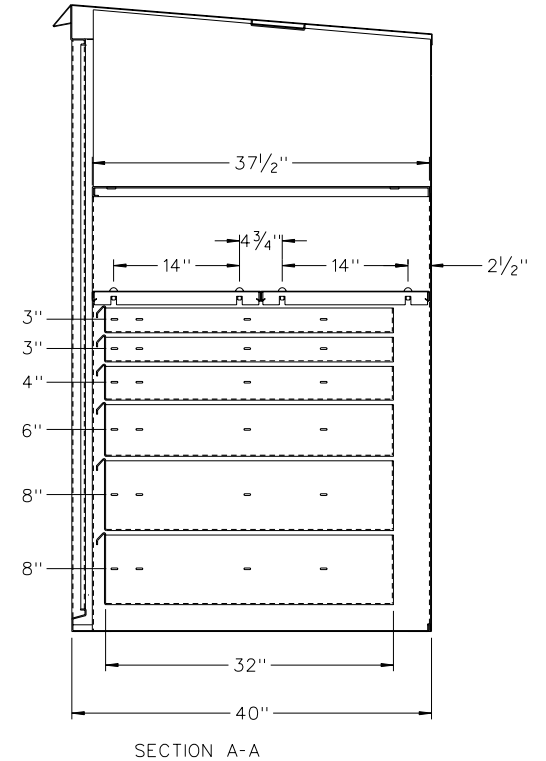


SMS-03-WP-15318



FRONT VIEW
DOORS NOT SHOWN

CONFIG "A" IN ALL DRAWERS



SECTION A-A

TOLERANCES•
UNLESS OTHERWISE SPECIFIED
PLATE/PIPE +/- 1/16"
MACHINING +/- .005"
ANGLES +/- 1 DEG.

