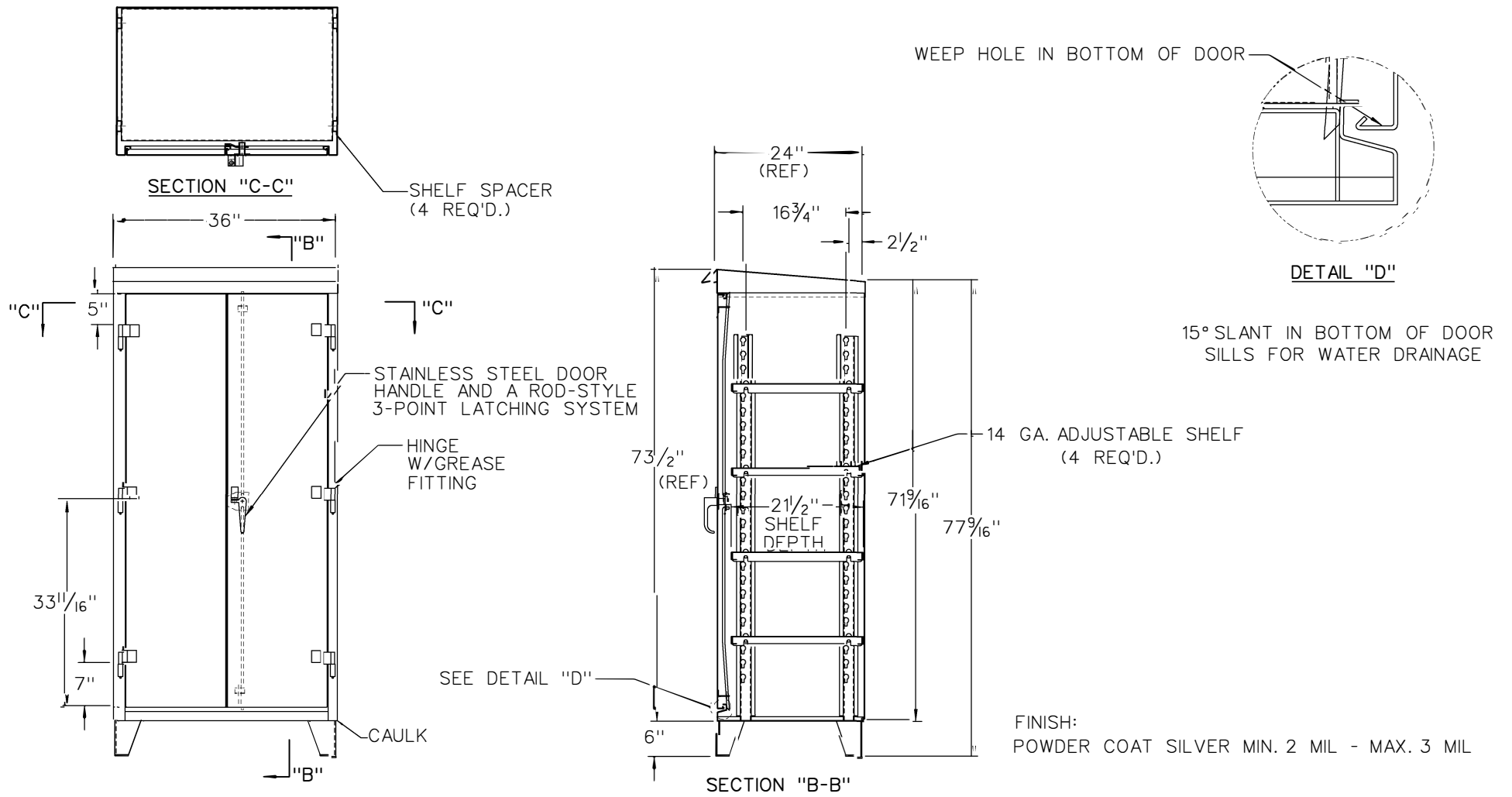


SMS-03-36-WP-244



TOLERANCES-
UNLESS OTHERWISE SPECIFIED
PLATE/PIPE +/- 1/16"
MACHINING +/- .005"
ANGLES +/- 1 DEG.

