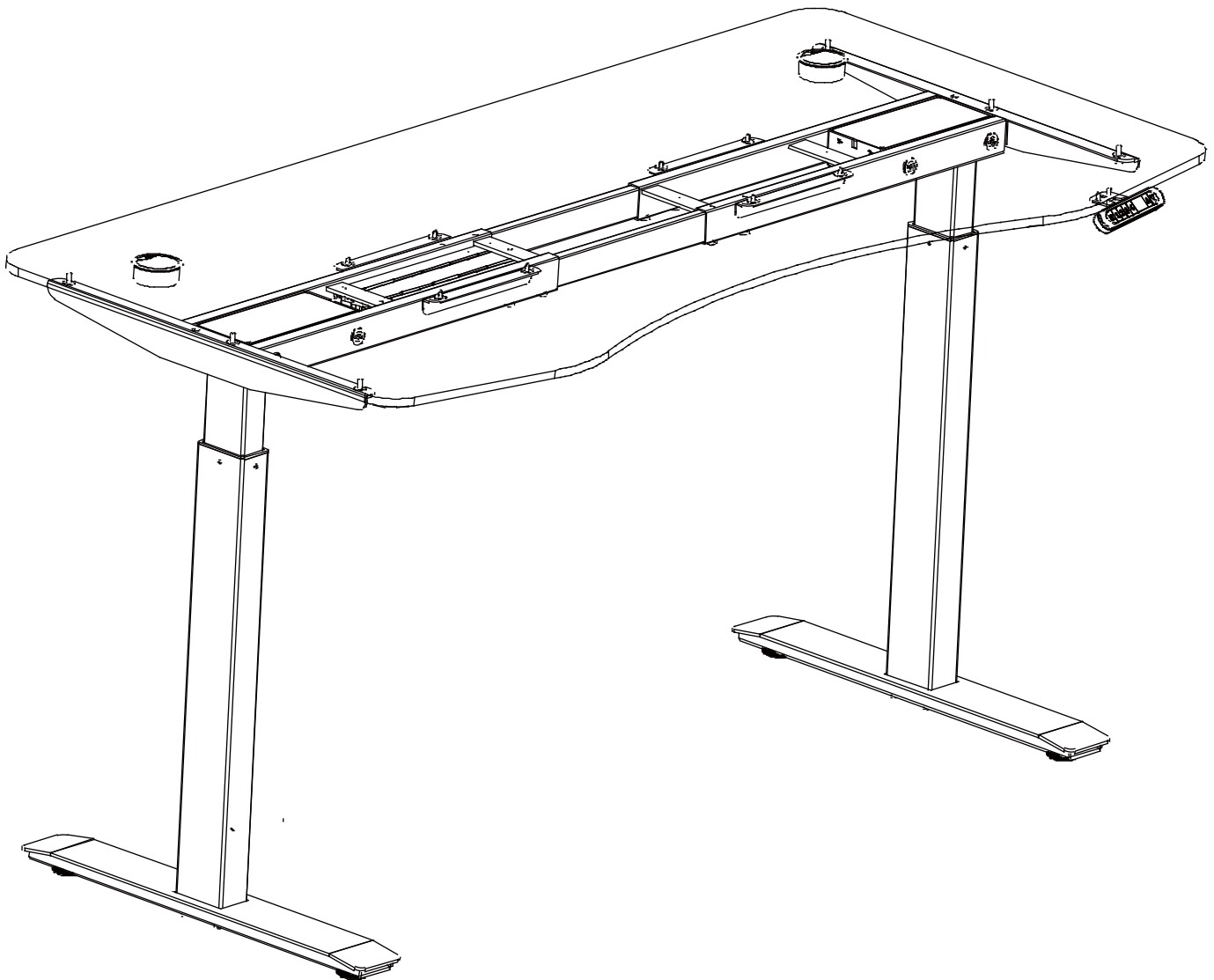


# ELECTRIC HEIGHT ADJUSTABLE DESK



## *Assembly Instructions*

  
**STOREMORESTORE**  
Efficient Productive Storage Products  
1-855-786-7667  
[WWW.STOREMORESTORE.COM](http://WWW.STOREMORESTORE.COM)

REV060616

# TABLE OF CONTENTS

Safety Instructions .....03  
Unpacking & Components.....04  
Desk Diagram.....05  
Installing Columns..... 06  
Installing Feet & Controller ..... 07  
Connecting Cables..... 08  
Initializing System .....09  
Extending Frame .....10  
Troubleshooting.....11  
Warranty.....13

# SAFETY INSTRUCTIONS

## WARNING!

FAILURE TO COMPLY WITH OR OBSERVE ALL ASSEMBLY, SAFETY AND OPERATING INSTRUCTIONS AND WARNINGS REGARDING THE USE OF THIS PRODUCT MAY RESULT IN SERIOUS BODILY INJURY.

### TO ASSURE SAFER OPERATION:



Read and understand this manual before attempting to install or operate.



Assure that everyone who uses this product is informed of the contents of this manual. This is the responsibility of the Purchaser.



This product is not intended for use by young children or for those persons who require supervision.

Safe use of this product is possible only when the operating instructions are read completely and the instructions contained are strictly observed. Persons who do not have the necessary experience or knowledge of this product must not use the product. Persons with reduced physical or mental abilities should not use this product, unless they are under supervision or they have been thoroughly instructed in the use of the apparatus by a person who is responsible for the safety of these persons. Children should be closely supervised to ensure that they do not play with this product.



This product must be INITIALIZED before use. Read the initialization part of the manual first prior to operating.

### BEFORE INSTALLATION, REINSTALLATION, OR TROUBLESHOOTING:

- Switch power off and disconnect power cord from the power outlet.
- Remove any loads or items from the work surface because movement may occur unexpectedly.

### BEFORE START-UP:

- Make sure desk has been initialized.
- Check all connections and cables. Make sure control box is connected to a power outlet.
- If the control box makes unusual noises or emits an odor, switch power off immediately.

# UNPACKING & COMPONENTS

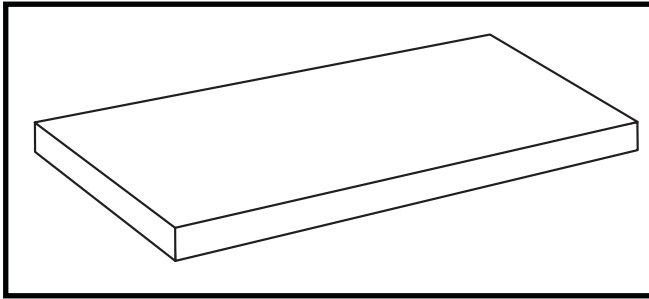


TABLE & COMPONENTS BOX

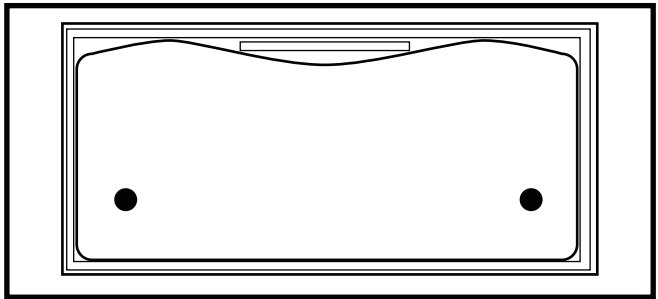
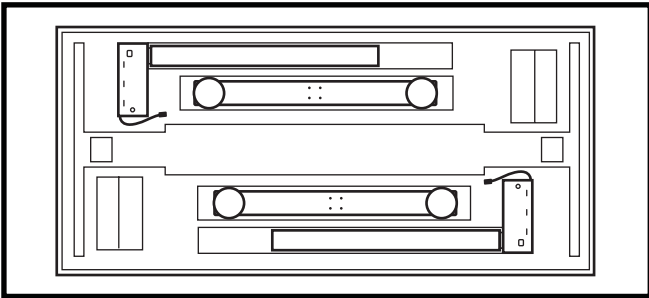
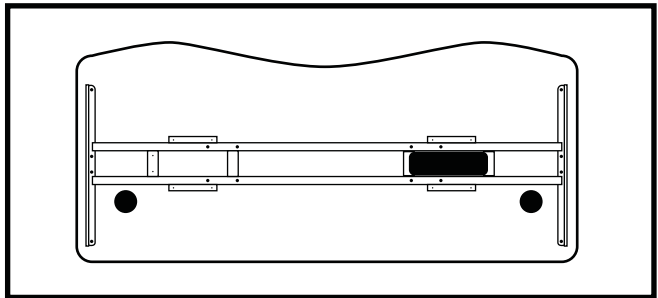


TABLE TOP VIEW



COMPONENTS



PRE-ASSEMBLED TABLE BOTTOM VIEW

The desk comes in one box. Carefully remove the contents from the package and inspect all components for damage. Don't install if there is visible physical damage on any component. The table top and frame with the control box are PRE-ASSEMBLED making it quick and easy to assemble.

Table Feet

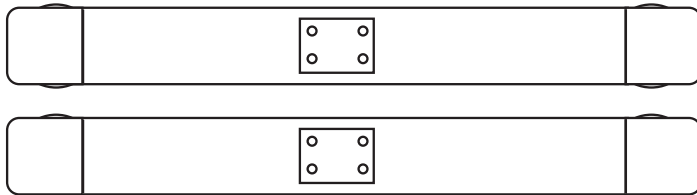
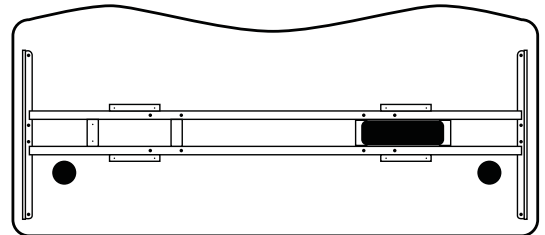
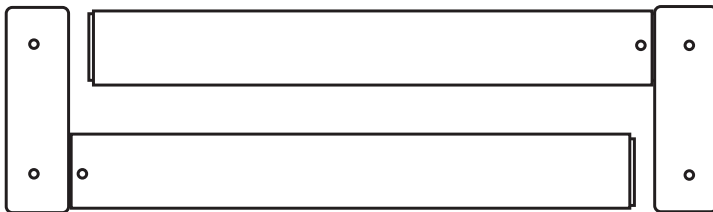
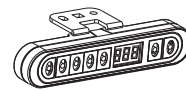


Table Columns



Pre-Assembled Table Top, Frame, Control Box



Height Controller



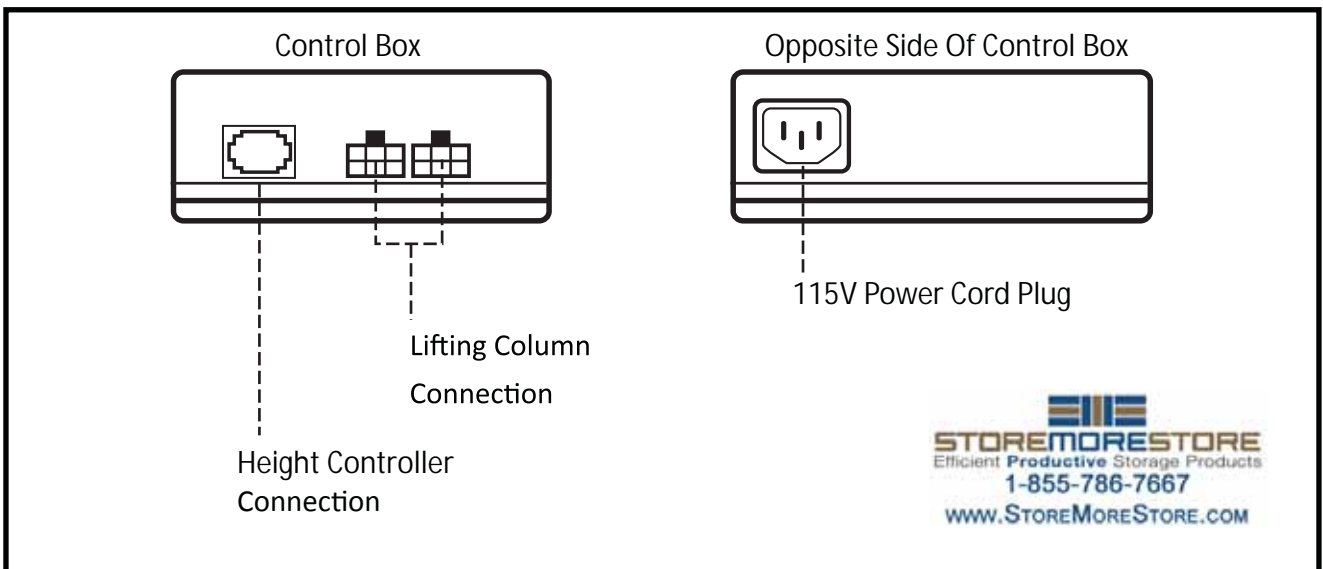
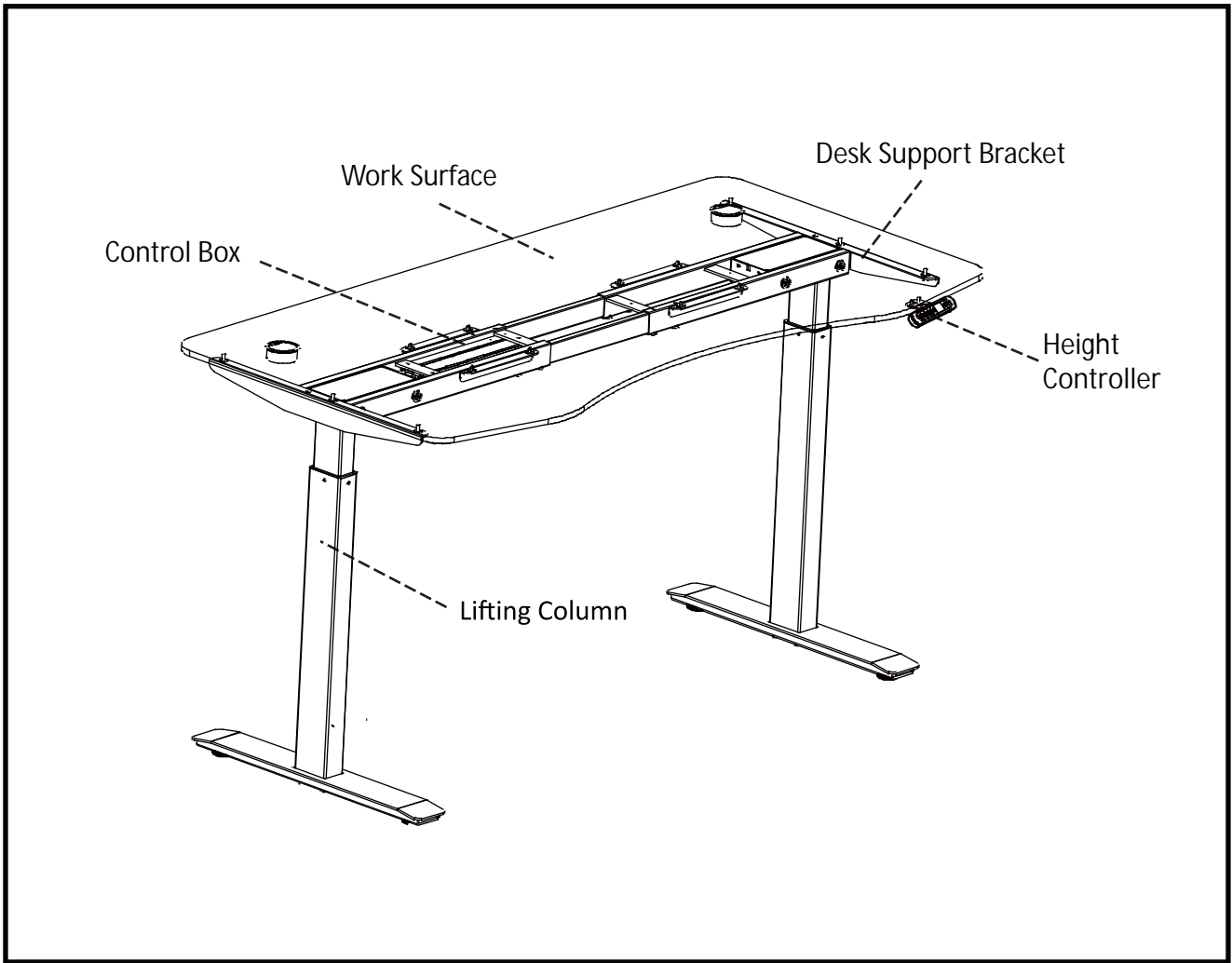
2 x Motor Cables

HARDWARE CONTENTS					
Ref.	Qty.	Description	Ref.	Qty.	Description
A	8	M8x25 Hexagon Screw	D	1	3mm Allen Wrench
	8	M22x18.8 Sleeve	E	1	5mm Allen Wrench
B	8	M6x16 Hexagon Screw	F	1	6mm Allen Wrench
C	2	ST4.8x13 Pan Head Screw	G	1	Phillips Screwdriver



Power Cable

# DESK DIAGRAM




# INSTALLING COLUMNS

Place desk top on a flat and non-abrasive surface. Carefully place under frame onto the desk top. The under frame is heavy two people will be needed to move the under frame and turn over the desk after it is done.

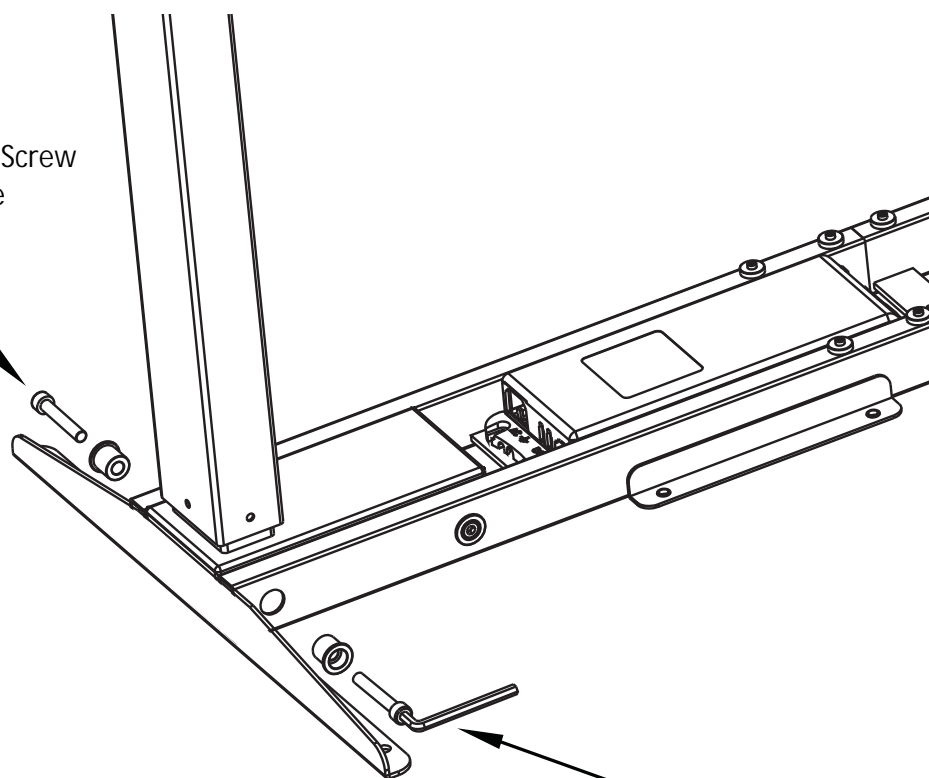
Make sure column is set properly onto the frame as shown below and use the M8x25 Hexagon Screws and M22x18.8 Sleeves to secure the column onto the pre-installed frame.

A) M8x25 Hexagon Screw 

M22x18.8 Sleeve 

F) 6mm Allen Wrench 

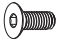

A) M8x25 Hexagon Screw  
M22x18.8 Sleeve

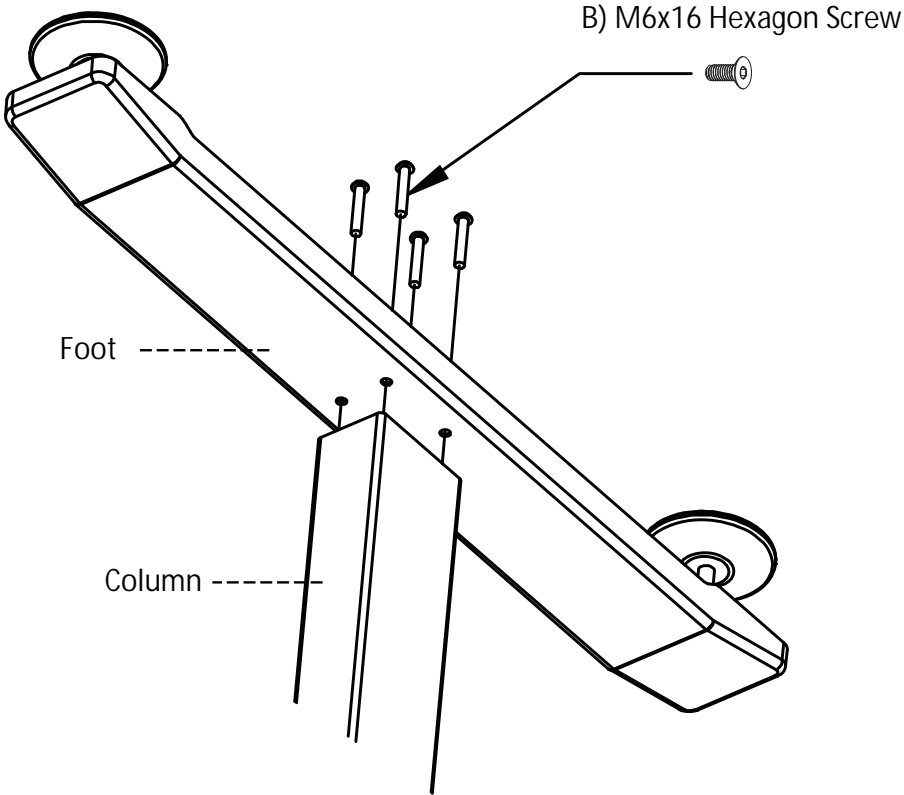


F) 6mm Allen Wrench

# INSTALLING FEET & CONTROLLER

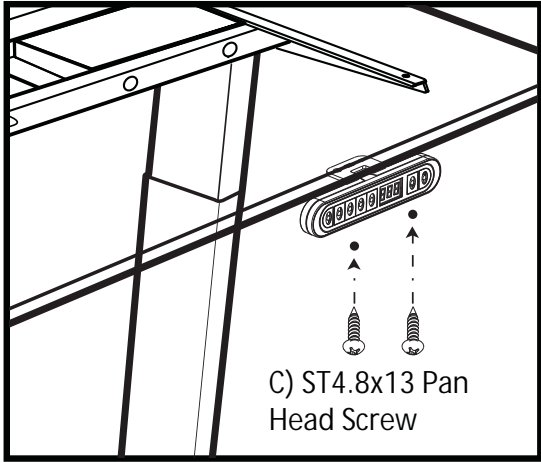
Use 5mm Allen wrench (E) to secure each foot with four M6x16 Hexagon Screws (B).  
(see page 4 for reference)

- B) M6x16 Hexagon Screw 
- E) 5mm Allen Wrench 



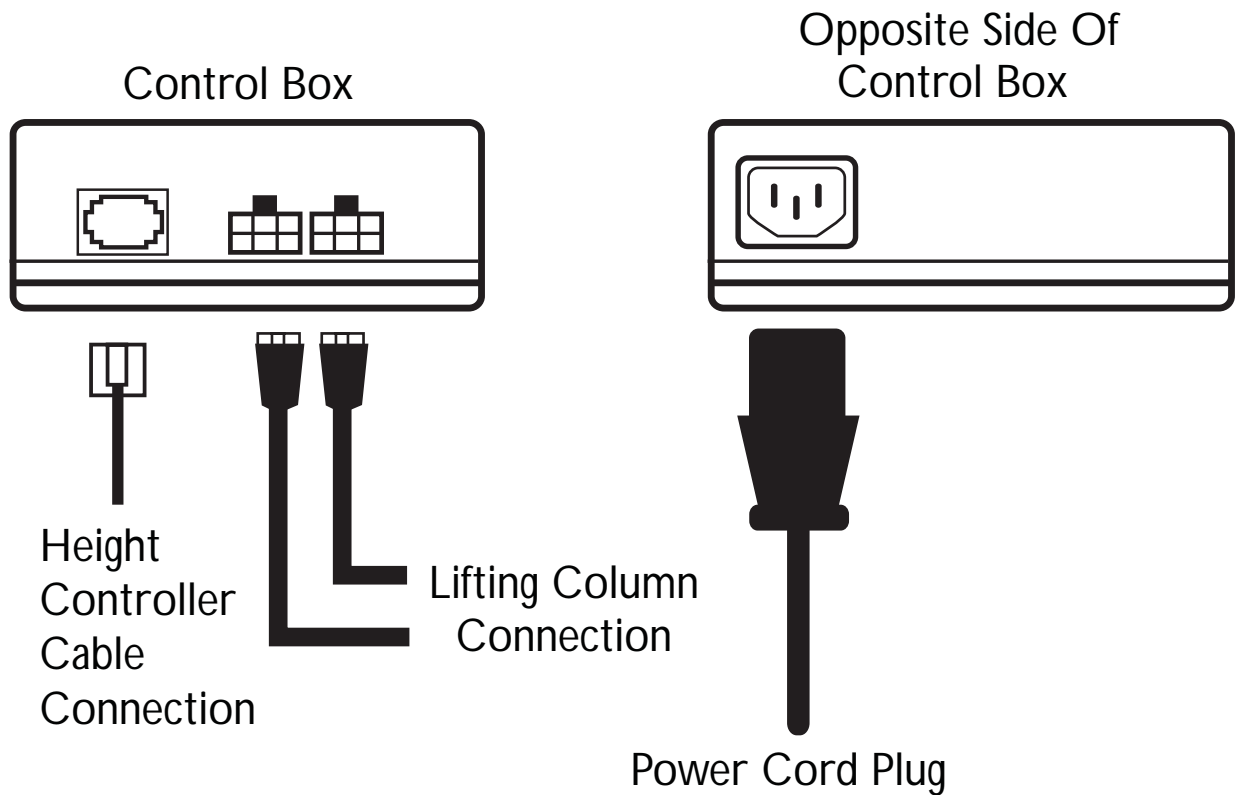
Use screw ST4.8x13 Pan Head Screws (C) to secure the Height Controller to the desk top.

*Note: Holes are pre-drilled.*



# CONNECTING CABLES

- 1) Connect Height Controller cable connector to Control Box.
- 2) Connect both Lifting Column cables to the Control Box.
- 3) Plug power cord to Control box.
- 4) Plug power cord to power outlet.





# INITIALIZING SYSTEM & SETING HEIGHT POSITIONS



**THE DESK MUST BE INITIALIZED BEFORE ITS FIRST USE, and may need to be re-initialized from time to time due to power outages to work properly. Use Height Controller to initialize.**

Press and hold the UP and DOWN buttons at the same time until three blinking zeros appear on the display, then release the buttons. The desk will first go to the lowest position, then the highest position and finally stops in between. The initialization is completed when the number 38 (+/- 1) appears on the display. Your desk is now ready to use.

You can preset up to 4 positions. Use UP and DOWN arrow buttons to move desk to your desired position. Press M plus one of the number buttons at the same time for 1 to 3 seconds until displayed height starts blinking, then release the buttons. To go to your preset height, simply press the number button TWICE or press and hold the button.



If the system STOPS working and shows "HOT" on the screen. This means the control box is under overheat protection mode. Wait a few minutes and let it cool down to 25°C this will solve the problem.

  
**STOREMORESTORE**  
Efficient Productive Storage Products  
1-855-786-7667  
[www.StoreMoreStore.com](http://www.StoreMoreStore.com)

# EXTENDING FRAME

## INSTALLING A CUSTOM TABLE TOP

*Note: This portion is optional. This is to install a custom table top.*

This frame accommodates desk top sizes from 48" to 72".

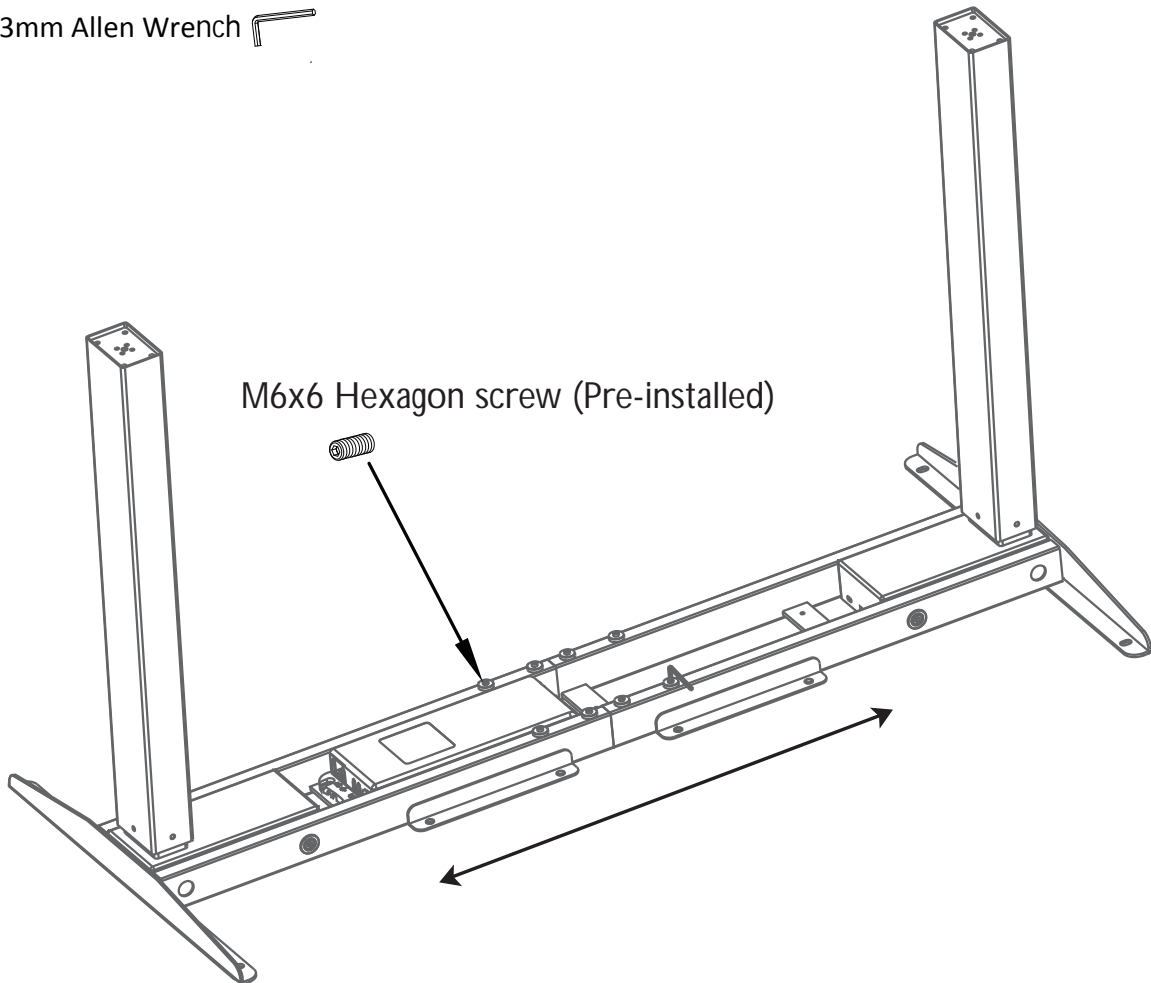
Use the 3mm Allen wrench E to loosen the pre-installed M6x6 Hexagon Screws on the beam.

Pull or push to align the holes on the support brackets to those pre-drilled on the desk top.

Tighten the screws once the alignment is achieved.

- M6x6 Hexagon Screw (Pre-installed) 

E) 3mm Allen Wrench 



  
**STOREMORESTORE**  
Efficient Productive Storage Products  
1-855-786-7667  
WWW.STOREMORESTORE.COM

# TROUBLESHOOTING

1. Issue: The desk does not go up or down

Solution: Check all connections. Make sure there is power to the desk.  
Then try to re-initialize the desk.

2. Issue: Columns do not go up or down evenly

Solution: Re-initialize the desk.

3. Issue: Table will not go up just down

Solution: Reduce the weight on the table

4. Issue: The desk wobbles excessively

Solution: It is normal for the desk to wobble slightly at standing height.  
Adjust leveling feet. Make sure all screws are tightened.

5. Issue: The system not working and showing HOT on the screen.

Solution: This is because the control box under overheat protection mode  
it shuts off to protect itself. Once the temperture goes back to 25°C it will  
be ok to re-initialize.

## FAILURE CODES

E-1: System malfunction.

(Please contact service center)

E-2: Starting current exception.

(Please re-initialize the system if failure code still show on the screen please  
contact the service center)

E-3: Starting current exception.

(Please re-initialize the system if failure code still show on the screen please  
contact the service center)

# TROUBLESHOOTING

## *FAILURE CODES CONTINUED*

E-4: Main power supply malfunction.  
(Please contact service center)

E-5: Motor is not running on the same position.  
(Please re-initialize the system)

E-6: Motor A stalling.  
(Please re-initialize the system)

E-7: Motor B stalling.  
(Please re-initialize the system)

E-8: Motor wiring malfunction.  
(Please re-initialize the system)

E-9: Motor A Hall element malfunction.  
(Please re-initialize the system)

E10: Motor B Hall element malfunction.  
(Please re-initialize the system)

E11: Height record error.  
(Please re-initialize the system)

E12: Over heat. (Please let the system cool down for a while then re-initialize the system)

