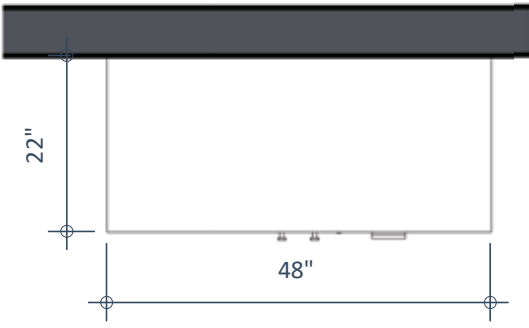
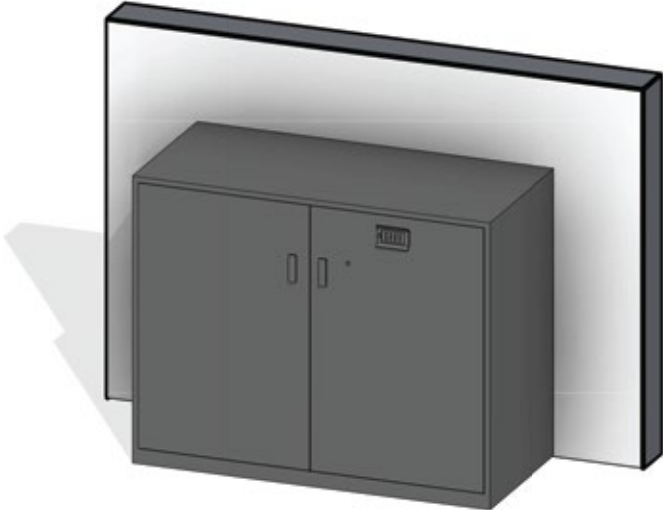
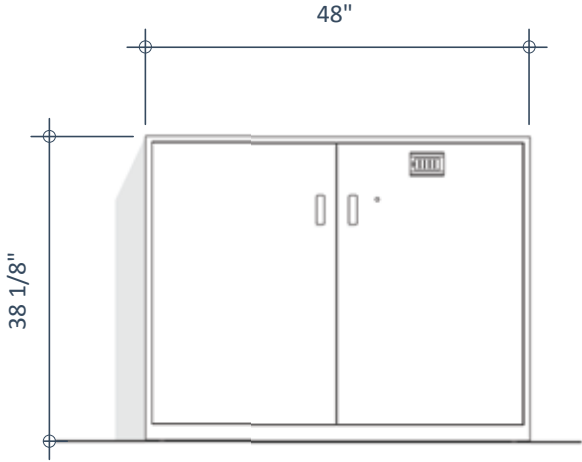


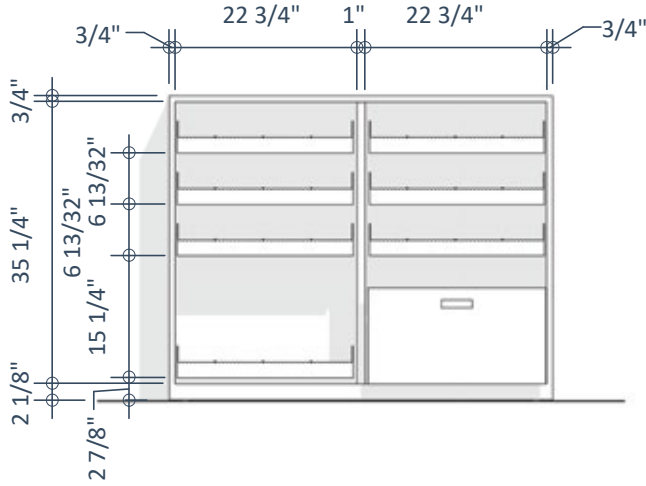
Narcotics Cabinet

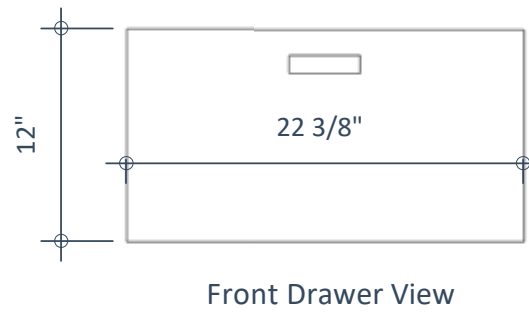
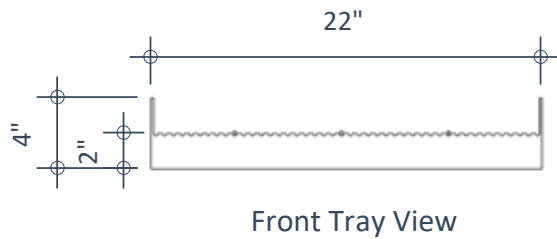
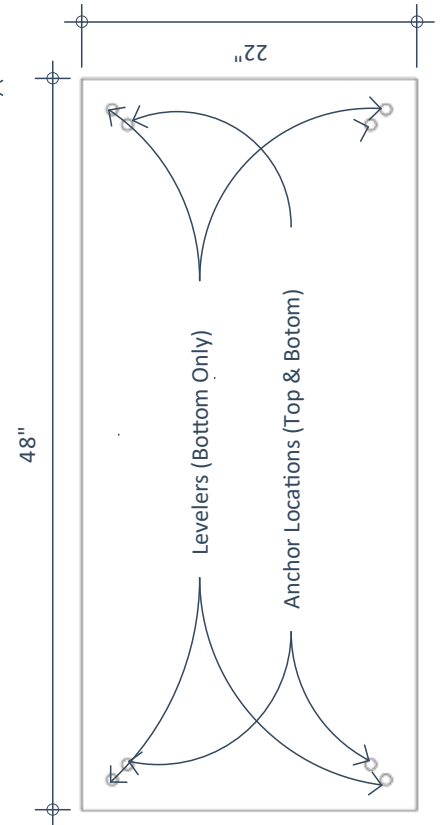
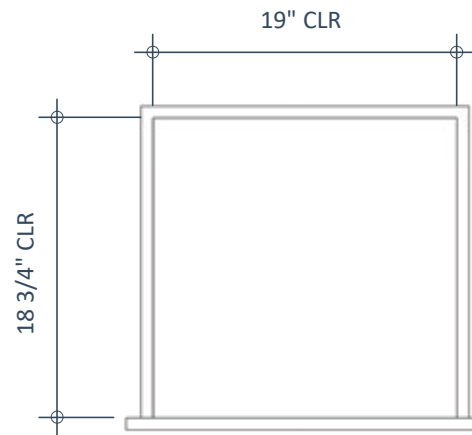
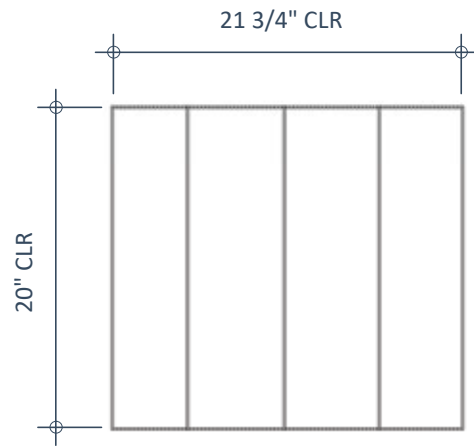
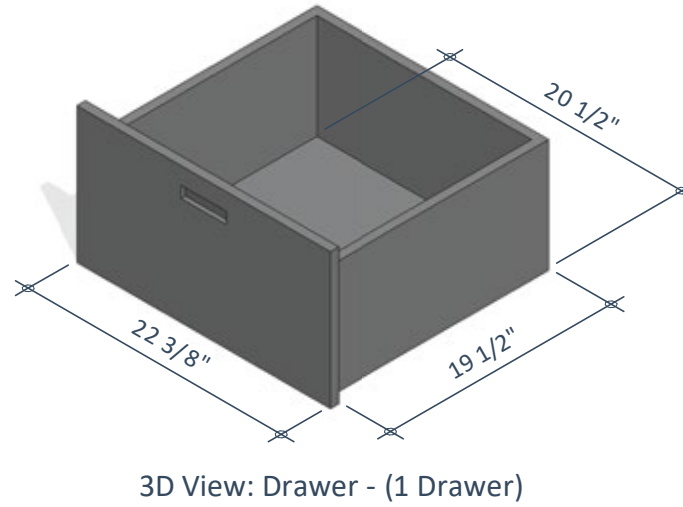
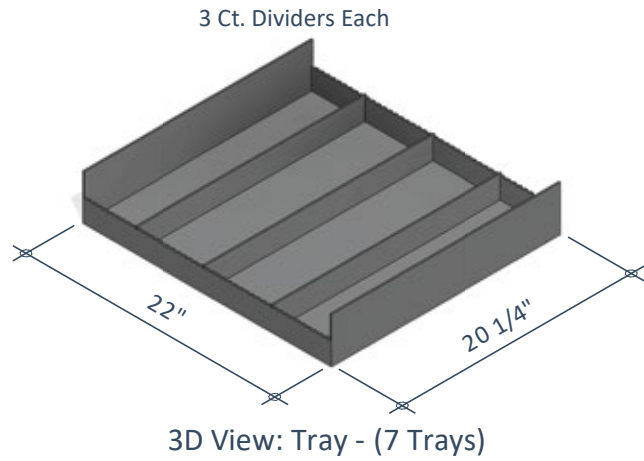


Top View



Front View





NOTES

- (7) Full Extension Pull-Out Shelves w/(3) Dividers Per Shelf, Ribbed Front and Back Lips allow Adjustment of Dividers
- (1) Full Extension Legal Sized Drawer 17" +/- Deep
- "L" Handle w/Heavy Duty 3 Point Latch
- Managers Mechanical Key Lock (Core Interchangeable)
- Digital Combination Lock w/Audit Trail Recording
- Adjustable Levelers
- 4 Point Anchor Locations Top and Bottom

