









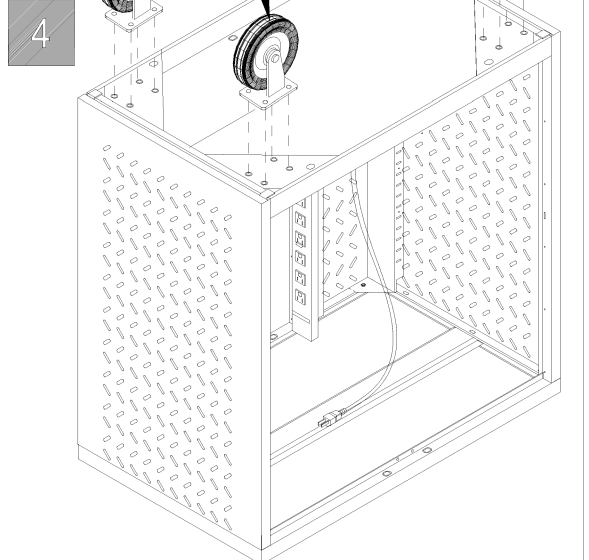
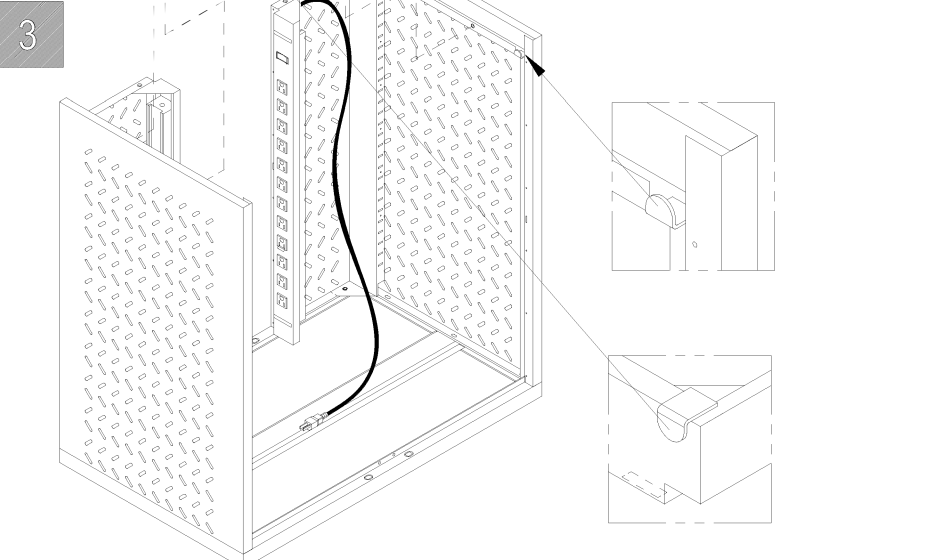
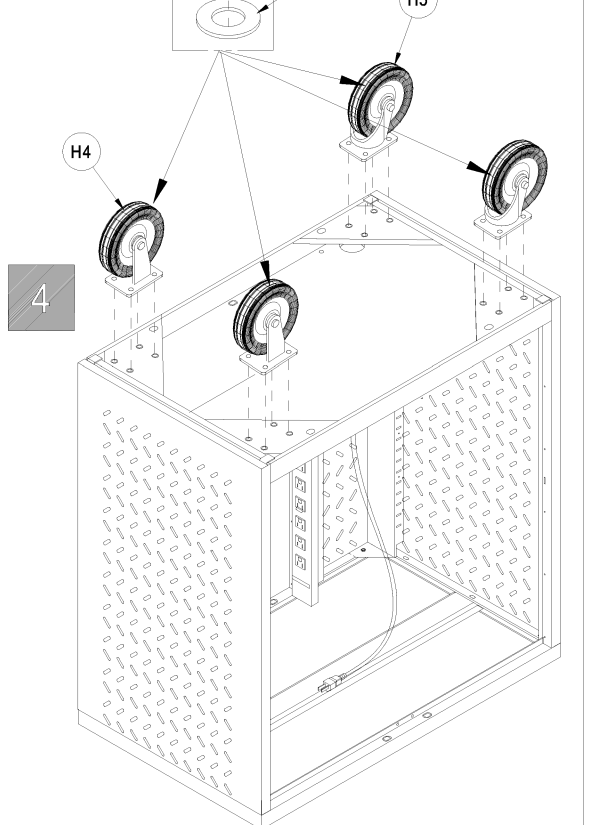
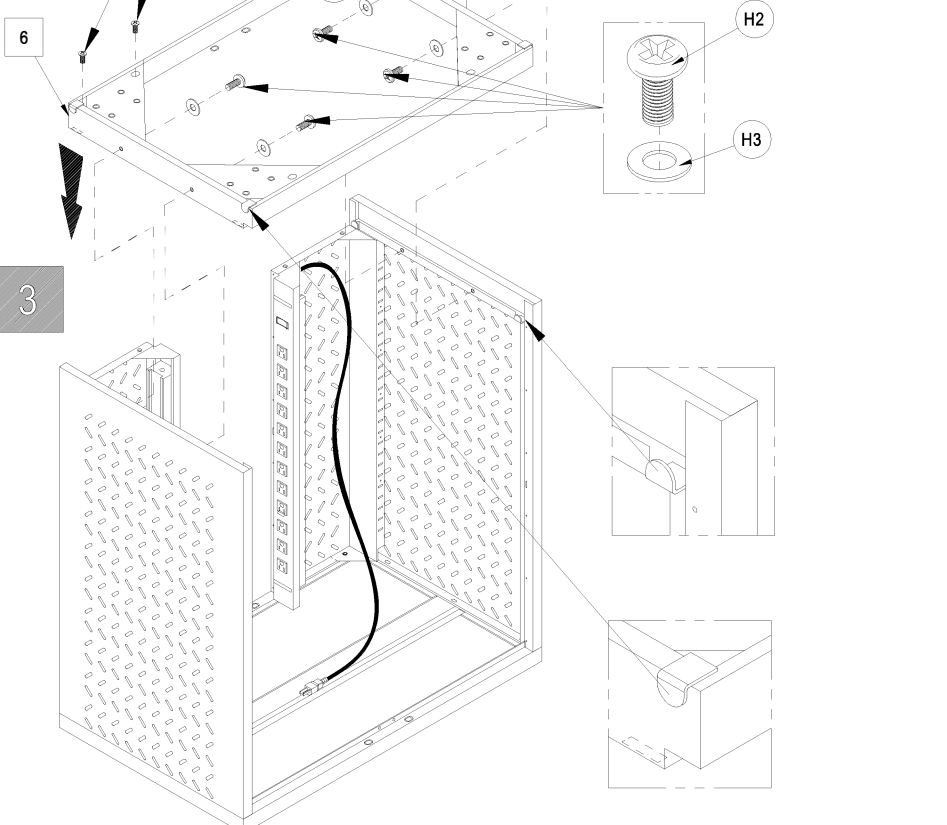
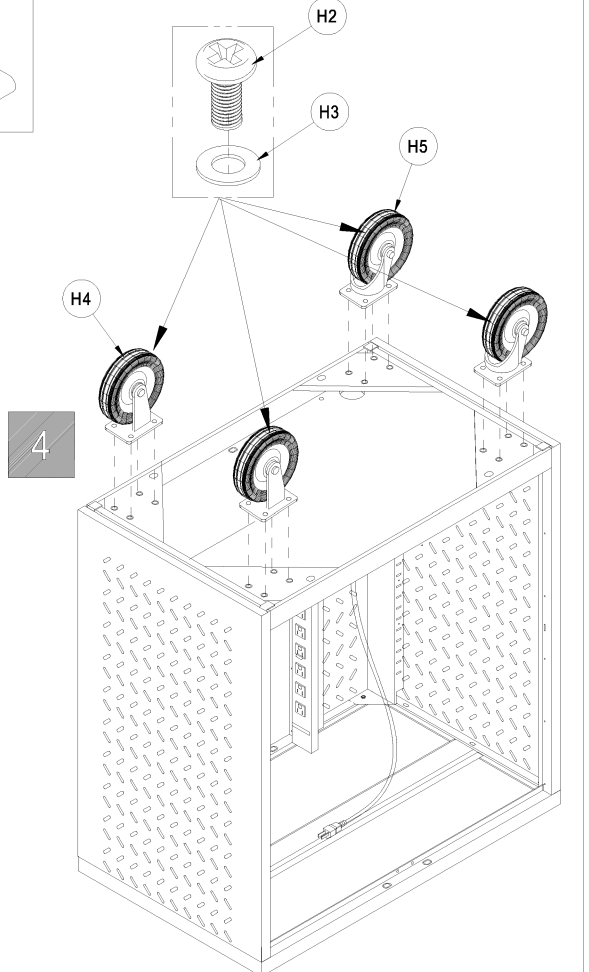
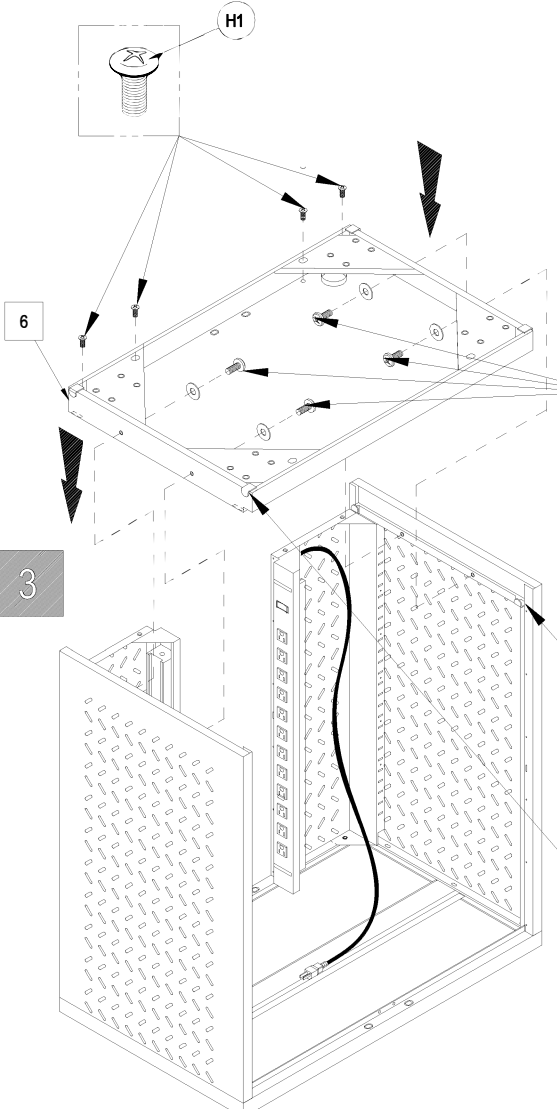
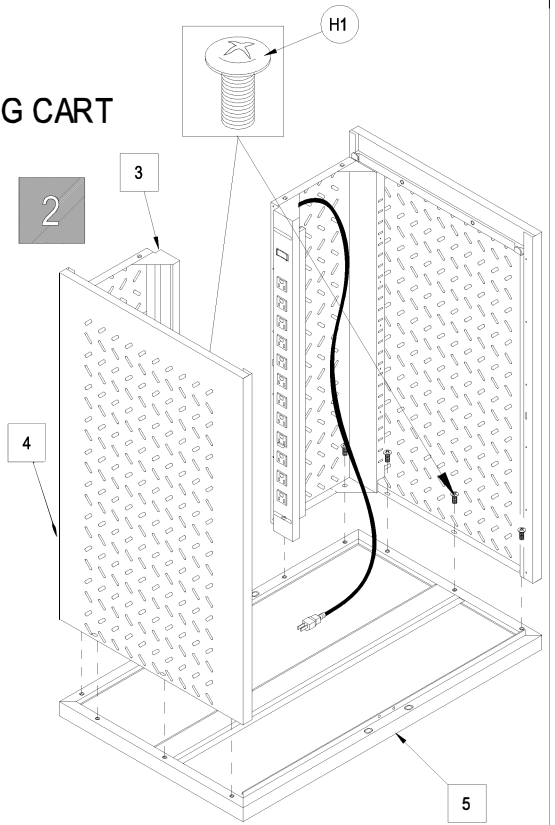
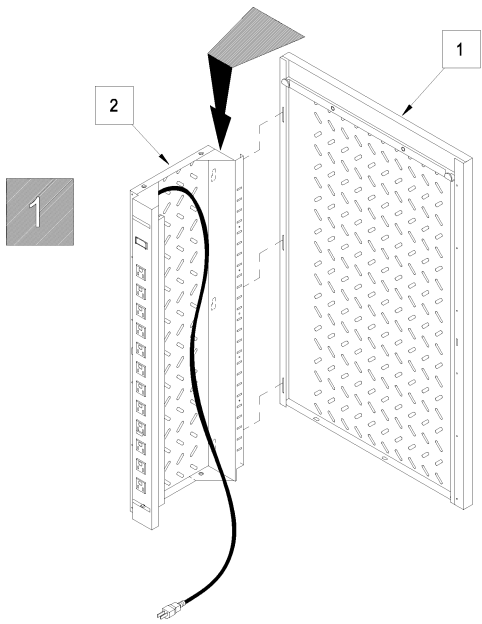
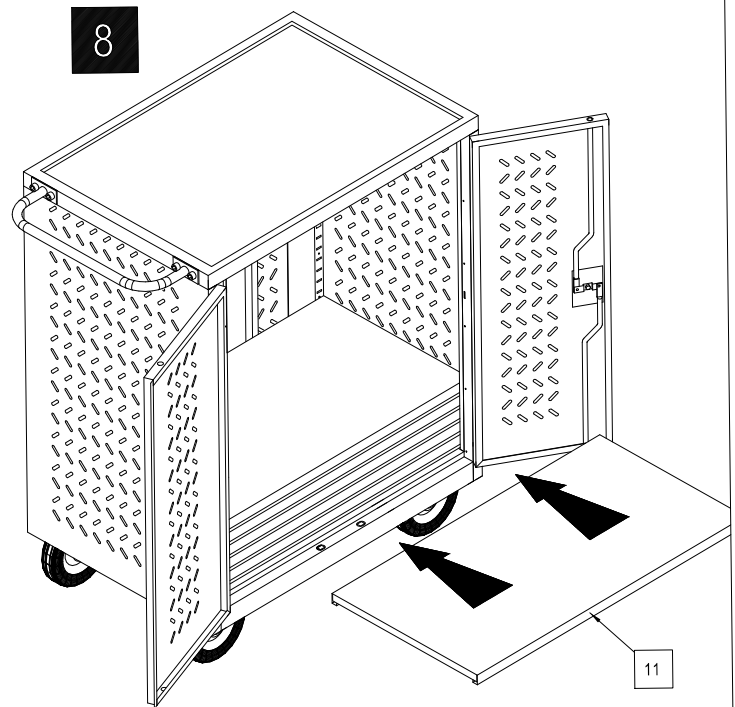
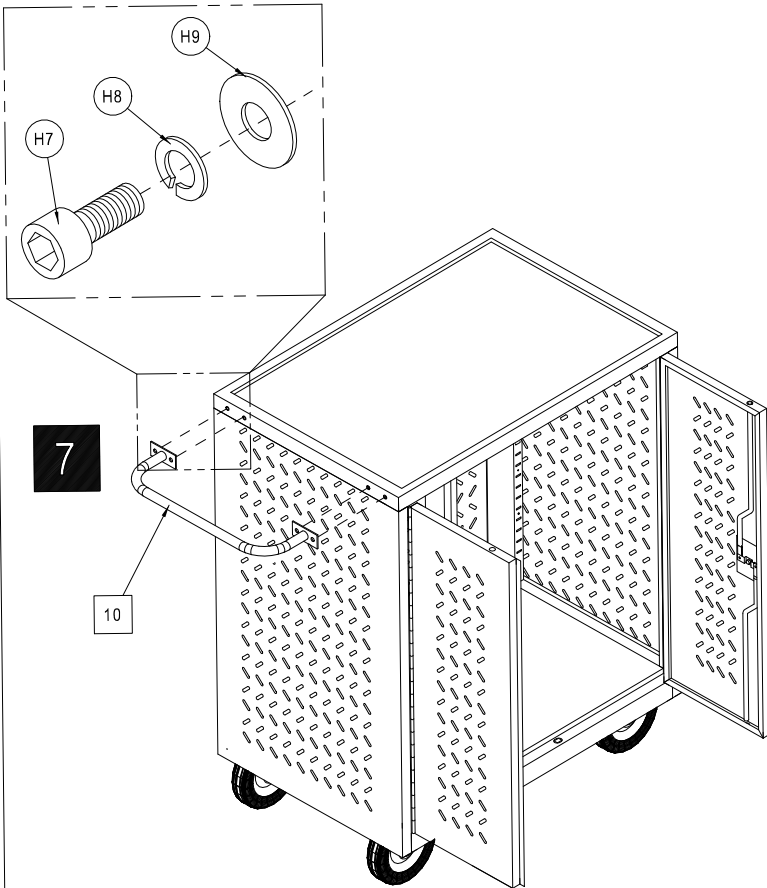
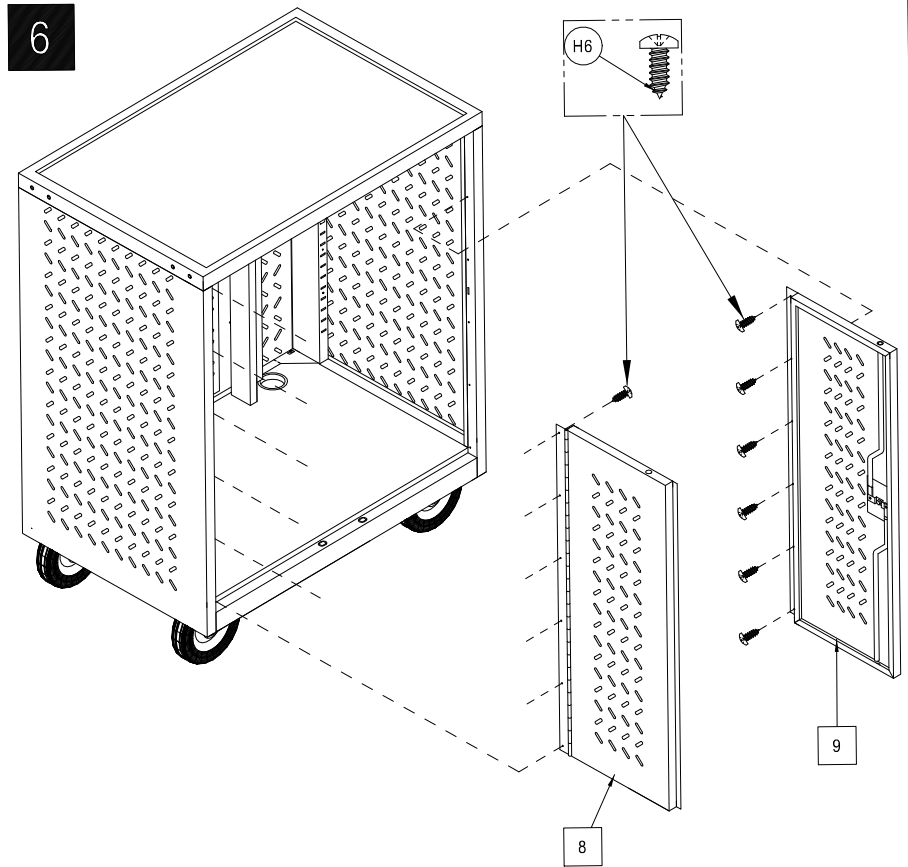
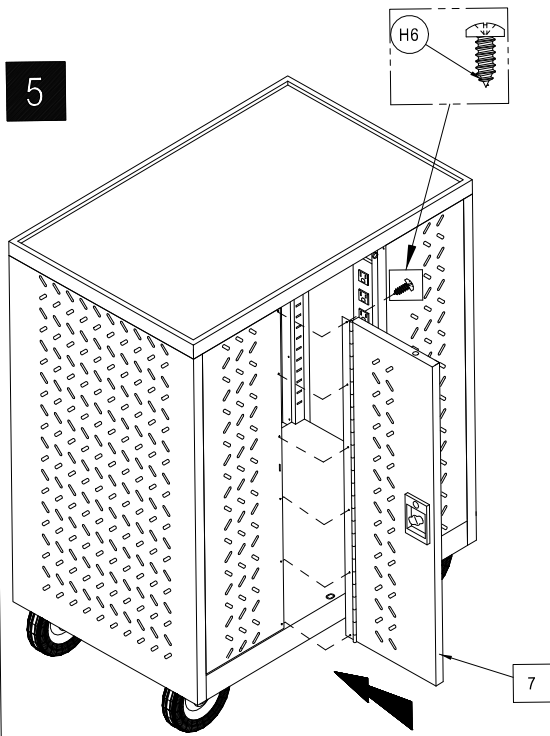
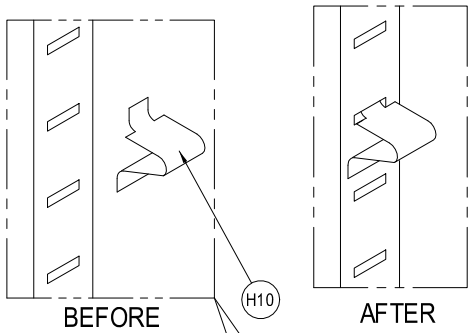


## LAPTOP STORAGE AND CHARGING CART

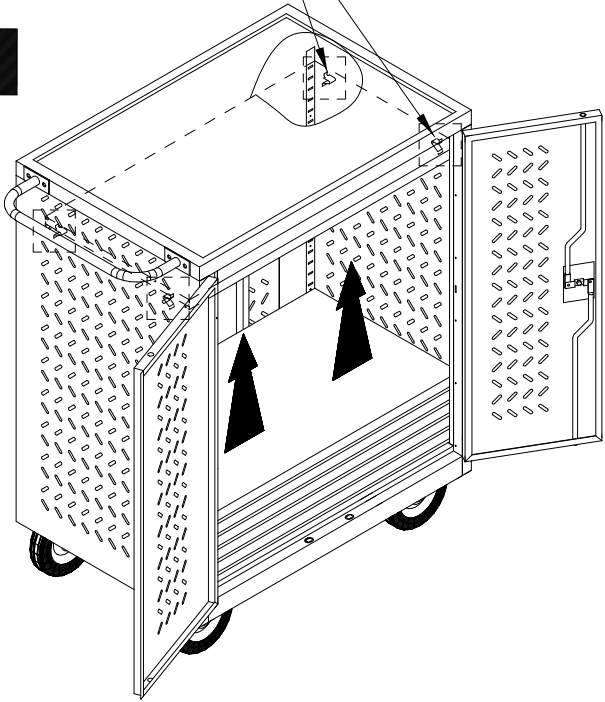
| CONTENTS |      |   |
|----------|------|---|
| REF.     | QTY. | DESCRIPTION   |
| 1        | 1    | LEFT SIDE PANEL   |
| 2        | 1    | LEFT SIDE BACK PANEL  |
| 3        | 1    | RIGHT SIDE BACK PANEL   |
| 4        | 1    | RIGHT SIDE PANEL  |
| 5        | 1    | TOP   |
| 6        | 1    | BOTTOM  |
| 7        | 1    | BACK DOOR   |
| 8        | 1    | LEFT SIDE FRONT DOOR  |
| 9        | 1    | RIGHT SIDE FRONT DOOR   |
| 10       | 1    | HANDLE  |
| 11       | 7    | SHELF   |
| H1       | 14   |    |
| H2       | 20   |    |
| H3       | 20   |    |
| H4       | 2    |    |
| H5       | 2    |    |
| H6       | 18   |    |
| H7       | 4    |    |
| H8       | 4    |  |
| H8       | 4    |  |
| H8       | 28   |  |







9



10

