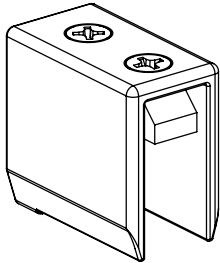
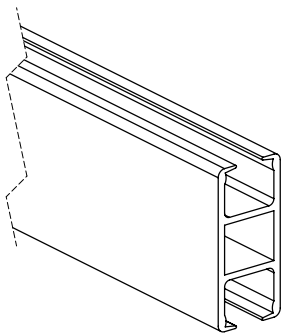


# COMPONENTS

---

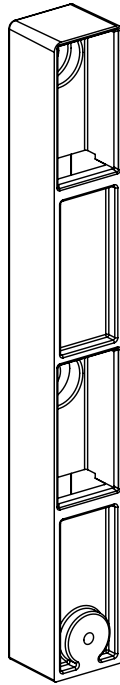


KE-4149-W  
Wall Bracket  
end/cap

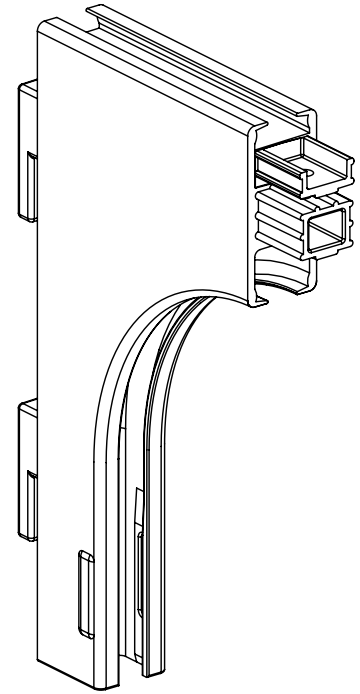


KE-4100-W-66  
CloudRail Cubicle Track

KE-QL-W  
Wall Base & QuickLoad Bracket (assembly)

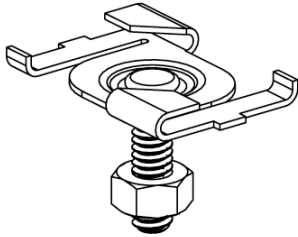


Wall Base



QuickLoad Bracket

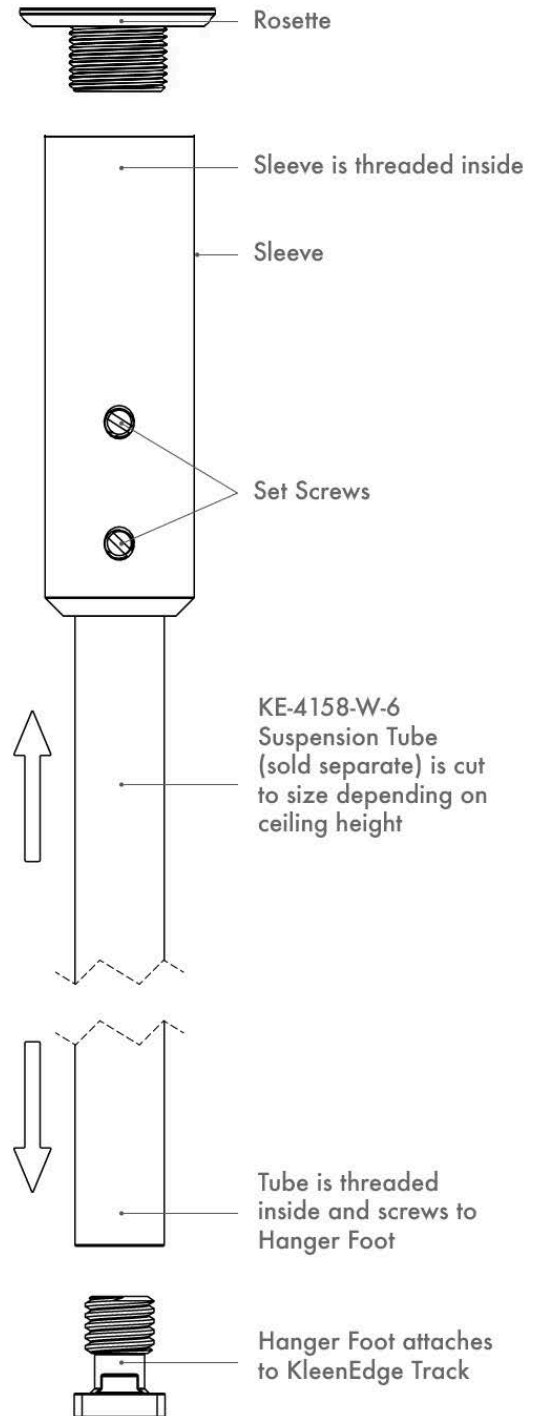
# COMPONENTS



**KE-2300-G**  
Ceiling Grid Clip  
with threaded  
post & nut

**KE-4055-30-W-10**  
Suspension Hanger  
Assembly

Includes: Rosette, Sleeve &  
Hanger Foot

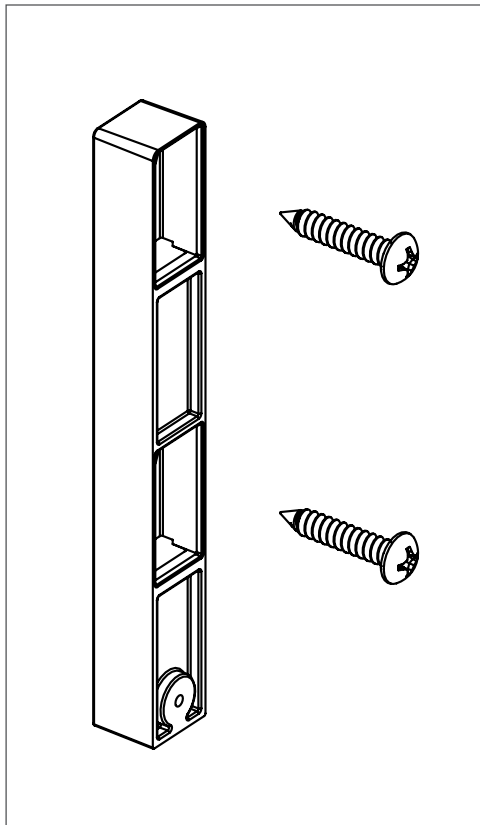


# INSTALLATION: Wall Base Install

## STEP 1

Install the Wall Base of the QuickLoad Bracket, ensuring that the top of Wall Base should be mounted at 85.25" off the floor.

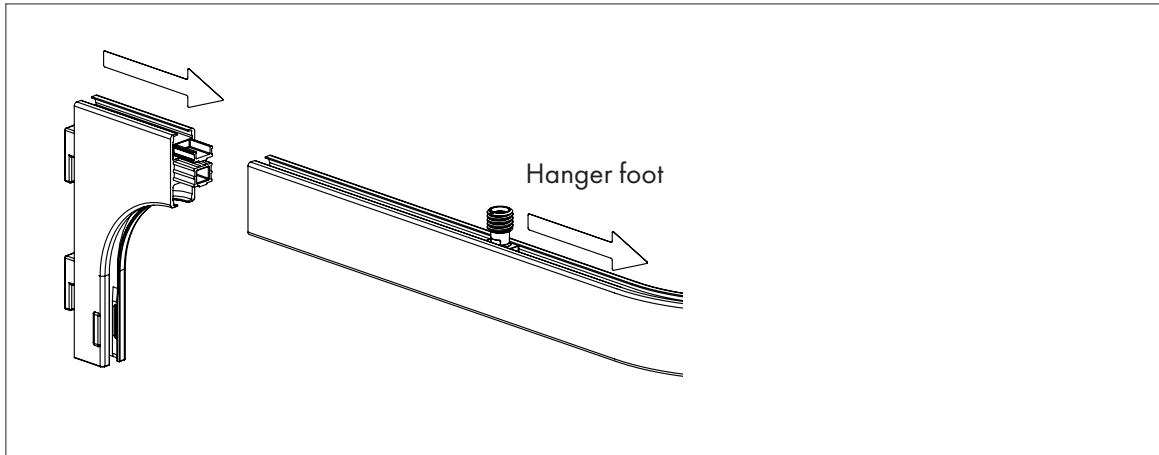
*Note: While screws are provided please verify as screws might have to be substituted depending on field conditions (drywall, concrete block, steel beams, anchor requirements, etc)*



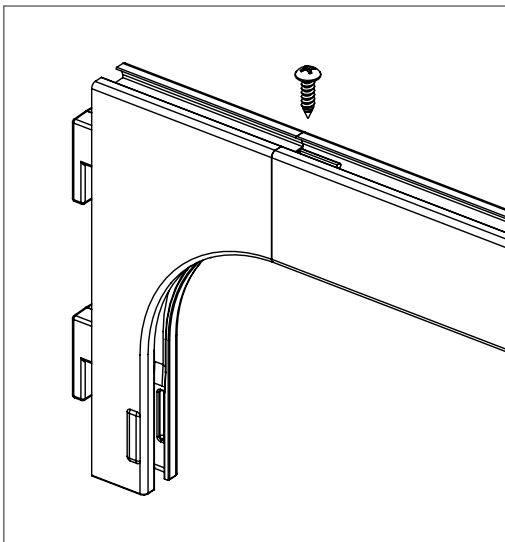
QuickLoad Bracket  
Wall Base

# INSTALLATION: Track Assembly

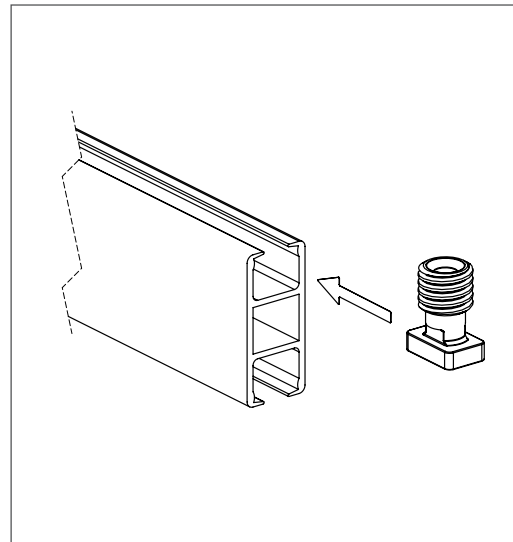
## STEP 2



1. Attach QuickLoad Bracket to the designated end of the track



2. Use a #6 self-tapping screw to secure at top

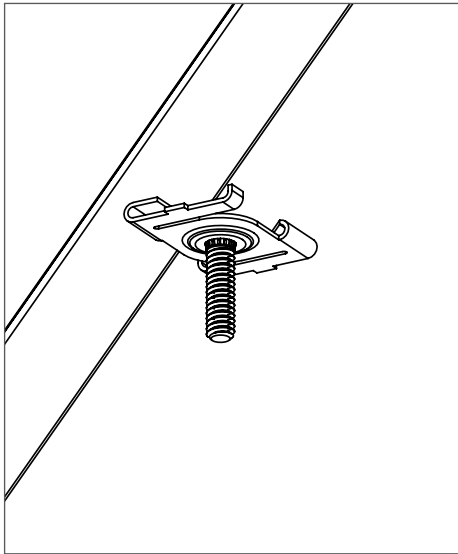


3. Position Hanger Foot into the track and move to approximate desired location & attach to the Suspension Hanger

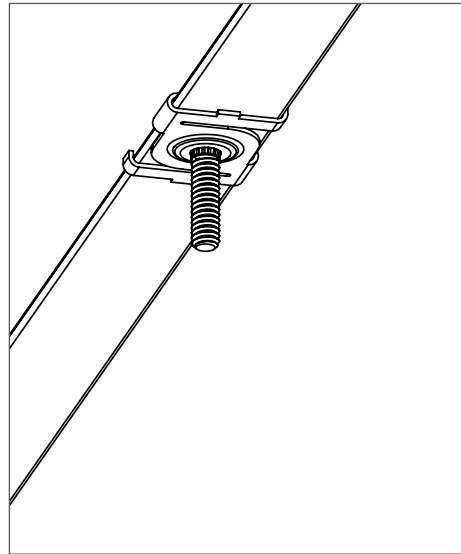
# INSTALLATION: Ceiling Assembly

## STEP 3

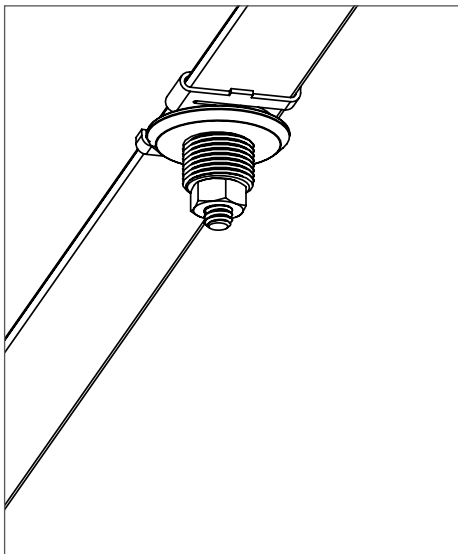
Attach Rosette & Sleeve to the ceiling Grid with Grid Clip



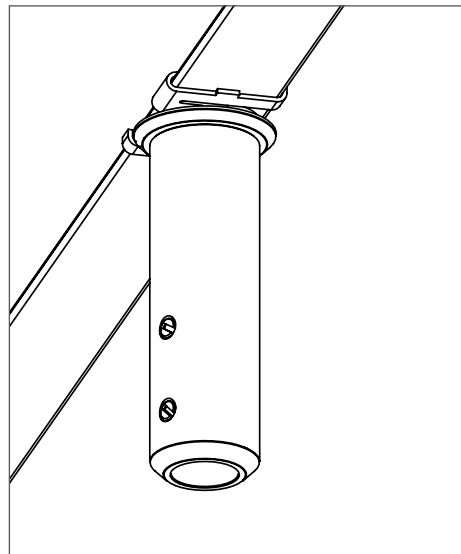
1. Attach grid Clip with threaded post to the desired location  
Approximately 6' from wall



2. Rotate to fasten securely



3. Slide Rosette over the threaded post and secure with nut at the bottom



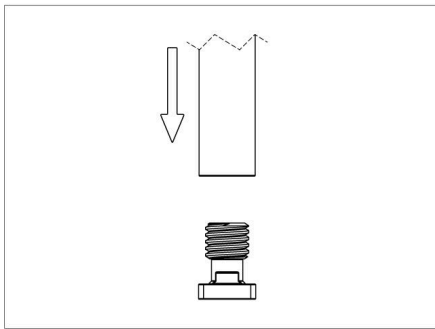
4. Screw Sleeve on to the Rosette

# INSTALLATION: Track Assembly

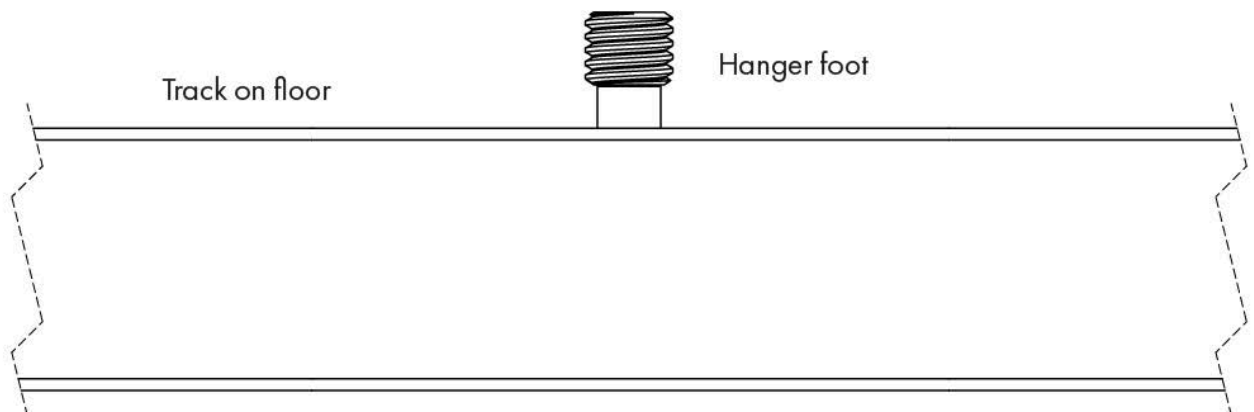
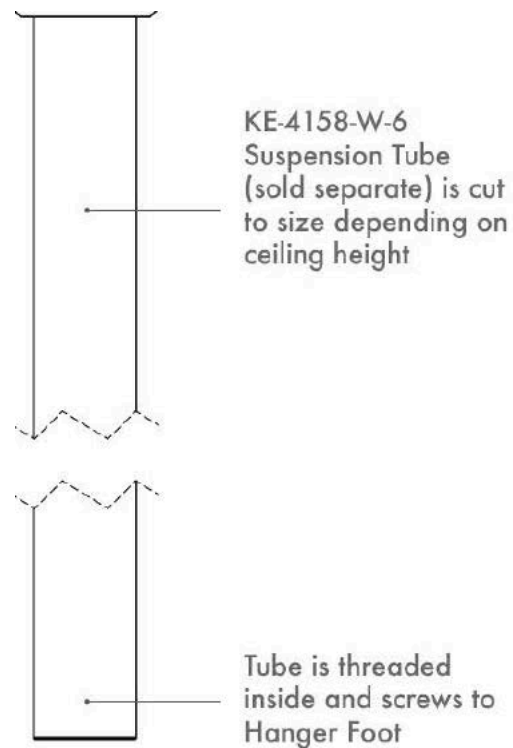
## STEP 4

With track lying on the floor and Hanger Foot at the approximate location based on Sleeve at the ceiling, screw Suspension Tube to Hanger Foot.

*Note: Once attached to the track the top of Suspension tube inserts to bottom of sleeve at the ceiling.*



Screw bottom of Suspension Tube to Hanger Foot in track.



# INSTALLATION: Final Assembly

## STEP 5

To install: Lift the assembled track up; at one end hang the QuickLoad bracket on its Wall Base (Fig. 1), while inserting the Suspension Tube into its Sleeve (Fig. 2)

Secure bottom of QuickLoad Bracket with #6 self-tapping screw (Fig. 1) & secure Suspension Tube in the Sleeve via tightening the two set screws (Fig. 2).

Fig. 1

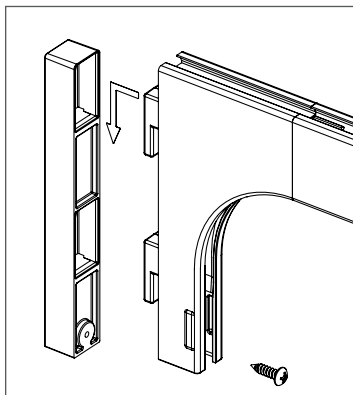
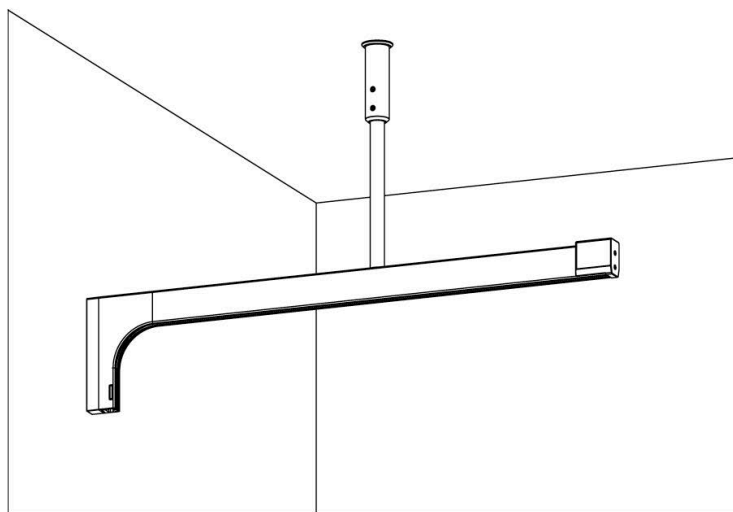
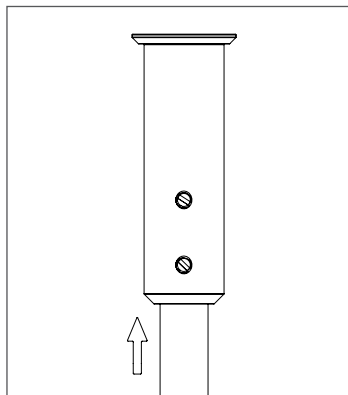


Fig. 2



# Bed Illustration: QuickLoad Privacy Partion Installed

