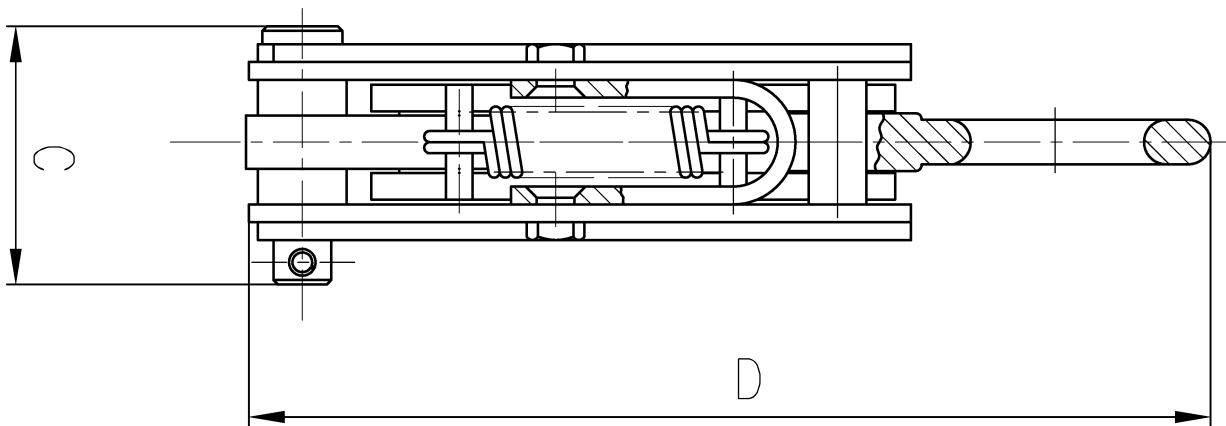
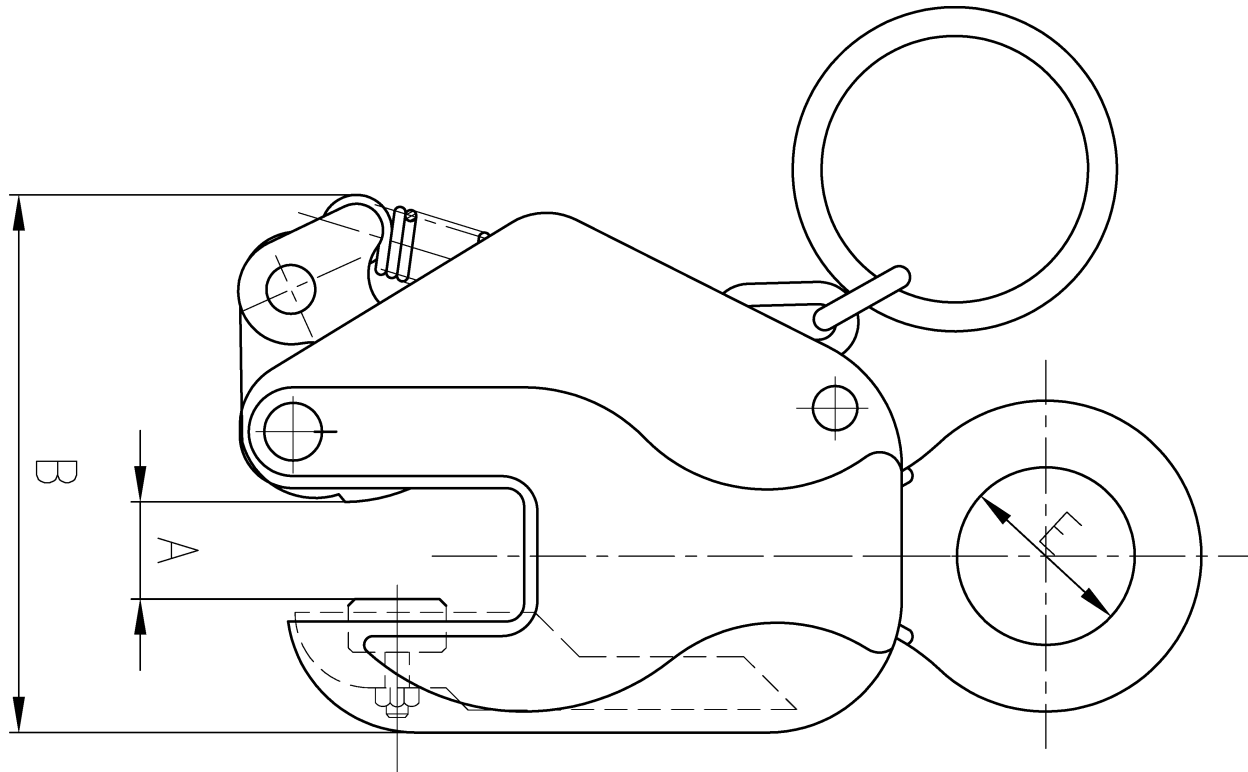


LPC POSITIVE LOCKING PLATE CLAMPS



SMS-46A-HLPC-40



Model	LPC-20	LPC-40	LPC-60
Capacity	2,000 lbs	4,000 lbs	6,000 lbs
Dimensions A max.	$\frac{7}{8}$ "	$1 \frac{3}{16}$ "	$1 \frac{9}{16}$ "
B	$4 \frac{27}{32}$ "	$6 \frac{1}{8}$ "	$7 \frac{5}{32}$ "
C	$2 \frac{9}{16}$ "	$3 \frac{1}{8}$ "	$3 \frac{9}{16}$ "
D	$10 \frac{13}{16}$ "	$12 \frac{13}{32}$ "	14"
E	2"	2"	2"