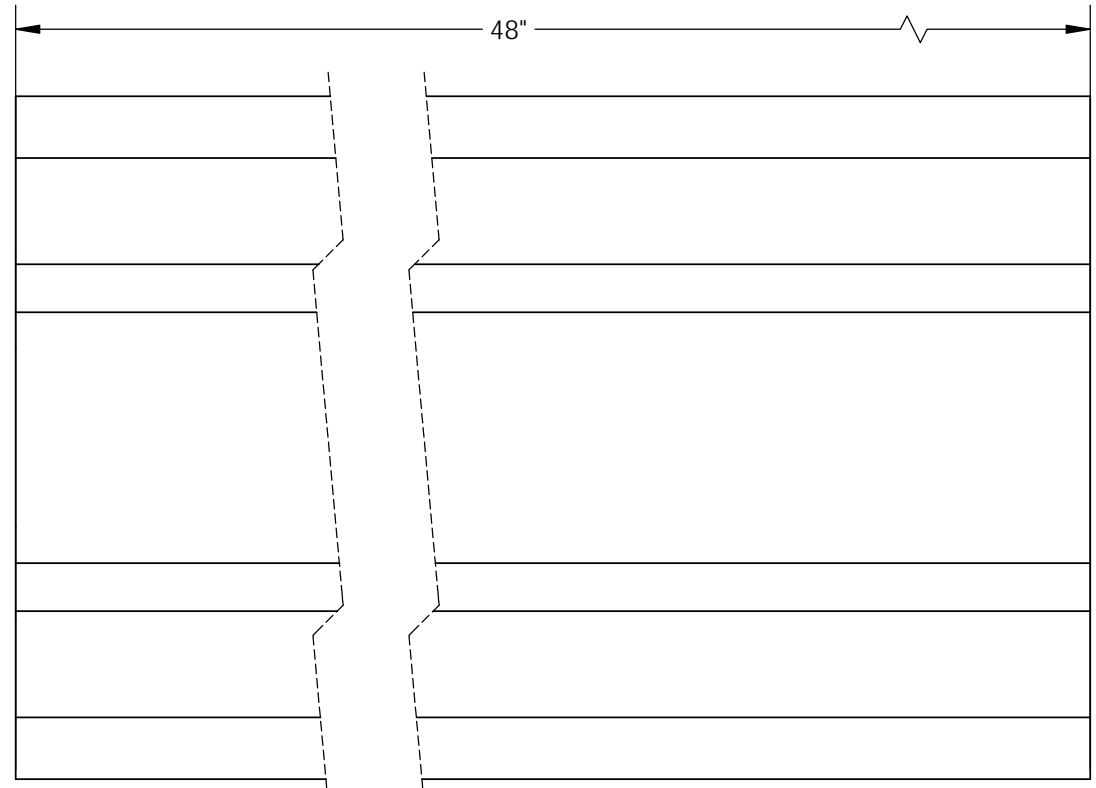
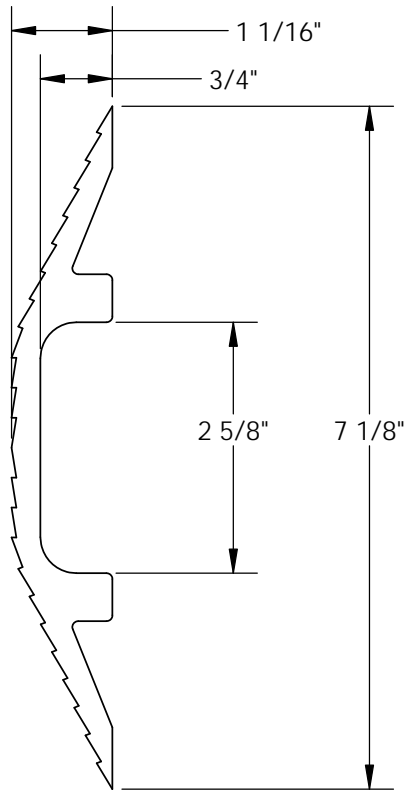


EXTRUDED ALUMINUM HOSE & CABLE CROSSOVER RAMP - SMS-46A-HHCR-48



STANDARD FEATURES

- MODEL NUMBER: SMS-46A-HHCR-48
- SINGLE WHEEL CAPACITY: 10,000 LBS
- OVERALL WIDTH: 7 1/8"
- OVERALL LENGTH: 48"
- OVERALL HEIGHT: 1 1/16"
- USABLE WIDTH: 2 5/8"
- USABLE HEIGHT: 3/4"

