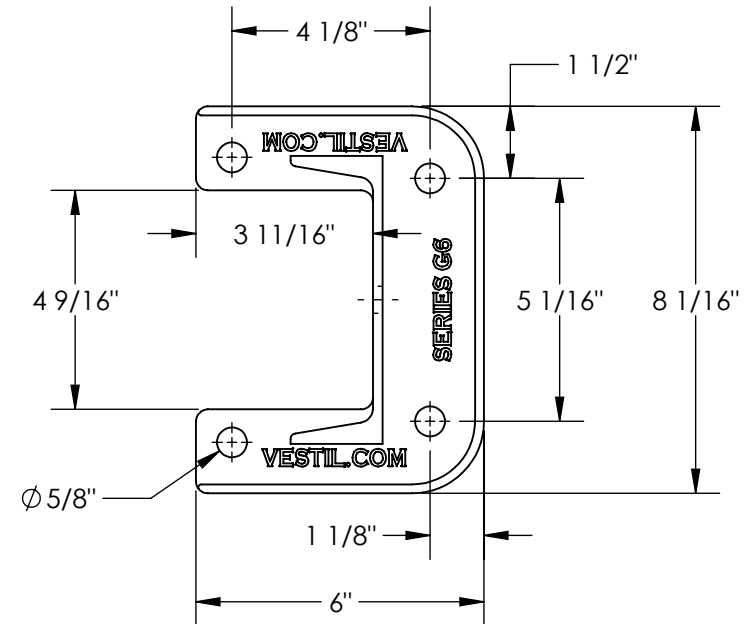
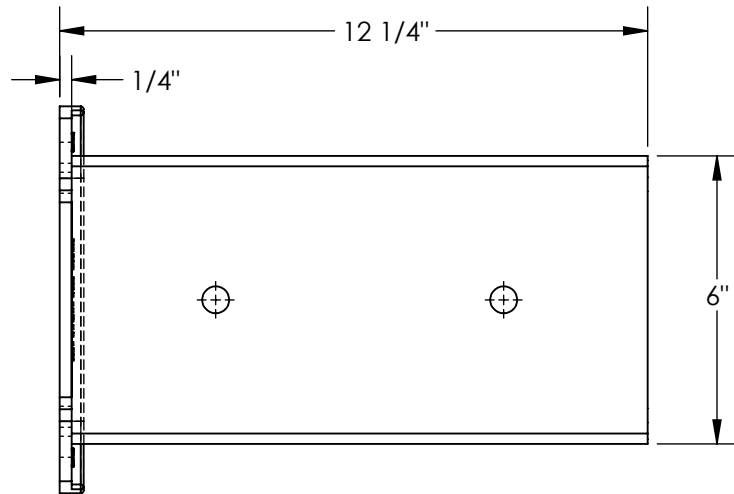
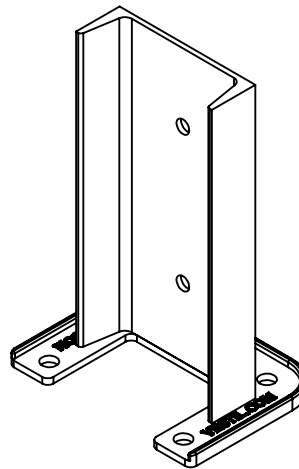


STRUCTURAL RACK GUARD - SMS-46A-HG6-12



STANDARD FEATURES

MODEL NUMBER IS SMS-46A-HG6-12
OVERALL WIDTH IS 8 1/16"
USABLE WIDTH IS 4 9/16"
OVERALL LENGTH IS 6"
USABLE LENGTH IS 3 11/16"
OVERALL HEIGHT IS 12 1/4"
GUARD IS TOUGH BAKED IN
POWDER COATED YELLOW FINISH




STOREMORESTORE

www.StoreMoreStore.com | 855-786-7667