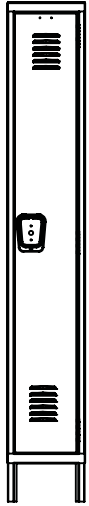
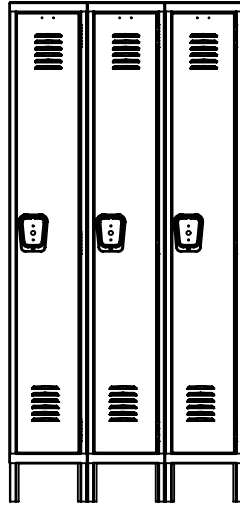


STAINLESS STEEL LOCKERS

1 - TIER



1 - WIDE

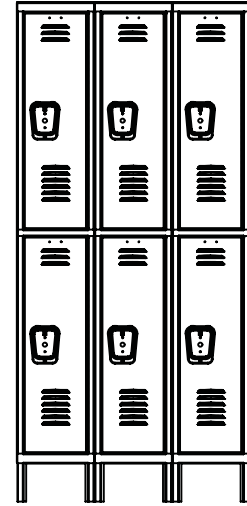


3 - WIDE

2 - TIER



1 - WIDE

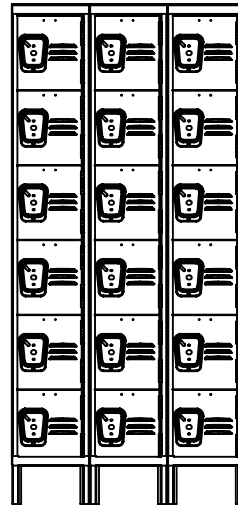


3 - WIDE

6 - TIER



1 - WIDE



3 - WIDE

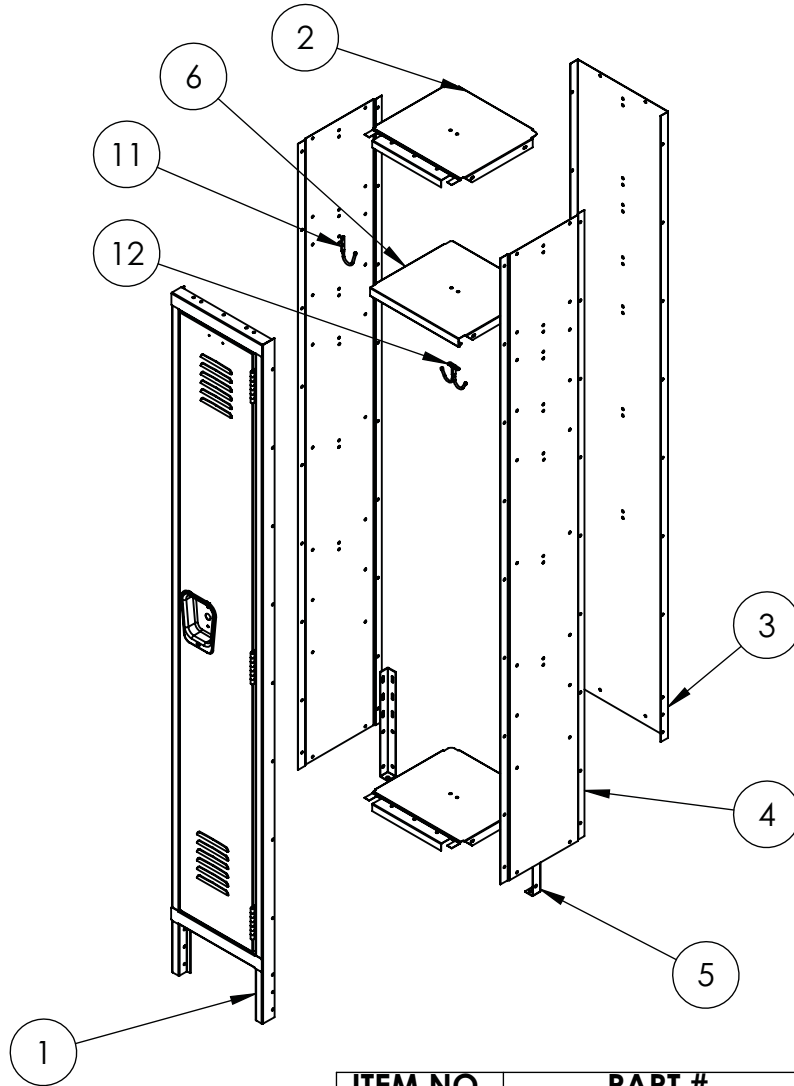
GENERAL INSTRUCTIONS

1. Check material received against the packaging list. First check the number of packages received and then check the contents of each package.
2. Check material received for damage. If damage has occurred, secure a "damage notation" from the carrier.
3. Identify each part as it is unpacked and put like parts together as close as possible to the working area in which they are to be assembled.
4. Be careful to use the correct hardware as specified in the assembly instructions.
5. Items with suffix (xx) are available options.

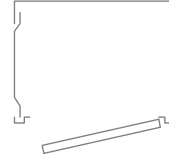
CAUTION

IN THE INTEREST OF SAFETY, ALL LOCKERS MUST BE SECURELY ANCHORED TO THE FLOOR AND/OR WALL. FOR SAFETY, HANDLE ALL COMPONENTS CAREFULLY AND WEAR WORK-GLOVES WHEN ASSEMBLING LOCKERS. INSTALL ALL UNITS PLUMB AND TIGHTEN ALL HARDWARE SECURELY. RETAIN INSTRUCTIONS FOR FUTURE REFERENCE.

1 TIER STAINLESS STEEL LOCKER

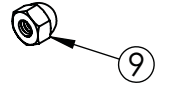
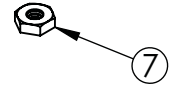


TOP VIEW OF 1-WIDE
FOLLOW BASIC INSTRUCTIONS
FROM 3-WIDE ASSEMBLY



SIDE PANELS
MUST GO
INSIDE REAR PANEL
AND INSIDE
FRAME.

HARDWARE



LEGEND
ww = width

ITEM NO.	PART #	DESCRIPTION	QTY
1	PPDF6ww78LV-SS	DOOR/FRAME	1
2	PPTBww18SS	TOP/BOTTOM	3
3	PPBPww72SS	BACK PANEL	1
4	PPSP1872SS	SIDE PANEL	2
5	PPRL06SS	REAR LEGS	2
6	PPHSww18SS	HAT SHELF	5
7	N201	10-24 HEX NUT	67
8	MBT200	10-24 X 3/8	69
9	N110	10-24 DOME NUT	2
10	RPE100	ESCUTCHEON PLATE	1
11	H6K	WALL HOOK	2
12	H7K	CEILING HOOK	1

HALLOWELL MAKES EVERY EFFORT TO ENSURE THAT ALL UNITS SHIP COMPLETE. HOWEVER, SHOULD YOUR UNIT CONTAIN MISSING OR DAMAGED PARTS, REPLACEMENTS MAY BE OBTAINED FROM HALLOWELL. TO OBTAIN PARTS, FOLLOW THESE INSTRUCTIONS:

PROVIDE THE FOLLOWING:

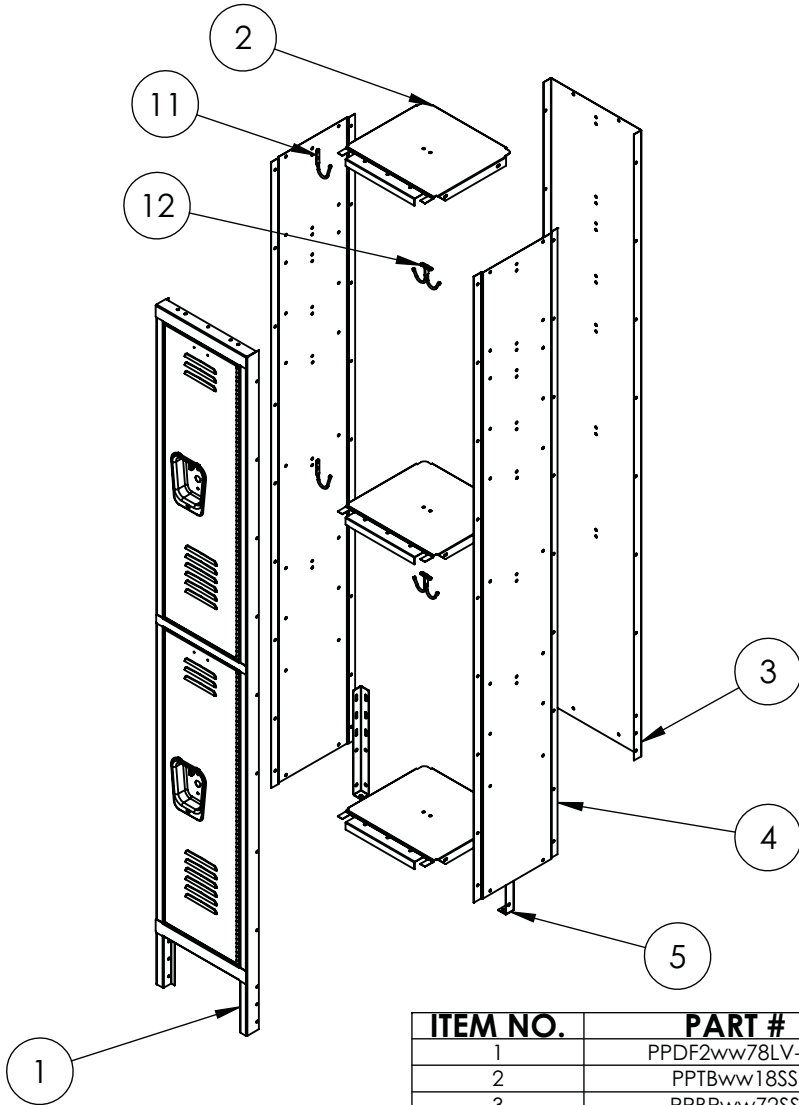
MODEL NUMBER
PURCHASE DATE
DESCRIPTION OF PART(S) NEEDED & PART NUMBER(S) AS SHOWN IN PARTS LIST

COMPANY NAME & CONTACT PERSON
WHERE THE PRODUCT WAS PURCHASED

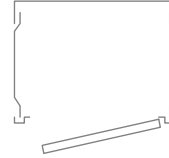
IF REQUESTING PARTS BY TELEPHONE, ASK FOR CUSTOMER SERVICE & PROVIDE THE ABOVE INFORMATION.

STOREMORESTORE
Efficient Productive Storage Products
1-855-786-7667
www.StoreMoreStore.com

2 TIER STAINLESS STEEL LOCKER

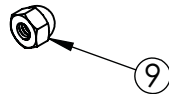
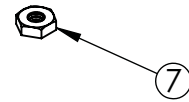


TOP VIEW OF 1-WIDE
FOLLOW BASIC INSTRUCTIONS
FROM 3-WIDE ASSEMBLY



SIDE PANELS
MUST GO
INSIDE REAR PANEL
AND INSIDE
FRAME.

HARDWARE



LEGEND
ww = width

ITEM NO.	PART #	DESCRIPTION	QTY
1	PPDF2ww78LV-SS	DOOR/FRAME	1
2	PPTBww18SS	TOP/BOTTOM	3
3	PPBPww72SS	BACK PANEL	1
4	PPSP1872SS	SIDE PANEL	2
5	PPRL06SS	REAR LEGS	2
7	N201	10-24 HEX NUT	76
8	MBT200	10-24 X 3/8	80
9	N110	10-24 DOME NUT	4
10	RPE100	ESCUTCHEON PLATE	2
11	H6K	WALL HOOK	4
12	H7K	CEILING HOOK	2

HALLOWELL MAKES EVERY EFFORT TO ENSURE THAT ALL UNITS SHIP COMPLETE. HOWEVER, SHOULD YOUR UNIT CONTAIN MISSING OR DAMAGED PARTS, REPLACEMENTS MAY BE OBTAINED FROM HALLOWELL. TO OBTAIN PARTS, FOLLOW THESE INSTRUCTIONS:

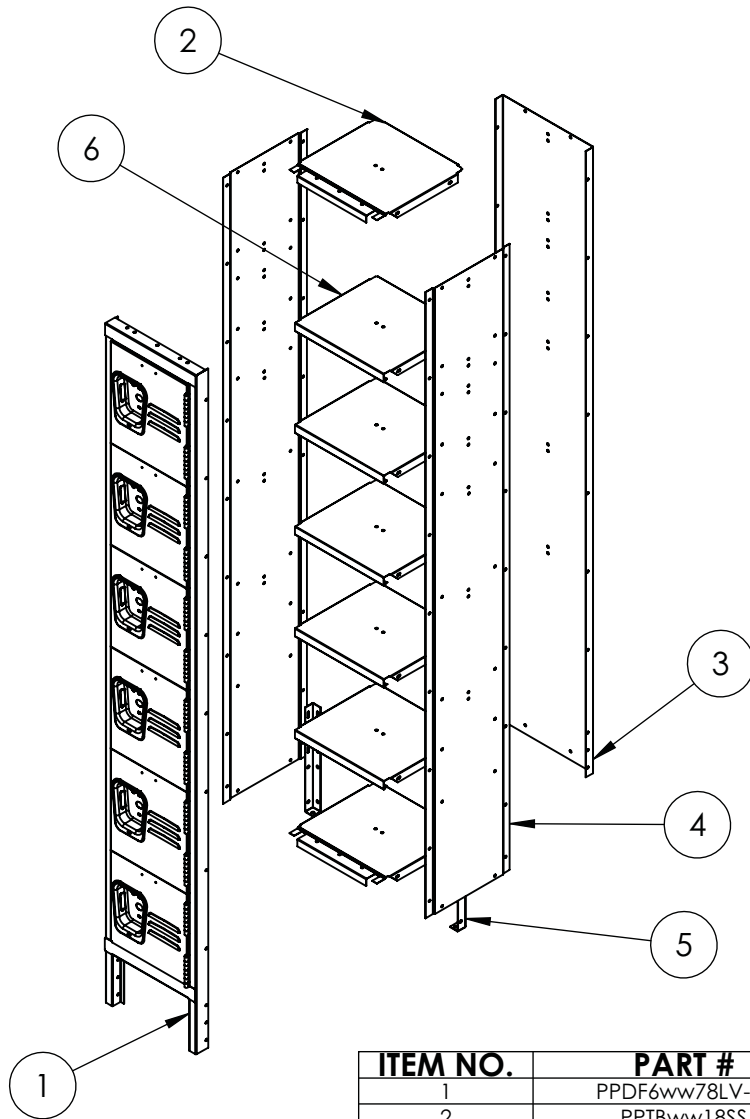
PROVIDE THE FOLLOWING:

MODEL NUMBER COMPANY NAME & CONTACT PERSON
PURCHASE DATE WHERE THE PRODUCT WAS PURCHASED
DESCRIPTION OF PART(S) NEEDED & PART NUMBER(S) AS SHOWN IN PARTS LIST

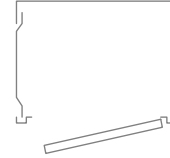
IF REQUESTING PARTS BY TELEPHONE, ASK FOR CUSTOMER SERVICE & PROVIDE THE ABOVE INFORMATION.


STOREMORESTORE
 Efficient Productive Storage Products
 1-855-786-7667
www.StoreMoreStore.com

6 TIER STAINLESS STEEL LOCKER

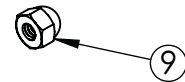
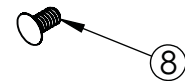
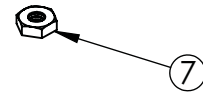


TOP VIEW OF 1-WIDE
FOLLOW BASIC INSTRUCTIONS
FROM 3-WIDE ASSEMBLY



SIDE PANELS
MUST GO
INSIDE REAR PANEL
AND INSIDE
FRAME.

HARDWARE



LEGEND
ww = width

ITEM NO.	PART #	DESCRIPTION	QTY
1	PPDF6ww78LV-SS	DOOR/FRAME	1
2	PPTBww18SS	TOP/BOTTOM	3
3	PPBPww72SS	BACK PANEL	1
4	PPSP1872SS	SIDE PANEL	2
5	PPRL06SS	REAR LEGS	2
6	PPHSww18SS	HAT SHELF	5
7	N201	10-24 HEX NUT	90
8	MBT200	10-24 X 3/8	102
9	N110	10-24 DOME NUT	12
10	RPE100	ESCUTCHEON PLATE	6

HALLOWELL MAKES EVERY EFFORT TO ENSURE THAT ALL UNITS SHIP COMPLETE. HOWEVER, SHOULD YOUR UNIT CONTAIN MISSING OR DAMAGED PARTS, REPLACEMENTS MAY BE OBTAINED FROM HALLOWELL. TO OBTAIN PARTS, FOLLOW THESE INSTRUCTIONS:

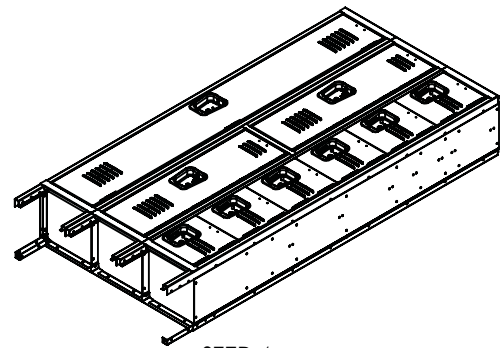
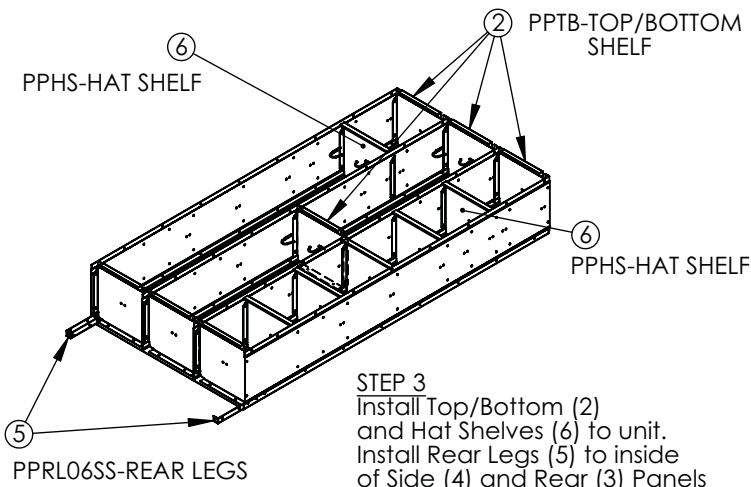
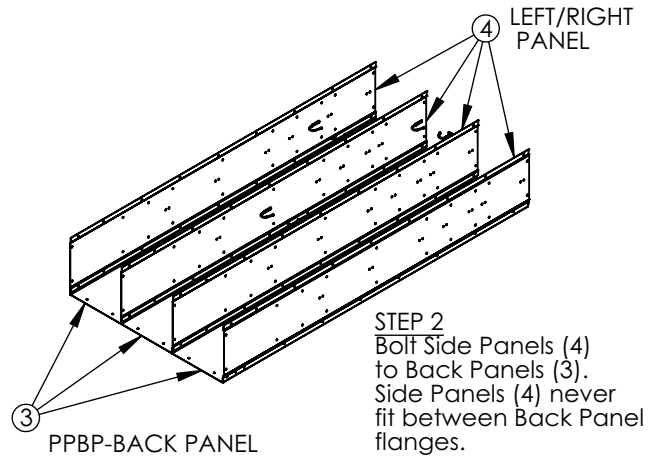
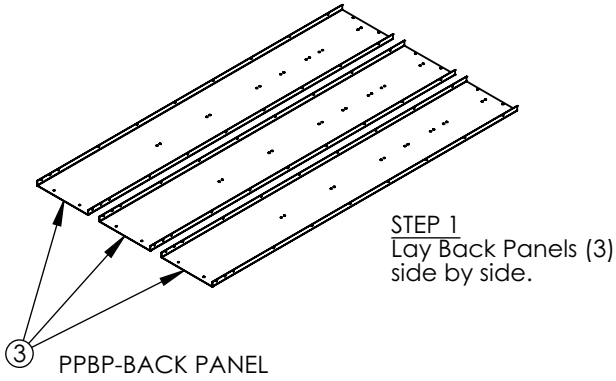
PROVIDE THE FOLLOWING:

MODEL NUMBER COMPANY NAME & CONTACT PERSON
PURCHASE DATE WHERE THE PRODUCT WAS PURCHASED
DESCRIPTION OF PART(S) NEEDED & PART NUMBER(S) AS SHOWN IN PARTS LIST

IF REQUESTING PARTS BY TELEPHONE, ASK FOR CUSTOMER SERVICE & PROVIDE THE ABOVE INFORMATION.

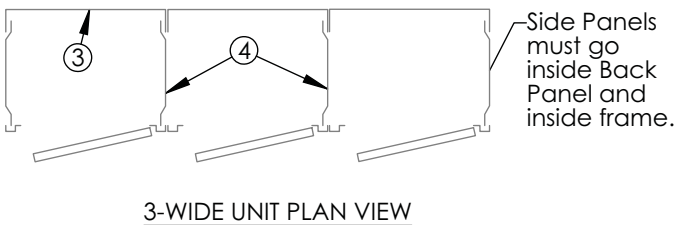

STOREMORESTORE
 Efficient Productive Storage Products
 1-855-786-7667
 www.StoreMoreStore.com

GENERAL ASSEMBLY OF STAINLESS STEEL LOCKERS

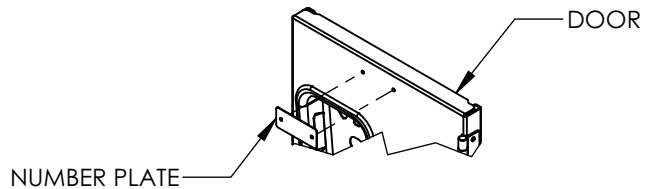


NOTE: When bolting one unit to another,
omit one set of bolts in end frame
and side to minimize growth from
bolt heads.

ASSEMBLY OF SINGLE ROW LOCKERS NEVER PUT SIDE PANEL BETWEEN FRAME



ATTACH NUMBER PLATE WITH RIVETS



HARWARE



10-24 X 3/8 SLOTLESS BOLT
MBT200



10-24 HEX NUT
N201

STOREMORESTORE
Efficient Productive Storage Products
1-855-786-7667
www.StoreMoreStore.com