

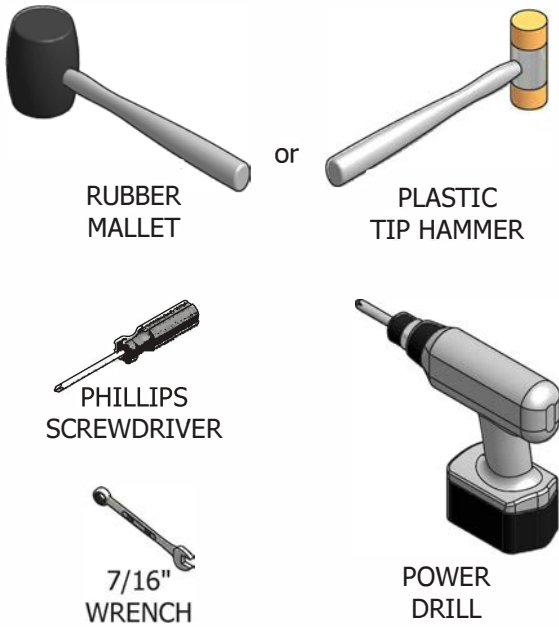
# 4POST HINGED ADD-ON DOORS



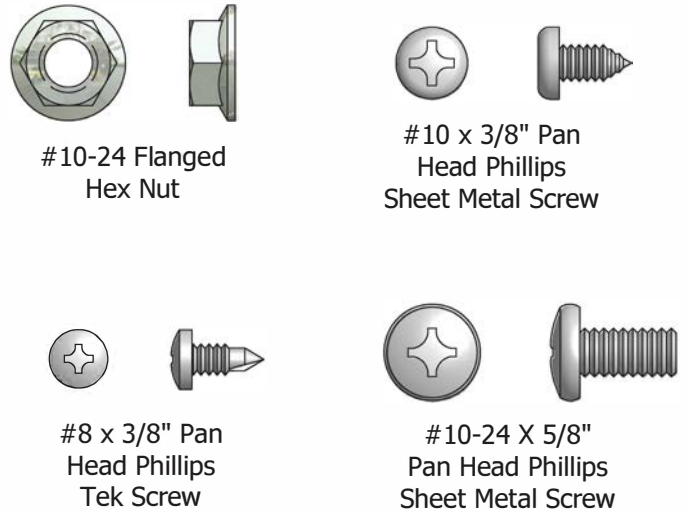
# 4POST HINGED ADD-ON DOORS

PLEASE OPEN ALL BOXES AND MAKE SURE THAT YOU HAVE ALL REQUIRED COMPONENTS READ ALL INSTRUCTIONS BEFORE STARTING ASSEMBLY

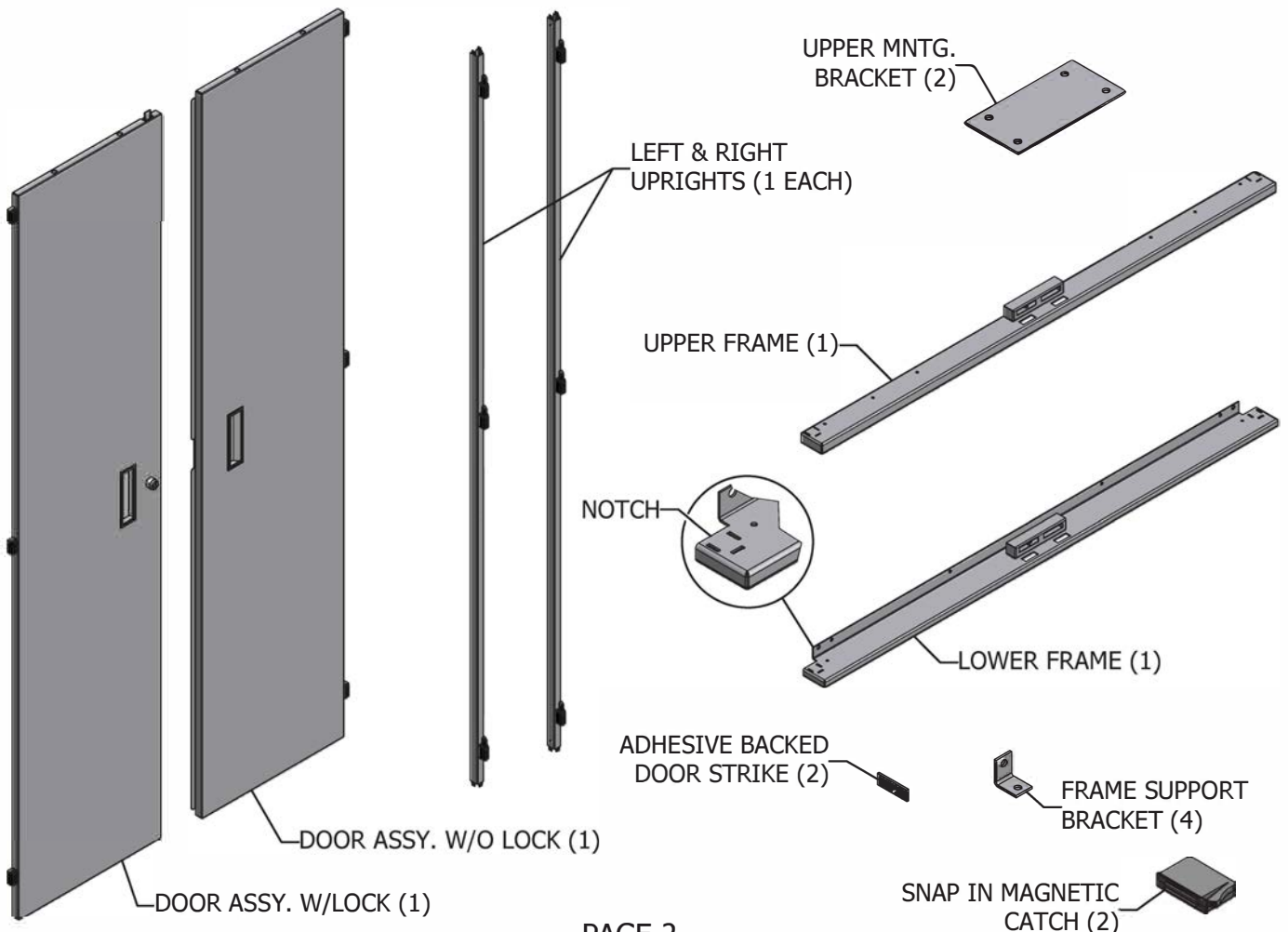
## TOOLS REQUIRED FOR ASSEMBLY



## INCLUDED HARDWARE

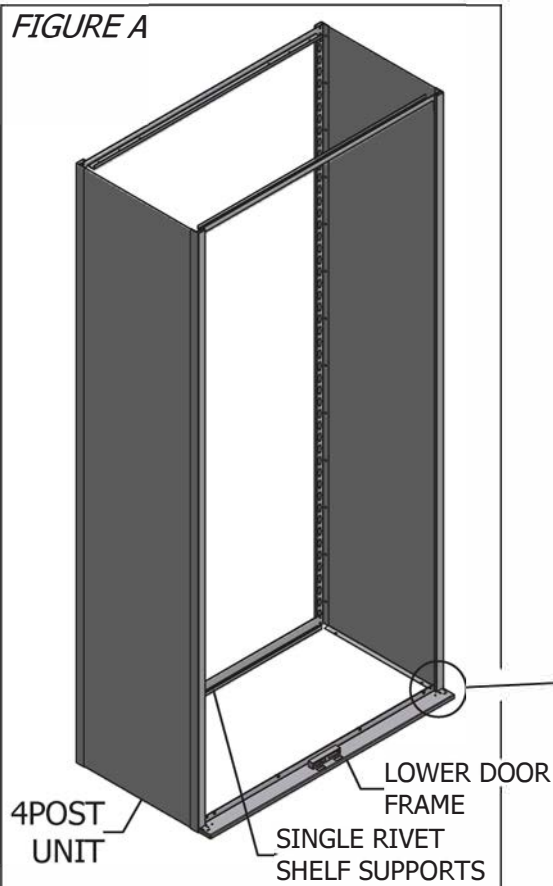


## COMPONENTS



# 4POST HINGED ADD-ON DOORS

FIGURE A



**STEP 1:**

PLACE LOWER FRAME ON FLOOR IN FRONT OF 4POST UNIT AND THEN SLIDE FRAME IN AGAINST SHELF SUPPORT AS SHOWN IN FIGURE A & DETAIL B (SIMILAR FOR 4POST UNITS WITH KICK PLATES ON BOTTOM OF UNIT). MAKE SURE BASE IS CENTERED BETWEEN UPRIGHTS AND THEN USE POWER DRILL AND (4) #8 TEK SCREWS TO ATTACH FRAME TO SUPPORT (OR KICK PLATE) AS SHOWN IN DETAIL B.

DETAIL B

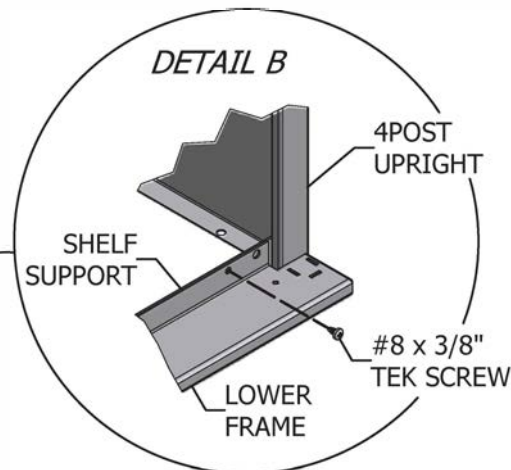
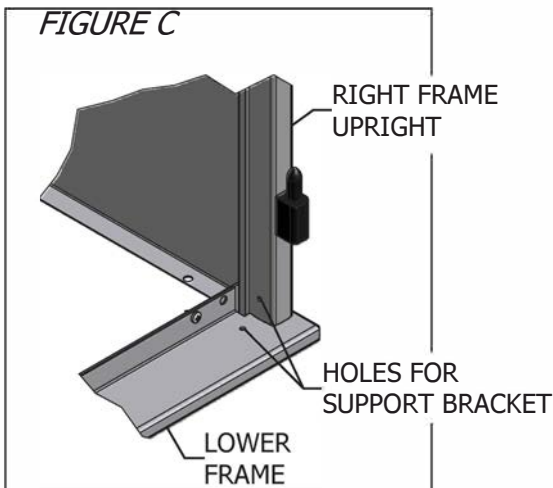


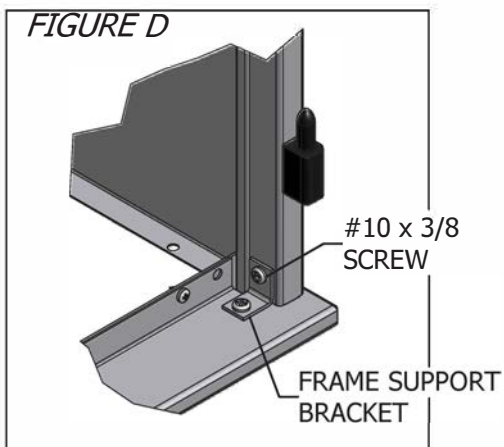
FIGURE C



**STEP 2:**

INSERT RIGHT UPRIGHT INTO SLOTS ON LOWER FRAME AS SHOWN IN FIGURE C MAKING SURE TO HAVE THE HOLES FOR THE SUPPORT BRACKETS AND DOOR HINGES ORIENTED AS SHOWN.

FIGURE D



**STEP 3:**

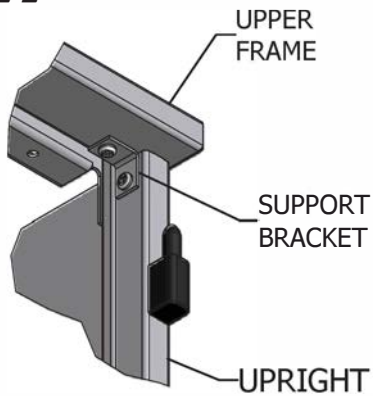
ATTACH UPRIGHT TO LOWER FRAME USING FRAME SUPPORT BRACKET AND #10 x 3/8" SCREWS AS SHOWN IN FIGURE D.

**STEP 4:**

REPEAT STEPS 2 & 3 TO ATTACH LEFT UPRIGHT TO LOWER FRAME

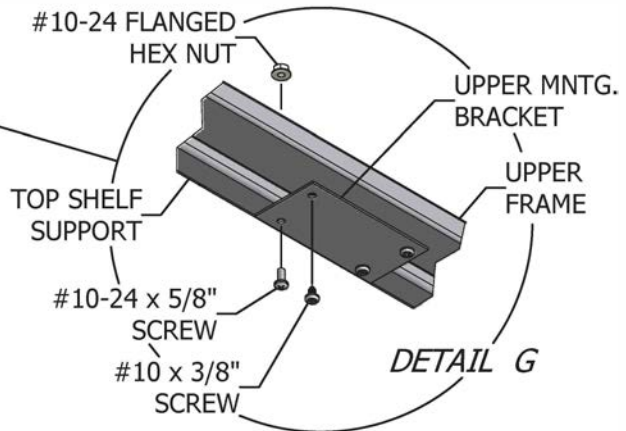
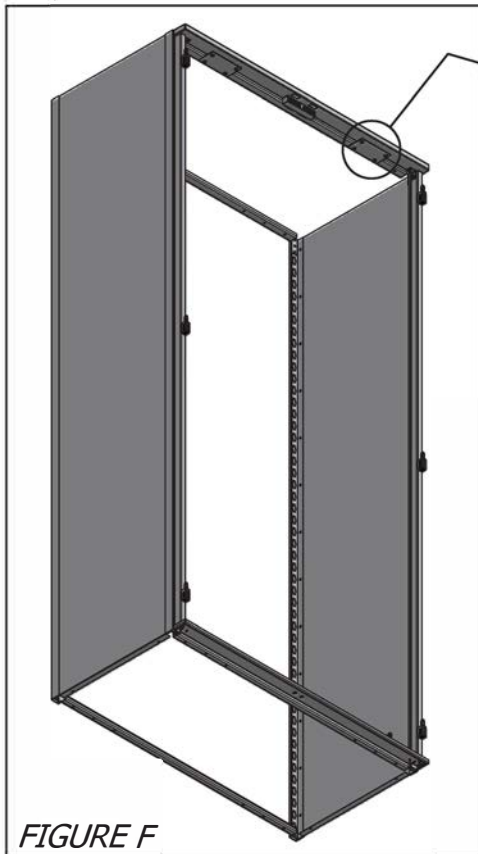
# 4POST HINGED ADD-ON DOORS

FIGURE E



## STEP 5:

ATTACH UPPER FRAME TO LEFT AND RIGHT UPRIGHTS SIMILAR TO STEPS 2-4 AND SHOWN IN FIGURE E.

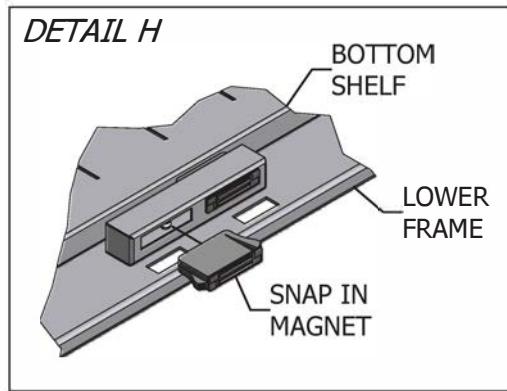


## STEP 6:

SECURE UPPER FRAME TO 4POST UNIT TOP SHELF SUPPORT USING UPPER MOUNTING BRACKETS AND HARDWARE AS SHOWN IN FIGURE F AND DETAIL G.

## 4POST HINGED ADD-ON DOORS

*DETAIL H*



### STEP 7:

WITH BOTTOM SHELF IN PLACE, INSERT (2) SNAP IN MAGNETS INTO PLACE ON LOWER FRAME AS SHOWN IN DETAIL H. REPEAT THIS PROCESS FOR THE (2) MAGNETS ON THE TOP FRAME.

### STEP 8:

ATTACH DOOR PANELS TO FRAME BY SLIDING THE DOOR ONTO THE HINGES AS SHOWN IN FIGURE I. (LOCK SHOWN ON LEFT DOOR - SOME VERSIONS WILL HAVE LOCK ON RIGHT DOOR)

*FIGURE I*



### CAUTION:

THE WEIGHT OF THE DOORS MAY CAUSE THE UNIT TO TIP FORWARD IF 4POST UNIT IS NOT PROPERLY SECURED.

### STEP 9:

REMOVE PAPER FROM ADHESIVE ON DOOR STRIKE; PLACE METAL SIDE OF STRIKE AGAINST MAGNET IN UPPER FRAME THAT HOLDS THE DOOR W/LOCK CLOSED. CLOSE DOOR TIGHT AGAINST FRAME TO LOCATE STRIKE ON REAR OF DOOR PANEL. OPEN DOOR AND PRESS STRIKE FIRMLY AGAINST DOOR. REPEAT PROCESS ON LOWER FRAME.

***END OF INSTRUCTIONS***  
***FOR ASSEMBLY ASSISTANCE CONTACT***  
***CUSTOMER SERVICE AT 1-866-217-0330***  
***(MONDAY THRU FRIDAY 8AM-5PM EST)***