



POWER AND TELECOM SOLUTION FOR TOP-OF-FLOORING INSTALLATION

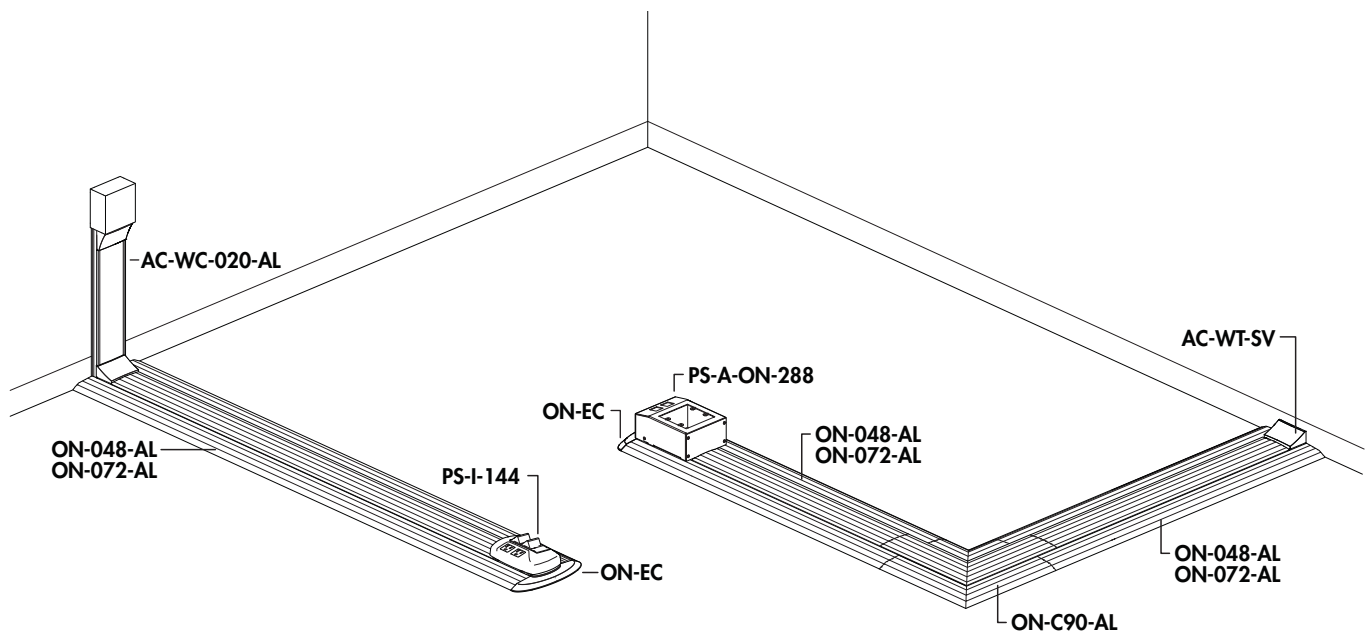
The new Connectrac On-Floor Wireway systems install directly on top of any type of flooring. They are the industry's newest alternative to core drilling and trenching for access to power and technology in open spaces. Extremely durable and low profile, these wireways offer a wide array of power/AV/telecom connectivity options. Connectrac On-Floor Wireways lead the industry in both ease of installation and capacity for telecom/AV cables. They are the best wireway solution when speed of installation, flexibility and value are critical.

ON-FLOOR WIREWAY FEATURES

- + Low-profile, durable extruded aluminum wireway
- + Installs directly on top of any type of flooring
- + Ideal for low-traffic areas
- + Provides a cable pathway with no core drilling or trenching
- + Multitude of power and telecom/AV options
- + Pre-wired power components speed installation
- + Removable wireway top cap makes changing cables simple
- + Durable, clear anodized aluminum finish
- + ADA compliant



ON-FLOOR WIREWAY COMPONENTS



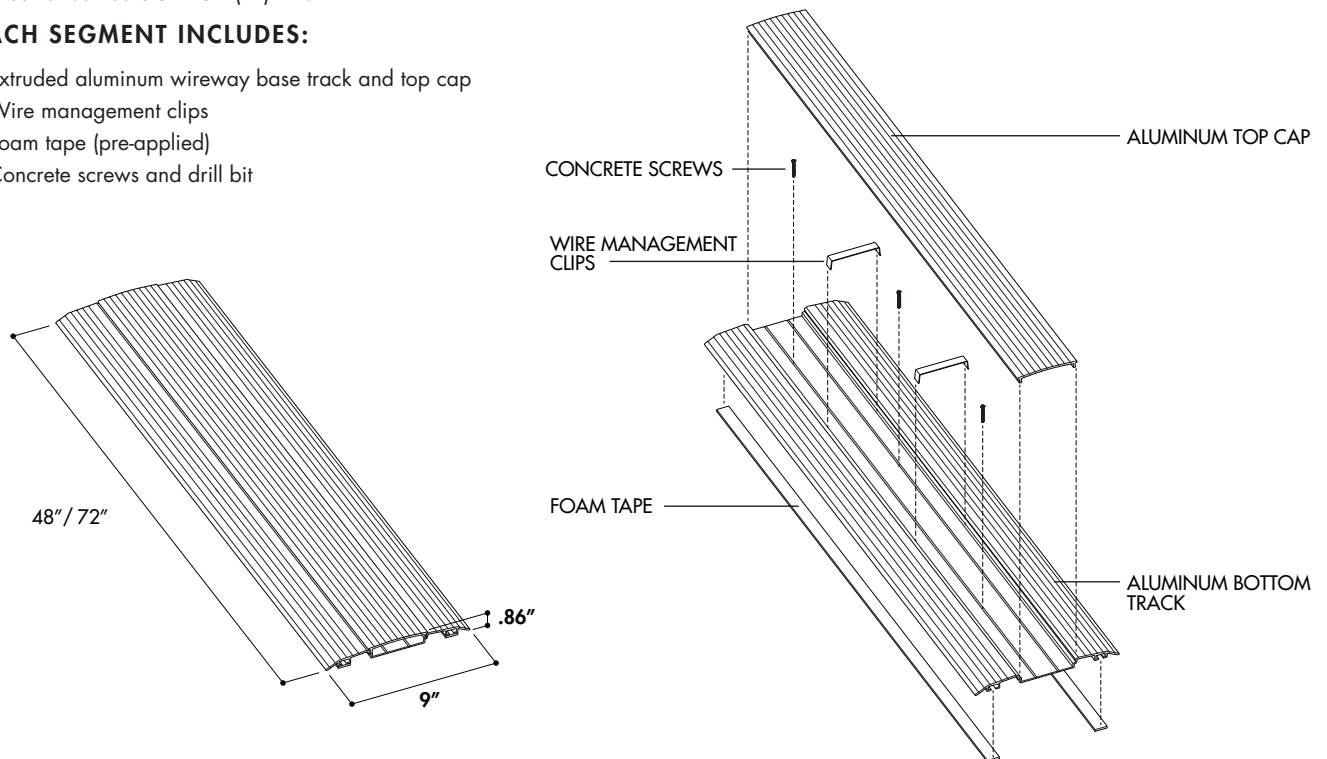
BASE SYSTEM COMPONENTS

WIREWAY SEGMENTS AVAILABLE IN:

- 48" and 72" lengths - **field-cut to required length and combined as necessary**
- Clear anodized aluminum (AL) finish

EACH SEGMENT INCLUDES:

- Extruded aluminum wireway base track and top cap
- Wire management clips
- Foam tape (pre-applied)
- Concrete screws and drill bit

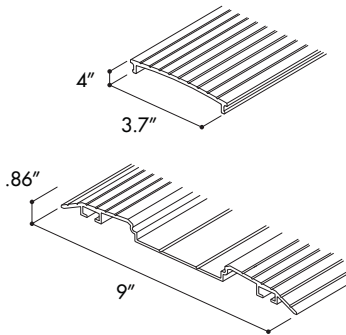


PART NUMBER	DESCRIPTION
ON-048-AL	48" Segment: 48" Top Cap and Bottom Track
ON-072-AL	72" Segment: 72" Top Cap and Bottom Track

WIREWAY COMPONENTS AND ACCESSORIES

BASE SYSTEM COMPONENTS:

WIREWAY BOTTOM TRACK AND TOP CAP

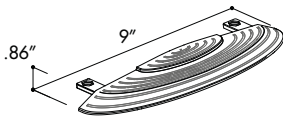


- Bottom track anchors to slab
- Top cap snaps into bottom track
- Extruded aluminum
- Available lengths: 48" / 72"

INCLUDED IN EACH WIREWAY SEGMENT

REQUIRED ACCESSORIES:

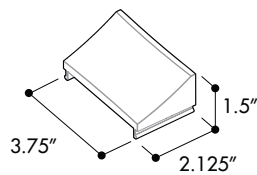
END COMPONENT



- Silver polycarbonate
- Secures to bottom track using included hardware

PN: ON-EC-SV

TRANSITION ADAPTER

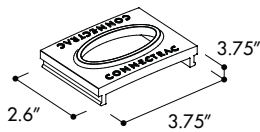


- Used to transition cabling at beginning or end of wireway
- Snaps into wireway bottom track

PN: AC-WT-SV (SILVER)
PN: AC-WT-BK (BLACK)

OPTIONAL ACCESSORIES:

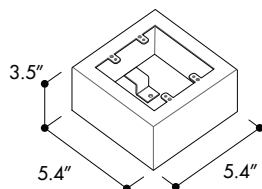
GROMMET



- Allows cabling to enter / exit wireway
- Snaps into wireway bottom track

PN: AC-GR-BK (BLACK)
PN: AC-GR-SV (SILVER)

COMMUNICATION BOX

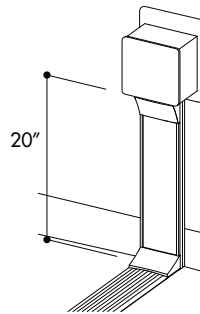


- Steel low-voltage enclosure
- Accepts any standard double-gang faceplate
- 3" available depth

PN: ON-COM

OPTIONAL ACCESSORIES:

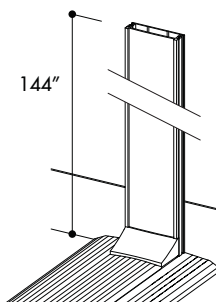
20" WALL CHANNEL



- Vertical wireway, surface-mounts to wall to provide path from Connectrac system at floor to surface-mounted junction box
- 20" long, can be trimmed to fit
- Includes 4"x4"x2.125" double-gang steel junction box, with silver powder coat
- Functions as extender ring for standard single gang outlet box
- Includes (2) AC-WT-SV and (1) AC-GR-SV

PN: AC-WC-020-AL

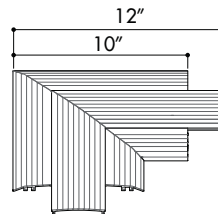
144" WALL CHANNEL



- Vertical wireway, surface-mounts to wall to provide path from Connectrac system at floor to ceiling above
- 12' / 144" Length
- Includes (1) AC-WT-SV accessory

PN: AC-WC-144-AL

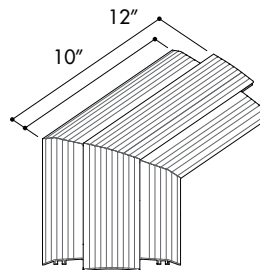
90° CORNER KIT



- Pre-cut wireway components
- Includes steel couplers and hardware

PN: ON-C90-AL

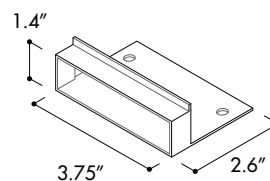
45° CORNER KIT



- Pre-cut wireway components
- Includes steel couplers and hardware

PN: ON-C45-AL

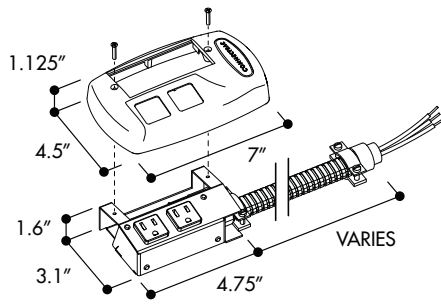
ROUGH-IN BOX



- Used in new wall construction to transition cabling from wall cavity into wireway

PN: AC-RIB-1

SINGLE DEVICE POWER OPTIONS

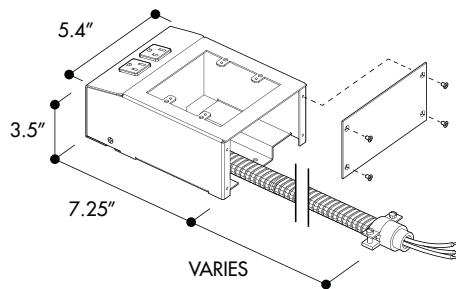


DUPLEX (I SERIES)

INCLUDES:

- Single 3-wire, 1-circuit NEMA 5-20R duplex receptacle
- Attached pre-wired galvanized steel flex conduit; 3-wire / 1-circuit with 1/2" knockout fitting (length options below)
- Black ABS plastic cover w/2 mounting screws
- Modular data opening (see page 6)

PART NUMBER	DESCRIPTION
PS-I-144	20Amp Duplex Receptacle; 144" Infeed
PS-I-288	20Amp Duplex Receptacle; 288" Infeed
PS-I-480	20Amp Duplex Receptacle; 480" Infeed

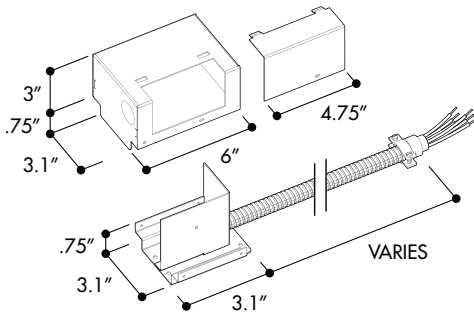


AV DUPLEX

INCLUDES:

- Steel enclosure with access cover
- Single 3-wire, 1-circuit NEMA 5-20R duplex receptacle
- Attached pre-wired galvanized steel flex conduit; 3-wire / 1-circuit with 1/2" knockout fitting (length options below)
- Standard double gang telecom opening; 3" depth for installing AV plates/devices

PART NUMBER	DESCRIPTION
PS-A-ON-144	20Amp Duplex Receptacle; 144" Infeed
PS-A-ON-288	20Amp Duplex Receptacle; 288" Infeed
PS-A-ON-480	20Amp Duplex Receptacle; 480" Infeed



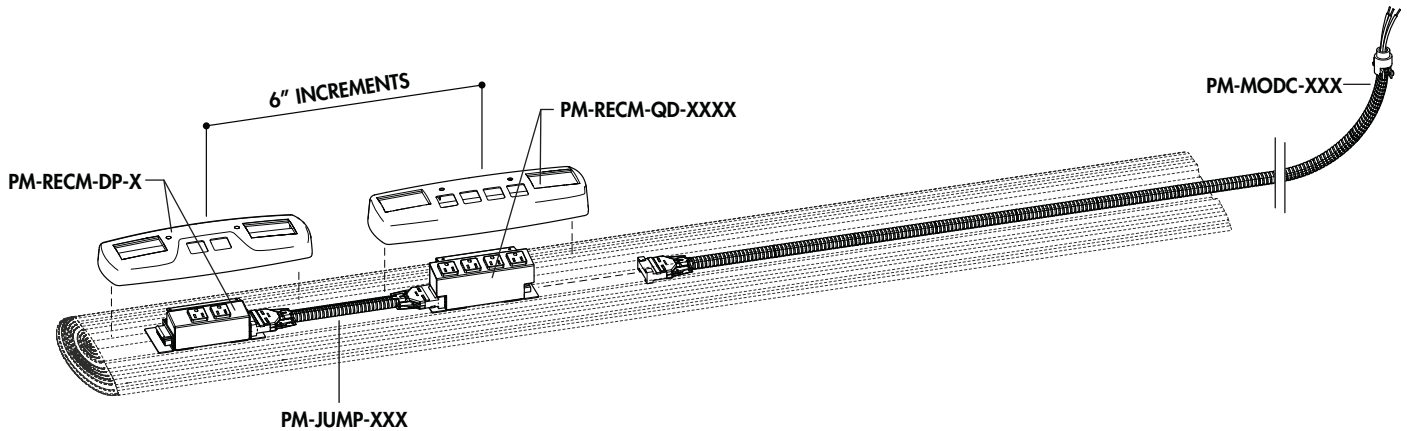
4-CIRCUIT MONUMENT (M SERIES)

INCLUDES:

- Single 36.5 cubic inch steel electrical housing for hardwire connection, black powder coat
- Attached pre-wired galvanized steel flex conduit; 8-wire / 4-circuit with 1/2" knockout fitting (length options below)
- Pass-thru opening for telecom cabling
- Refer to page 8 for wiring diagram options

PART NUMBER	DESCRIPTION
PS-M-288	8-wire, 4-circuit box for furniture hardwire; 288" infeed
PS-M-480	8-wire, 4-circuit box for furniture hardwire; 480" infeed

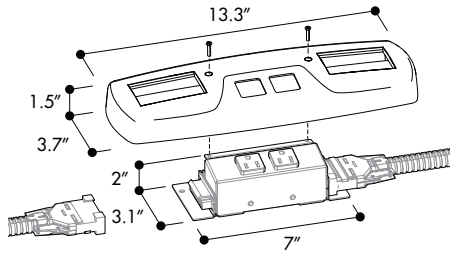
MODULAR POWER OPTIONS (U SERIES)



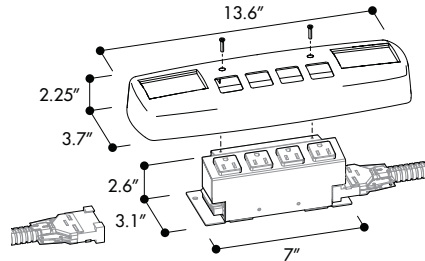
MODULAR RECEPTACLE POWER SYSTEMS

- 20Amp NEMA 5-20R duplex or quad receptacles; includes black ABS plastic cover, mounting screws, and two modular data openings (refer to page 7).
- Modular connections: multiple receptacle units can be connected using modular jumper and power infeed cables
- Receptacle devices are keyed to individual circuits.

PM-RECM-DP-X:



PM-RECM-QD-XXXX:



PART NUMBER

DESCRIPTION

PM-MODC-144	8-Wire Modular Power Infeed, 144" Length
PM-MODC-288	8-Wire Modular Power Infeed, 288" Length
PM-MODC-480	8-Wire Modular Power Infeed, 480" Length
PM-RECM-DP-1	Duplex Receptacle; Both Outlets Ckt 1
PM-RECM-DP-2	Duplex Receptacle; Both Outlets Ckt 2
PM-RECM-DP-3	Duplex Receptacle; Both Outlets Ckt 3
PM-RECM-DP-4	Duplex Receptacle; Both Outlets Ckt 4
PM-RECM-QD-1111	Quad Receptacle; Four Outlets Ckt 1
PM-RECM-QD-2222	Quad Receptacle; Four Outlets Ckt 2
PM-RECM-QD-3333	Quad Receptacle; Four Outlets Ckt 3
PM-RECM-QD-4444	Quad Receptacle; Four Outlets Ckt 4
PM-RECM-QD-1122	Quad Receptacle; Two Outlets Ckt 1, Two Outlets Ckt 2
PM-RECM-QD-3344	Quad Receptacle; Two Outlets Ckt 3, Two Outlets Ckt 4
PM-JUMP-024	Modular Jumper Cable for 24" On-Center Devices
PM-JUMP-030	Modular Jumper Cable for 30" On-Center Devices
PM-JUMP-036	Modular Jumper Cable for 36" On-Center Devices
PM-JUMP-042	Modular Jumper Cable for 42" On-Center Devices
PM-JUMP-048	Modular Jumper Cable for 48" On-Center Devices
PM-JUMP-054	Modular Jumper Cable for 54" On-Center Devices
PM-JUMP-060	Modular Jumper Cable for 60" On-Center Devices
PM-JUMP-066	Modular Jumper Cable for 66" On-Center Devices
PM-JUMP-072	Modular Jumper Cable for 72" On-Center Devices
PM-JUMP-084	Modular Jumper Cable for 84" On-Center Devices
PM-JUMP-096	Modular Jumper Cable for 96" On-Center Devices

TELECOM-SINGLE DUPLEX

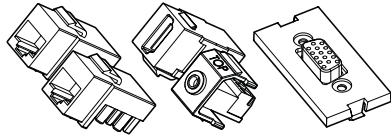
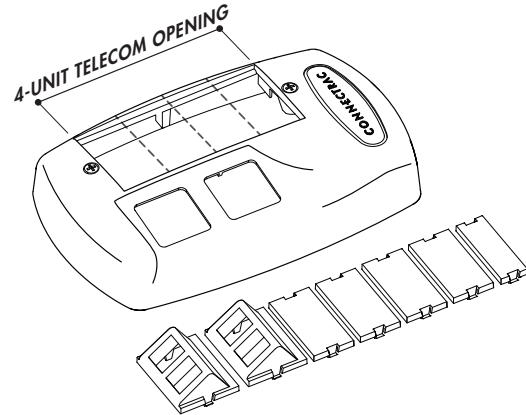
STANDARD TELECOM KIT

The single duplex device incorporates a four-unit modular telecom opening. Each device comes with two angled TC-UM03-BK modules from Hubbell that accommodate up to four keystone-sized connectors. These modules also accommodate keystone-sized connectors from a variety of other manufacturers.

INCLUDED MODULES:

- (2) **TC-UM03-BK** 1.5 unit 1-port angled modules
- (1) **TC-BM01-BK** .5 unit blank module
- (4) **TC-BM02-BK** 1.0 unit blank module

These modules are included with each single duplex



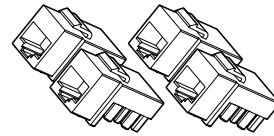
OPTIONAL AUDIO/VISUAL KIT

INCLUDES:

- (2) **TC-KS01-BK** Cat6 data jacks
- (1) **TC-KS08-BK** HDMI keystone pass-thru
- (1) **TC-OC03-BK** VGA gender changer
 - Includes **TC-UM02-BK** unloaded module
 - Includes 18" slimline VGA patch cable
- (1) **TC-KS10-BK** 3.5mm audio screw termination jack

PN: TKIT-AV1

NOTE: Both optional telecom kits utilize the (2) TC-UM03-BK modules included with each receptacle cover



OPTIONAL VOICE/DATA KIT

INCLUDES:

- (4) **TC-KS01-BK** Cat6 voice/data jacks

PN: TKIT-VD1

UNLOADED MODULES

PART NUMBER	DESCRIPTION
TC-UM01-BK	1.5 Unit Angled For VGA (TC-OC03)
TC-UM03-BK	1.5 Unit Angled For (2) Keystone Connectors
TC-UM05-BK	1.0 Unit Flat For (1) Keystone

KEYSTONE CONNECTORS

PART NUMBER	DESCRIPTION
TC-KS01-BK	CAT 6 Snap Fit Jack
TC-KS06-BL	USB Snap Fit Pass-Thru F/F Coupler, USB 2.0 A to A
TC-KS08-BK	HDMI Snap Fit Pass-Thru F/F Coupler
TC-KS09-BK	F-Connector Snap Fit Pass-Thru F/F Coupler
TC-KS10-BK	3.5MM Audio Snap Fit, Screw Termination

OTHER CONNECTORS

PART NUMBER	DESCRIPTION
TC-OC03	VGA Gender Changer, 15-PIN F/F

TELECOM-MODULAR POWER

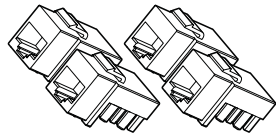
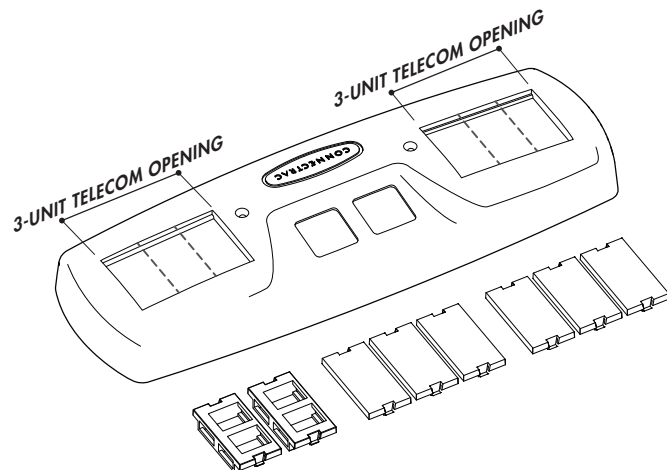
STANDARD TELECOM KIT

Modular receptacle devices (duplex and quad) each incorporate 2 three-unit modular telecom openings. Each device comes with two TC-UM04-BK modules from Hubbell that accommodate up to four keystone-sized connectors. These modules also accommodate keystone-sized connectors from a variety of other manufacturers.

INCLUDED MODULES:

- (2) TC-UM04-BK 1.0 unit 2-port flat modules
- (6) TC-BM02-BK 1.0 unit blank module

These modules are included with each duplex and quad modular receptacle



OPTIONAL VOICE/DATA KIT

INCLUDES:

- (4) TC-KS01-BK Cat6 voice/data jacks

PN: TKIT-VD1

NOTE: *The optional telecom kit utilizes the (2) TC-UM04-BK modules included with each receptacle cover*

UNLOADED MODULES

PART NUMBER	DESCRIPTION
TC-UM01-BK	1.5 Unit Angled For VGA
TC-UM03-BK	1.5 Unit Angled For (2) Keystone Connectors
TC-UM04-BK	1.0 Unit Flat For (2) Keystone Connectors
TC-UM05-BK	1.0 Unit Flat For (1) Keystone Connector

KEYSTONE CONNECTORS

PART NUMBER	DESCRIPTION
TC-KS01-BK	CAT 6 Snap Fit Jack
TC-KS06-BL	USB Snap Fit Pass-Thru F/F Coupler, USB 2.0 A to A
TC-KS08-BK	HDMI Snap Fit Pass-Thru F/F Coupler
TC-KS09-BK	F-Connector Snap Fit Pass-Thru F/F Coupler
TC-KS10-BK	3.5MM Audio Snap Fit, Screw Termination

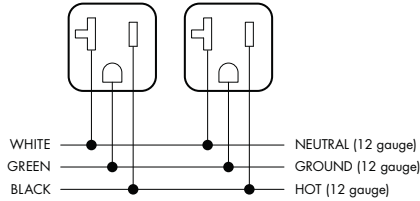
OTHER CONNECTORS

PART NUMBER	DESCRIPTION
TC-OC03	VGA Gender Changer, 15-PIN F/F

WIRING DIAGRAMS

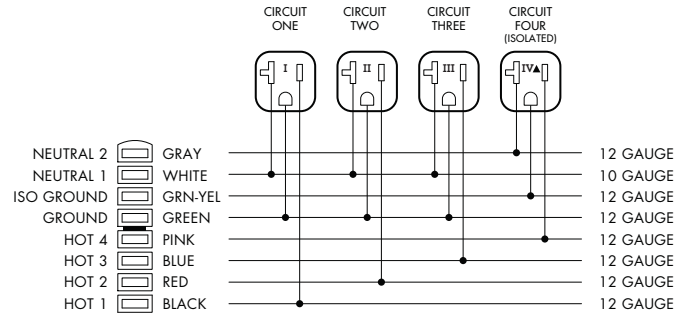
SINGLE DUPLEX RECEPTACLE SYSTEMS

PS-1-XXX, PS-A-IN-XXX



MODULAR RECEPTACLE SYSTEMS

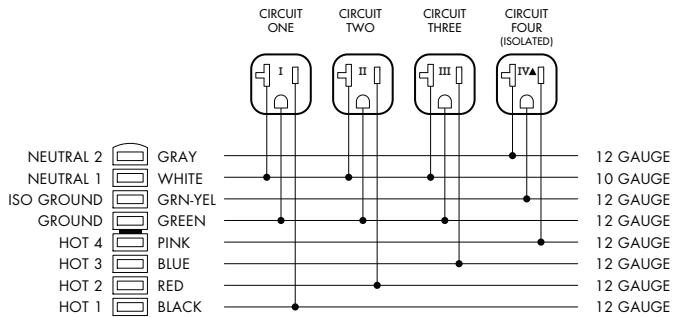
PM-RECM-DP-X, PM-RECM-QD-XXXX



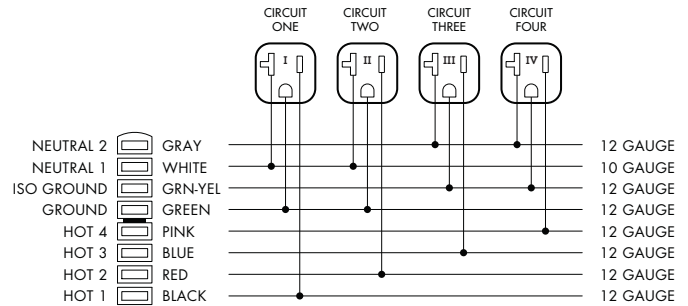
4-CIRCUIT CONNECTION MONUMENT

PM-M-XXX

3+1 WIRING OPTION:



2+2 WIRING OPTION:



NOTE: The 4-circuit connection monument can utilize either of the above wiring schemes

CABLE FILL CAPACITY



Voice / Data / AV cabling can be placed alongside power in the wireway channel. Shielding for the low voltage cabling is provided by Connectrac's special steel flex conduit.

STANDARD FILL CAPACITIES:	Cat 5e	Cat 6	Cat 6a
Cable OD (varies by manufacturer)	.21"	.25"	.354"
Cable cross sectional area	.035"	.035"	.035"
Max cables in wireway with power conduit	25	18	*

* The number of Cat 6A cables must be determined by the communications system designer due to the special installation requirements of Cat 6A cables.