

● ● ● ● ●  
**SOUTHWEST SOLUTIONS GROUP**  
*business organization systems*



fume hoods



cabinets

shelving systems



work surfaces

fixtures

# SOUTHWEST SOLUTIONS GROUP

*business organization systems*

Southwest Solutions Group offers an excellent selection of stainless steel and painted steel cabinets. We also have a comprehensive offering of chemical fume hoods, flexible lab furniture, healthcare furnishings and work surfaces. We are a full service supplier for all your laboratory needs.

The Southwest Solutions Group team includes:

- **Furniture Specialists** to coordinate the most logical and cost effective layout to your lab.
- **Project Estimators** to provide a comprehensive estimate of your needs and project costs.
- **Design Specialists** to create CAD plan and elevation drawings maximizing available space and complying with established safety standards.
- **Project Managers** to oversee your project from start to finish.
- **Factory Trained Installers** to deliver a complete trouble free finish to your project.



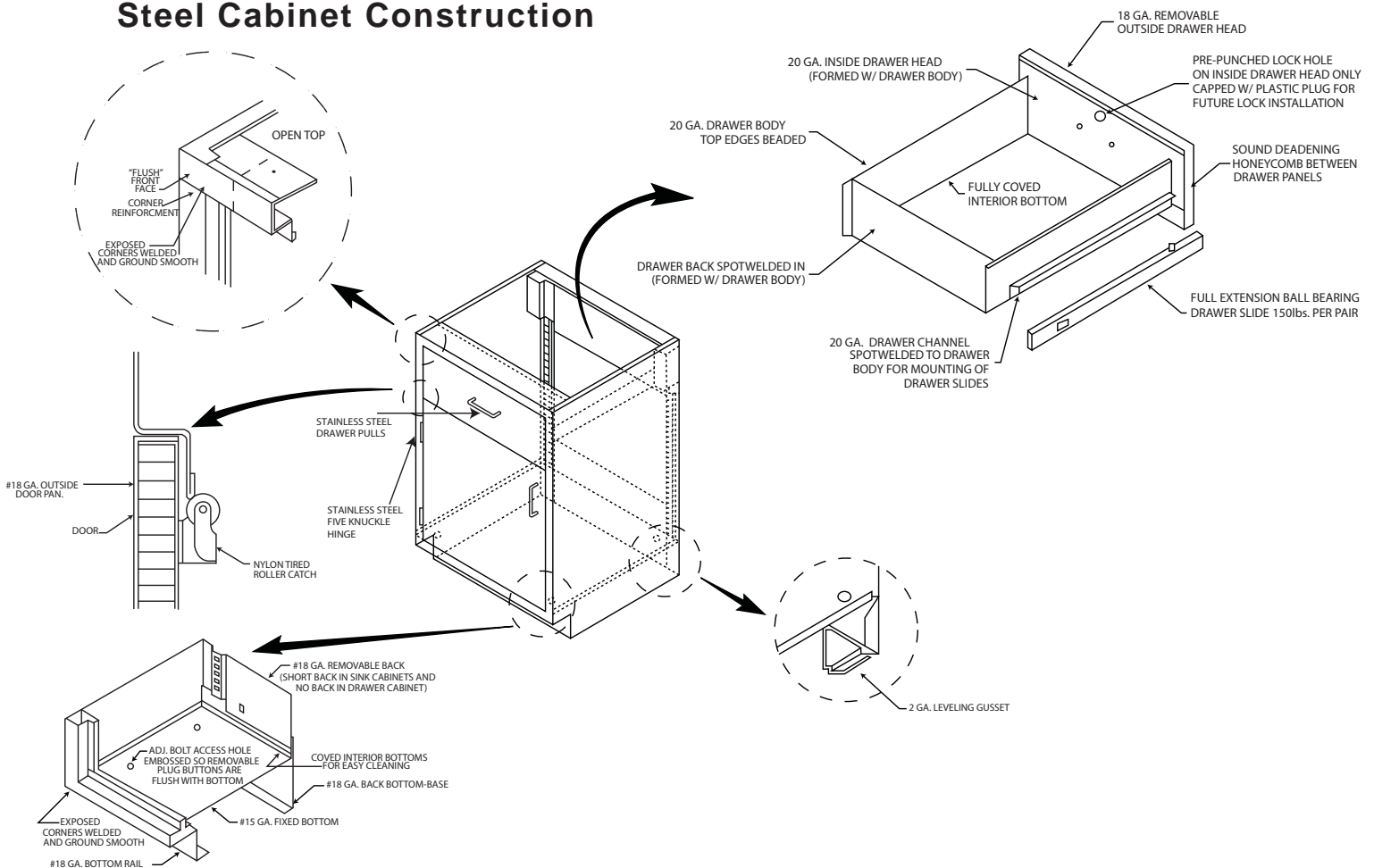
## Contents:

<b>Fume Hoods</b>	
Isolator <sup>3</sup> _____	3
Work Surfaces_____	4
Airflow Monitor/Alarm_____	4
Remote control fixtures_____	4
Cup sink_____	24
<b>Base Cabinets</b>	
Sitting Height_____	5
Standing Height_____	5
Sink Cabinets_____	6
Acid Storage_____	7
Solvent Storage_____	7
<b>Table Rails and Frames</b>	
Aprons with drawers_____	7
Apron rails_____	7
Panel end supports_____	8
Tables_____	8
Wall and Tall Cabinets_____	9
<b>Casework Trim and Accessories</b>	
Knee space panels for	
Aprons with drawers_____	10
Apron Rails_____	11
Base cabinet fillers_____	11
Pipe enclosures_____	12
<b>Lab Shelving Systems</b>	
Peninsula/Island system schematic_____	14
Shelving Brackets_____	16
<b>Wall Standards</b>	
Peninsula/Island stanchions_____	15
Cross members and hardware_____	17
Phenolic shelving_____	18
Front/Rear retaining lips_____	18
Work Surfaces_____	19
<b>Accessories</b>	
Lab water faucets_____	22
Electrical pedestals_____	22
Gas fittings_____	23
Eyewashes and safety showers_____	23
Sinks and Pegboards_____	24

## Cabinet Construction Detail

Our cabinets are made from heavy gauge steel. They are fully welded and constructed for decades of performance. Base units have a load capacity of 500 lbs per linear foot. Our environmentally friendly powder coat finish helps to create a comfortable and practical lab environment. All of our cabinets come in an off white color of Pearl White. We bring quality, durability and beauty to your laboratory.

### Steel Cabinet Construction



#### Cabinet Bottom & Base

- Completely enclosed toe space promotes lab cleanliness
- Lower corner reinforcing gusset with 2-1/2" height leveling bolt (full four corners)

#### Steel Door

- Two piece door construction
- Structurally sound deadened for added strength and quiet operation
- Five knuckle institutional type stainless steel hinge
- Positive plunger catch
- Rubber door bumpers

#### Steel Drawer

- One piece drawer body with radiused bottom for easy cleaning
- Full extension ball bearing drawer suspension provides 150 lbs load capacity
- Drawer head is sound deadened for quiet operation



## Isolator³ High Performance Fume Hoods With Vertical Rising Sash

For nearly 70 years, we have been developing innovative and purpose driven products for the research and healthcare industries. Our highly experienced team of engineers and designers are proud to introduce our latest effort: **Isolator³**.

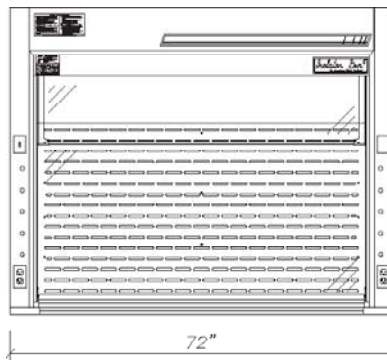
**Isolator³** is the latest generation of energy saving high performance fume hoods, built upon extensive R&D. Utilizing computational fluid dynamics, **we were** able to develop a safe and superior operating environment without the need for additional components to add or inject air into the hood chamber. By controlling baffle pressurization, Isolator³ achieves the proper capture and containment at a 60 FPM face velocity. Additionally, we do it with a sash opening of 24".

- 24" deep clear interior
- Low static rectangular exhaust duct
- Integral stainless steel 12" round duct transition
- Slotted rear baffle for even plenum balance
- Can operate at 60 fpm with sash at 24" open
- Chemically resistant white Polyglass liner
- UL1805, ANSI/ASHRAE 110-1995, UL1275
- Chain & Sprocket sash mechanism with the exclusive lifetime warranty
- Exclusive standard 43 1/2" tall full view sash area
- Tempered glass sash with full-length formed steel handle for a neat, clean appearance and streamline air passage

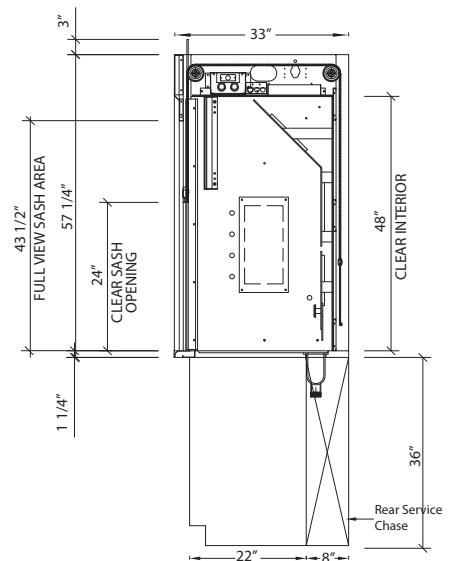
Isolator³ GEN5 Model Number with frameless vertical sash	Overall Hood Length	Sash Opening Area (Sq Ft)	Total CFM & Static Pressure			
			@60 FPM Face Velocity	S.P. Loss	@ 100 FPM Face Velocity	S.P. Loss
F-350-48G5	4'-0" (121.9cm)	6.3	380 CFM	0.04"	630 CFM	0.05"
F-350-72G5	6'-0" (182.9cm)	10.3	620 CFM	0.04"	1030 CFM	0.20"



F-350-48G5



F-350-72G5



SECTION VIEW

### Hood Features

- One pre-wired outlet on roof of hood for an optional alarm
- Two pre-wired 120V 20amp duplex receptacles
- One pre-wired 20amp light switch
- Pre-wired vapor tight T8 fluorescent light fixture
- Each hood side post and interior is punched and plugged to receive 5 service fixtures

## Fume Hood Accessories

### Fittings for Bench Hoods

These WaterSaver brand remote control fittings consist of a brass angle valve with a replaceable seat, an epoxy coated brass nylon color-coded panel flange with angle serrated hose connector (except LGS-3185-WV, which features a gooseneck with vacuum breaker), a remote control rod assembly with a plastic flange and a tank nipple, locknut and washer.

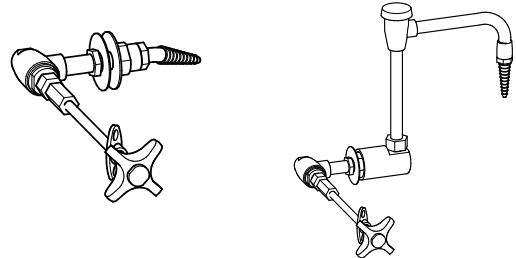
Fittings may be used on either side of the hood

Fitting Type	Cat. No.
Air	LGS-3185-A
Gas	LGS-3185-G
Nitrogen	LGS-3185-N
Vacuum	LGS-3185-V
Cold Water Gooseneck with Vacuum Breaker	LGS-3185-WV

All fittings are shipped loose and are to be installed in the field.

### Service Fitting Color Codes:

Air	Orange
Gas	Dark blue
Nitrogen	Brown
Vacuum	Yellow
Cold Water	Dark Green



### Fume Hood Worktops

These modified black epoxy resin worktops are dished to retain spills. They are available with or without a drop in cup sink hole. Cup sinks are found in the accessories section of the catalog.

Fume Hood Width	Cat. No. w/o cup sink	Cat. No. w/ Cup Sink (Left)	Cat. No. w/ Cup Sink (Right)
4 foot (121.9cm)	WL-48B	WL-48BCSL	WL-48BCSR
6 foot (182.9cm)	WL-72B	WL-72BCSL	WL-72BCSR



### TEL AFA-1000 Alarm

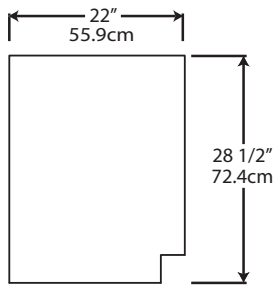
Each hood is pre-punched for the fast and easy installation of this alarm.

The TEL AFA-1000 provides a digital readout of the fume hood face velocity and sounds an alarm when the airflow falls below safe levels. Consisting of a thermostat sensor (mounted through the side wall of the fume hood) and a control monitor (mounted on the fascia), the unit gives both a visual and audible alarm. A glowing green light signals when conditions are safe. The control monitor also contains a test/reset button allowing the user to verify alarm readiness. The TEL AFA-1000 operates on a 9V DC circuit and comes complete with an adapter that is plugged into a prewired 120 VAC receptacle on the roof of the hood.



Catalog # A-1000

## Sitting Height



Section View

- Standard without locks
- All cabinets include a cut-out for service access; if cabinet backs are exposed, a finished back is required
- Order work surfaces separately

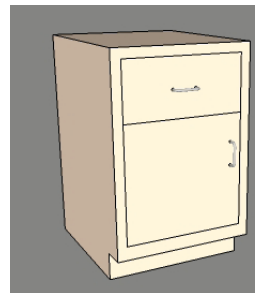
## Drawer Cabinets



- One 3 1/2" (8.9cm) high drawer
- One 7" (17.8cm) high drawer
- One 10 1/2" (26.7cm) high file drawer

Product #	Width
P070-24	24" (61.0cm)

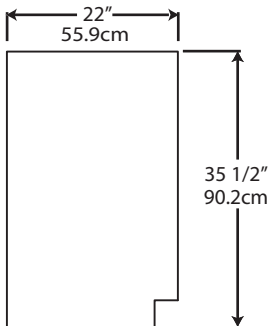
## Door/Drawer Cabinets



- One 7" (17.8cm) high drawer above cupboard
- Left-hinged

Product #	Width
P169-18	18" (45.7cm)

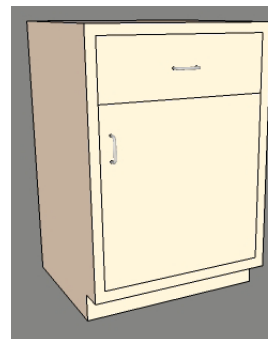
## Standing Height



Section View

- Standard without locks
- Shelves are adjustable in half-inch increments
- All cabinets include a cut-out for service access; if cabinet backs are exposed, a finished back is required
- Order work surfaces separately

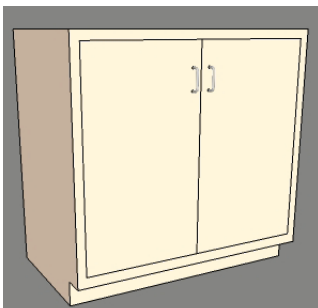
## Door/Drawer Cabinets



- One 7" (17.8cm) high drawer above cupboard
- One adjustable shelf in cupboard
- Right-hinged

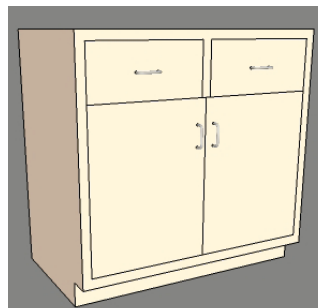
Product #	Width
P118-18	18" (45.7cm)
P118-24	24" (60.9cm)

## Double Door Cabinets



- Solid hinged double doors
- One adjustable shelf

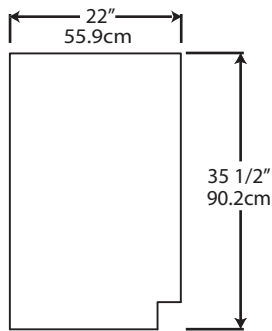
Product #	Width
P103-30	30" (76.2cm)
P103-36	36" (91.4cm)
P103-48	48" (121.9cm)



- Two 7" (17.8cm) high drawers above cupboard
- One adjustable shelf in cupboard

Product #	Width
P106-36	36" (91.4cm)
P106-42	42" (106.7cm)
P106-48	48" (121.9cm)

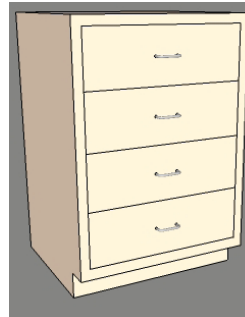
### Standing Height



Section View

- Standard without locks
- All cabinets include a cutout for service access; if cabinet backs are exposed, a finished back is required
- Order work surfaces separately

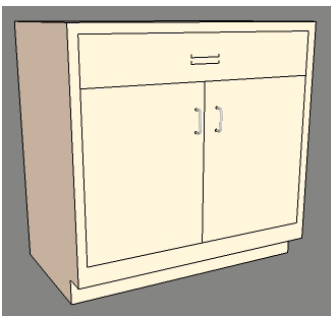
### Drawer Cabinets



- Four 7" (17.8cm) high drawers

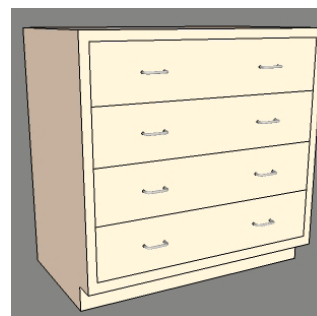
Product #	Width
P122-18	18" (45.7cm)
P122-24	24" (60.9cm)

### Double Door Sink Cabinets



- Solid hinged doors
- Back has cutout for large sinks

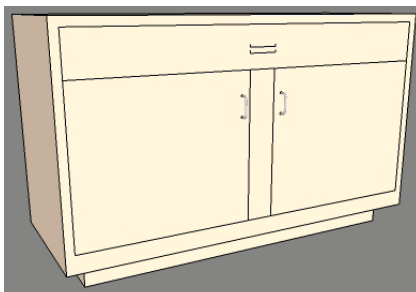
Product #	Width
P181-36	36" (91.4cm)
P181-48	48" (121.9cm)



- Four 7" (17.8cm) high drawers

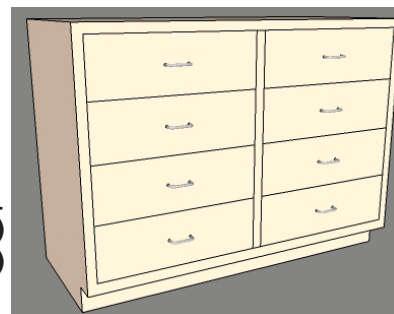
Product #	Width
P121-36	36" (91.4cm)

### End Island Sink Cabinets



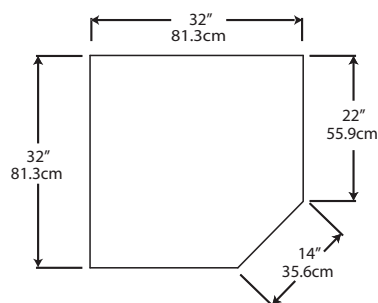
- Solid hinged doors
- Back has cutout for large sinks
- Toe space on 3 sides

Product #	Width
P186-52	52" (137.2cm)
P186-58	58" (147.3cm)



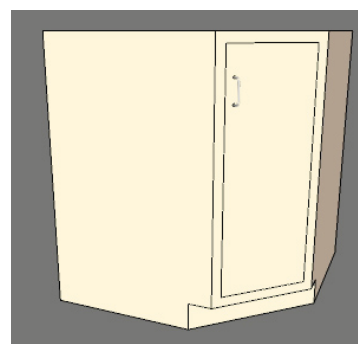
- Eight 7" (17.8cm) high drawers

Product #	Width
P124-48	48" (121.9cm)



Corner Cabinet Plan View

### Corner Cabinet/Sink Cabinet

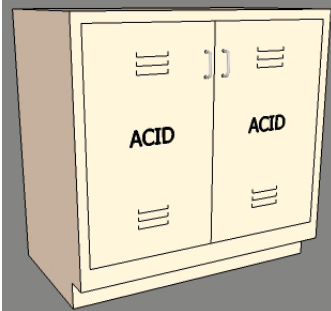


- This cabinet can be used to incorporate potential dead space at the intersection of runs of casework
- Can be used to locate a smaller sink. See sink part # D30.

Product #	Width
P190-32	32" (81.3cm)

## Standing Height For Hoods

### Acid Storage Base Cabinets



- Solid hinged doors
- Chemical resistant lining with 1 1/2" spill lip
- One shelf
- Exhaust vent included
- Warning labels

Product #	Width
P188-36GG	36" (91.4cm)
P188-48GG	48" (121.9cm)

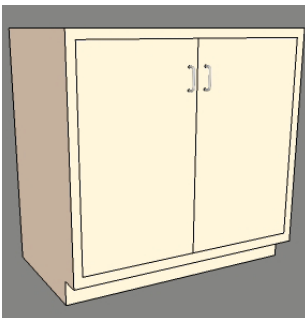
### Solvent Storage Base Cabinets



- For storage of flammable/combustible materials
- Double doors
- One adjustable shelf
- Two 2" (5.1cm) vent plugs
- Grounding lug
- Silk screened warning labels
- Three point latching system
- UL 1275 listed
- Complies with NFPA Standards and OSHA Regulations

Product #	Width
P189-36	36" (91.4cm)
P189-48	48" (121.9cm)

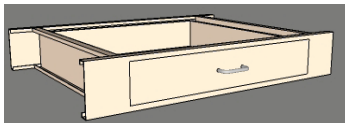
### Standard Hood Base Cabinets



- Standard cabinet for hoods
- One adjustable shelf
- Solid hinged doors

Product #	Width
P103-30	30" (76.2cm)
P103-36	36" (91.4cm)
P103-48	48" (121.9cm)

### Apron Frames and Rails



Product Number	Width	Depth	No. of Drawers
TBA-3022-1	30" (76.2cm)	22" (54.8cm)	1

- Height of apron frames is 4-1/2" (11.4cm)

### Apron Rails



#### Apron Rail

- Two rails required for front and back support
- Supplied with end support brackets
- Can be cut to fit in the field

Use apron rails to support work surfaces:

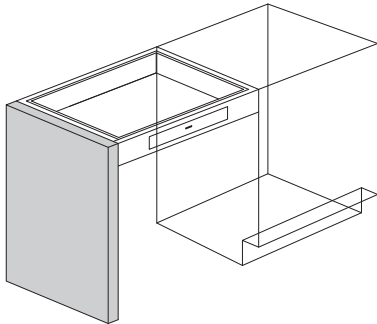
- Suspended between two base cabinets
- Between cabinet and wall

Product Number	Width
TBR-3002	30" (76.2cm)
TBR-3602	36" (91.4cm)
TBR-4802	48" (121.9cm)
TBR-7202	72" (182.9cm)

- Height of apron rails is 2" (5.1cm)



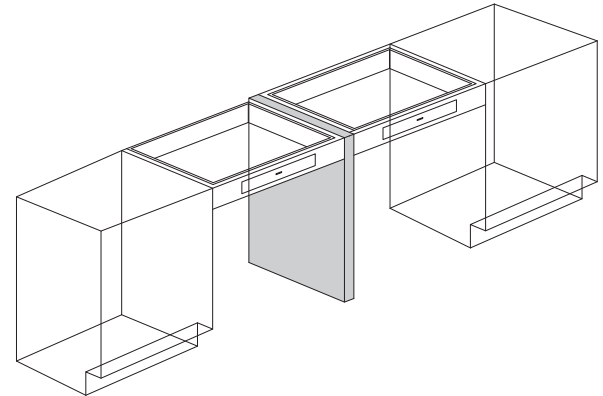
## Panel End Supports



- Panel is 2" wide (5.1cm)
- Use in place of a cabinet at one end of a cabinet run to support drawer frames or apron rails
- Can be used to support the intersection of two aprons or apron rails
- Each panel has two leveling feet

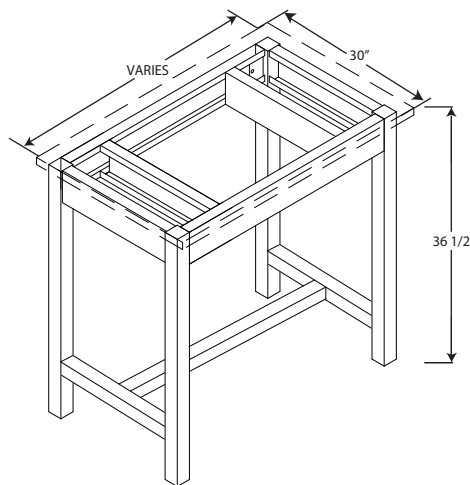
**Product Number      Width**  
**Sitting Height 28 1/2" (72.4cm)**  
**TPO-2822                      22"(55.9cm) deep**

**Standing Height 35 1/2" (90.2cm)**  
**TPO-3522                      22"(55.9cm) deep**



## Table Assemblies

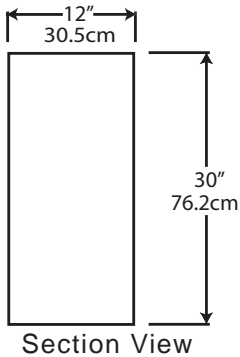
- Table assemblies include a 4 1/2" high apron, end legs and spreaders as shown.
- End legs are furnished complete with leveling feet and black floor boots. Tables are shipped in pieces to be assembled at the jobsite.
- Available worksurfaces are black 1" thick epoxy or phenolic resin. They overlap the table frames by 1".



Standing Height Tables are 36 1/2" High

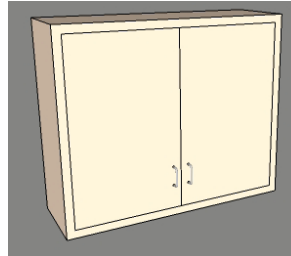
Table Frame Part Number	Table Size (Including available worksurface)	Black Epoxy Worksurface Part Number	Black Phenolic WorkSurface Part Number
TBH-4830	48" Long x 30" D x 36 1/2" H 121.9cm Long x 76.2cm D x 92.7cm H	TLE-4830	TLP-4830
TBH-6030	60" Long x 30" D x 36 1/2" H 152.4cm Long x 76.2cm D x 92.7cm H	TLE-6030	TLP-6030
TBH-7230	72" Long x 30" D x 36 1/2" H 182.8cm Long x 76.2cm D x 92.7cm H	TLE-7230	TLP-7230

## Wall and Tall Cabinets



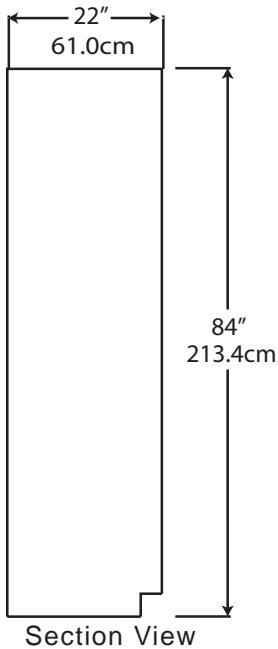
- Cases include recessed bottoms
- Standard without locks
- Two shelves are included and are adjustable in half-inch increments
- Cases have recessed backs for wall hanger cleats (not included)

### Wall Cabinets



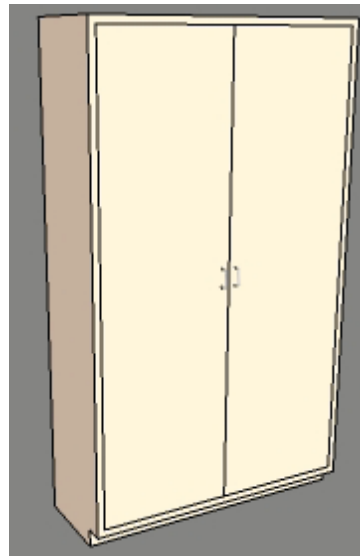
- Solid panel
- Hinged double doors

Product #	Width
P203-36	36"(91.4cm)
P203-48	48"(121.9cm)



- Standard without locks
- Five shelves are included and are adjustable in half-inch increments
- Must be anchored to wall
- When installing tall cases under soffits, 85-1/2" minimum height is required from finished floor to finished soffit

### Tall Cabinets



- Solid panel
- Hinged double doors

Product #	Width
P303-48	48"(121.9cm)



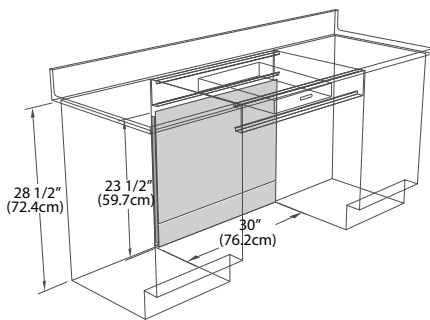
## Casework Trim and Accessories

### Knee Space Panels

- Knee Space panels are designed to close off the space between the floor and the bottom of the apron.
- They are sized for both 28 1/2" high and 35 1/2" high assemblies.

#### Sitting Height Removable Knee Space Panel for use with Drawer Aprons

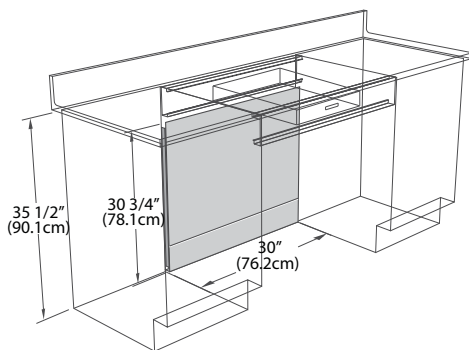
23 1/2" high (59.7cm) for 28 1/2" High (72.4cm) assemblies



<u>Product Number</u>	<u>Width</u>
KSL-3004	30" (76.2cm)

#### Standing Height Removable Knee Space Panel for use with Drawer Aprons

30 3/4" high (78.1cm) for 35 1/2" High (90.1cm) assemblies



<u>Product Number</u>	<u>Width</u>
KSH-3004	30" (76.2cm)

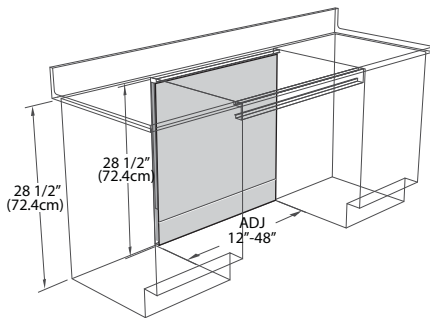


## Knee Space Panels

- Knee Space panels are designed to close off the space between the floor and the bottom of the apron.
- They are sized for both 28 1/2" high and 35 1/2" high assemblies.

### Sitting Height Removable Knee Space Panel for use with 2" High Apron Rails

28 1/2" high (72.4cm) for 28 1/2" high (72.4cm) assemblies

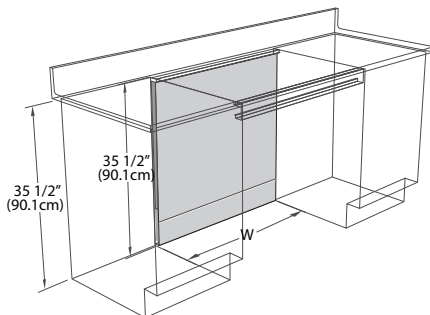


<u>Product Number</u>	<u>Width</u>
KSL-ADJ*	ADJUSTABLE (12"-48") (30.5-121.9cm)

\*Cut to fit and includes slip fit trim angle

### Standing Height Removable Knee Space Panel for use with 2" High Apron Rails

35 1/2" high (90.1cm) for 35 1/2" high (90.1cm) assemblies



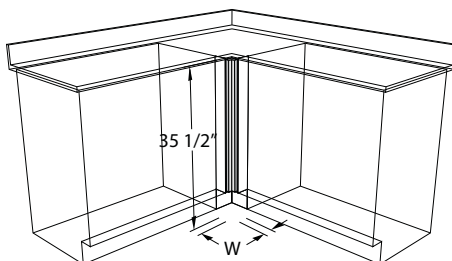
<u>Product Number</u>	<u>Width</u>
KSH-30	30" (76.2cm)
KSH-36	36" (91.4cm)
KSH-48	48" (121.9cm)
KSH-ADJ*	ADJUSTABLE (12"-48") (30.5-121.9cm)

\*Cut to fit and includes slip fit trim angle

## Base Cabinet Fillers, Scribes and Panels

### Corner fillers

Standing Height 35 1/2" high



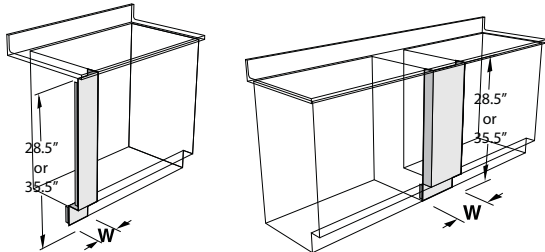
Standing Height 35 1/2" High

<u>Product Number</u>	<u>Width</u>
FCH-01	1" (2.5cm)
FCH-ADJ*	ADJUSTABLE (2"-18") (5.1-48.7cm)

\*Cut to fit and includes slip fit trim angles

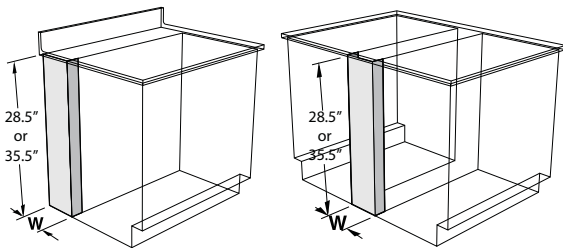
- For use at the intersection of two runs of casework
- Includes concealed clips for attachment to cabinets

### Front Filler Panels



- For use between adjacent base cabinets or between a cabinet and wall
- Can be cut to size in the field
- Includes concealed clips for attaching to the cabinet

### Rear and Center Filler Panels



- For use between back-to-back base cabinets or to close space at the rear of the cabinet
- Can be cut to size
- Includes concealed clips for attaching to the cabinet

### Pipe Enclosure

- Used to provide a cover for pipes running from the ceiling to the work surface
- Can be used for island or perimeter locations
- Can support pegboards or water purification systems
- Cover pre-punched for attachment

Product Number	Size
P509-GG	84" T x 18" W x 6" D (213.4cm x 45.7cm x 15.2cm)

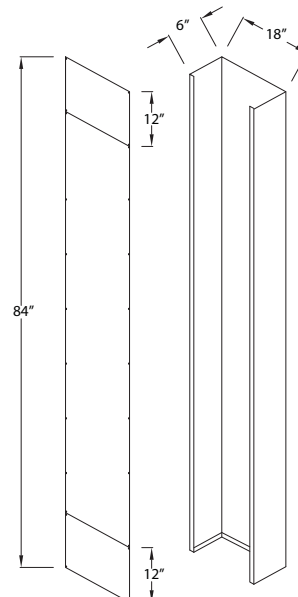
Product Number	Width
For sitting height cabinets 28 1/2" Tall	
<b>FFL-ADJ*</b>	<b>2-18" (5.1-45.7cm)</b>

For standing height cabinets 35 1/2" Tall	
<b>FFH-01</b>	<b>1" (2.5cm)</b>
<b>FFH-04</b>	<b>4" (10.2cm)</b>
<b>FFH-08</b>	<b>8" (20.3cm)</b>
<b>FFH-ADJ*</b>	<b>2-18" (5.1-45.7cm)</b>

- Cut to fit and includes slip to fit trim angle

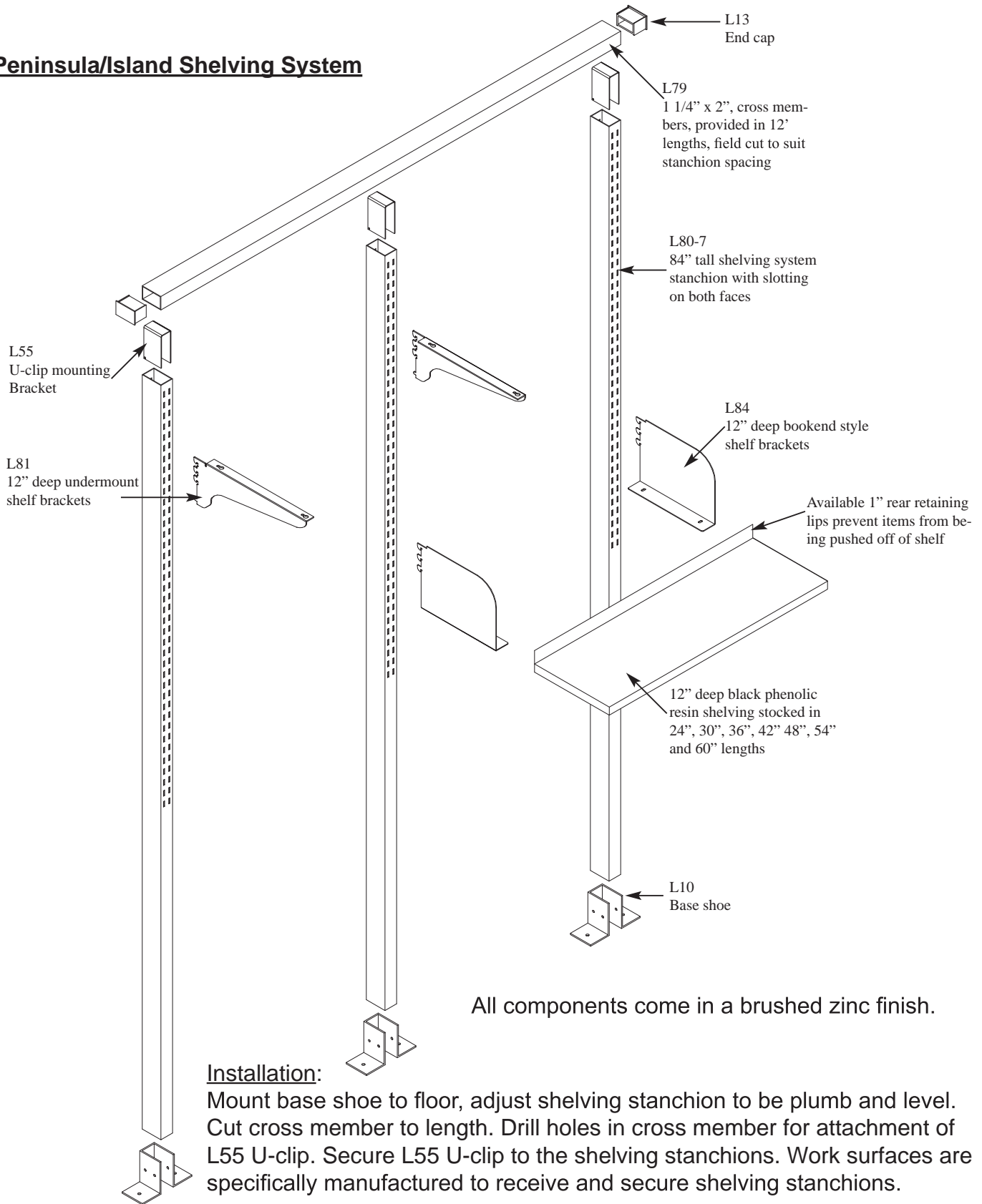
Product Number	Width
For sitting height cabinets 28 1/2" (72.4cm)	
<b>FRL-07</b>	<b>7" (17.8cm)</b>

For standing height cabinets 35 1/2" (90.1cm)	
<b>FRH-07</b>	<b>7" (17.8cm)</b>
<b>FRH-08</b>	<b>8" (20.3cm)</b>
<b>FRH-14</b>	<b>14" (35.5cm)</b>
<b>FRH-20</b>	<b>20" (50.8cm)</b>





**Peninsula/Island Shelving System**

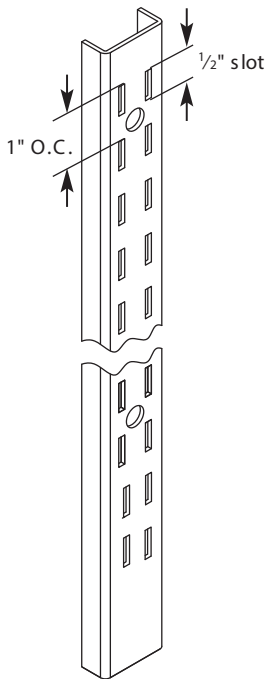


All components come in a brushed zinc finish.

**Installation:**

Mount base shoe to floor, adjust shelving stanchion to be plumb and level. Cut cross member to length. Drill holes in cross member for attachment of L55 U-clip. Secure L55 U-clip to the shelving stanchions. Work surfaces are specifically manufactured to receive and secure shelving stanchions.

### L44-3 Wall Standard



Part Number	Length
L44-3	3' (91.4cm)

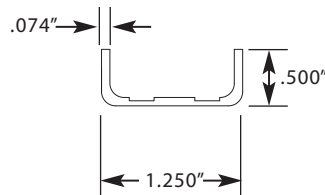
\* Use #10 screw for anchoring

**Application:**

General purpose shelving and hangrod

**Features:**

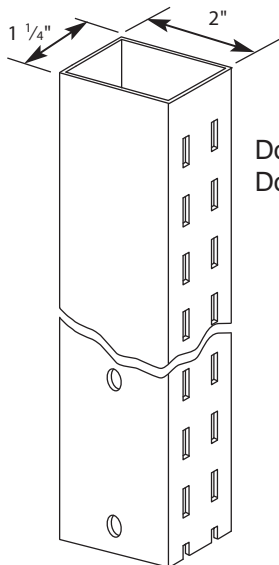
- .074" thick steel for superior strength
- On center dimension from counter-sunk screw hole to counter-sunk screw hole is 6"



**Finish:**

Brushed zinc

### L80-7 84" tall x 1 1/4" x 2" Peninsula/Island system stanchion



Double faced,  
Double Slotted

Part Number	Length
L80-7	7' (213.4cm)

**Application:**

- Double faced, double slotted, peninsula/island shelving stanchion
- This shelving system is for use between back to back cabinets. Epoxy resin or phenolic resin worksurfaces are to be specifically bored to receive and secure stanchions.

**Features:**

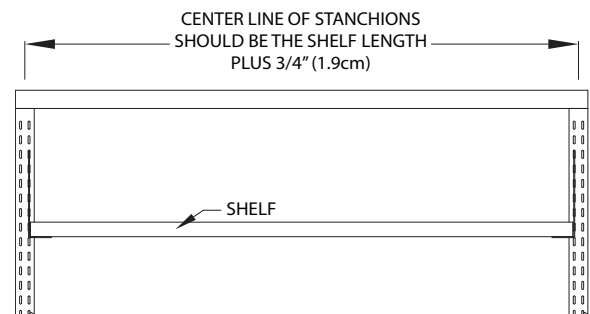
- 16 GA. steel for superior strength
- Double slotted on both sides

**Finish:**

Brushed zinc

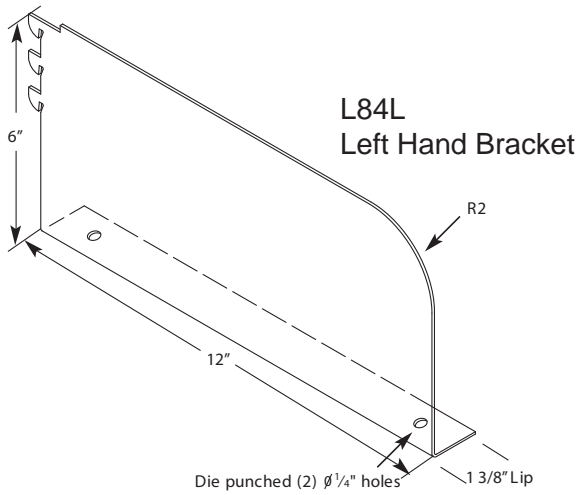
Stanchion Spacing:

Stanchions should be spaced so that the center line of each one is 3/4" longer than the respective shelf to be hung. See example to the right:





### L84 Bookend Shelf Bracket



Part Number	Length
L84L	12" (30.5cm)
L84R	12" (30.5cm)

**Application:**

General purpose bookend shelf bracket

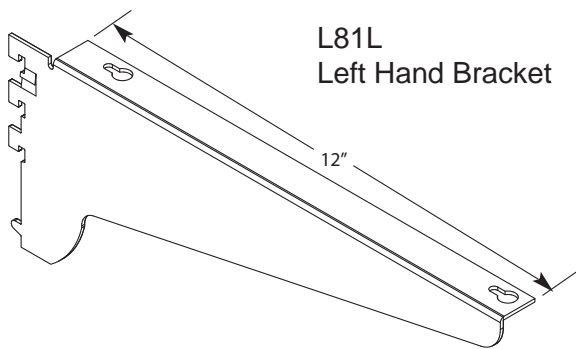
**Features:**

- 14GA. thick steel for superior strength
- (2) Die punched 1/4" diameter holes
- Works with L44-3 wall mount standard and L80-7 stanchion
- Brackets are available in left and right hand options

**Finish:**

Brushed zinc

### L81 Flange Style Bracket



Part Number	Length
L81L	12" (30.5cm)
L81R	12" (30.5cm)

**Application:**

General purpose under mount bracket

**Features:**

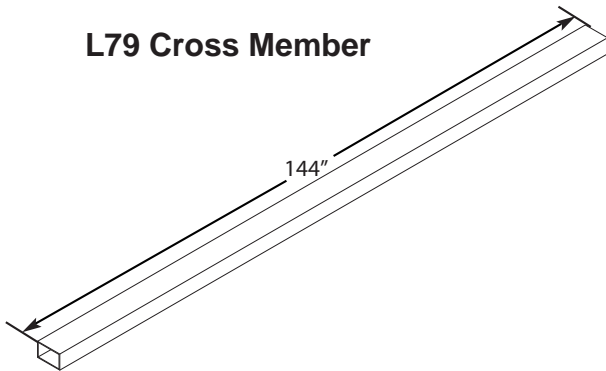
- .085" thick tempered steel with stabilizer tab
- Keyhole slots for shelf mounting
- Works with L44-3 standard and L80-7 stanchion
- Brackets are available in left and right hand options

**Finish:**

Brushed zinc



**L79 Cross Member**



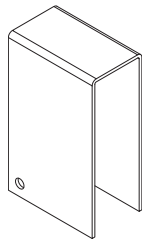
Part Number	Length
L79-12	12' (365.8cm)

**Application:**  
 Cross member for L80-7 stanchions, cut to suit stanchion spacing

**Features:**  
 • 16 GA. construction

**Finish:**  
 Brushed zinc

**L55 U-Clip Mounting Bracket**

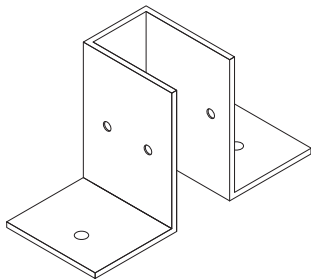


Part Number
L55

**Application:**  
 Fits inside L80-7 1 1/4" x 2" stanchion for the secure attachment to cross member

**Finish:**  
 Brushed zinc

**L10 Base Shoe**



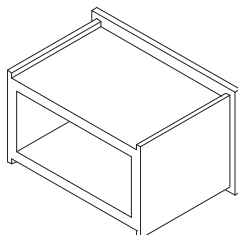
Part Number
L10

**Application:**  
 For use as an anchoring plate with L80-7 peninsula/ island upright assembly

**Features:**  
 • Fits on outside of L80-7 stanchion  
 • 16 GA. construction

**Finish:**  
 Brushed zinc

**L13 End Cap**



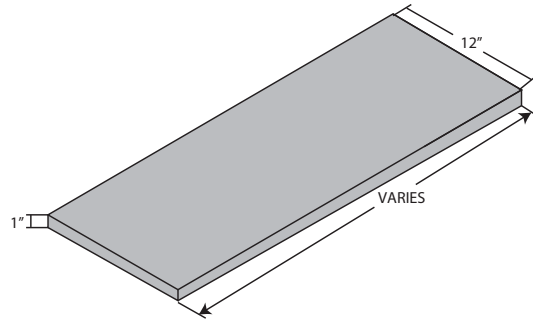
Part Number
L13

**Application:**  
 Inserted at each exposed end of cross members for a finished appearance

**Finish:**  
 Black Plastic

**Shelving**

- 12" (30.5cm) deep
- Chemical resistant black phenolic resin
- 1" (2.54cm) thick
- Front edge finished
- All other shelving parts ordered separately

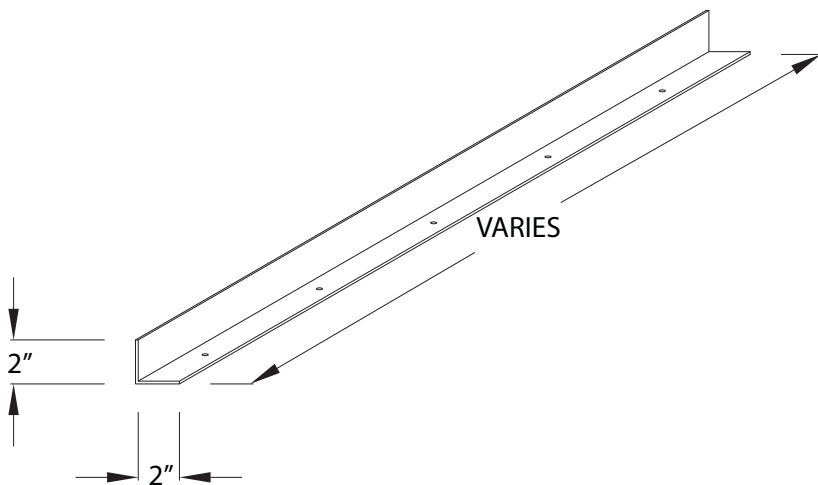


<b>Catalog #</b>	<b>Width</b>
PS1224	24" (61.0cm)
PS1230	30" (76.2cm)
PS1236	36" (91.4cm)
PS1242	42" (106.7cm)
PS1248	48" (121.1cm)
PS1254	54" (137.2cm)
PS1260	60" (152.4cm)

**Shelf Rear Retaining Lips for bookend style brackets**

- Provides for 1" (2.54cm) rear lip for island or peninsula shelving
- Attaches to the bottom of shelf
- Holes for attachment spaced at 6" intervals
- Brushed zinc finish to match shelving system
- Sized to fit shelf

<b>Catalog #</b>	<b>For Shelf Size:</b>
SLA24	24"
SLA30	30"
SLA36	36"
SLA42	42"
SLA48	48"
SLA54	54"
SLA60	60"



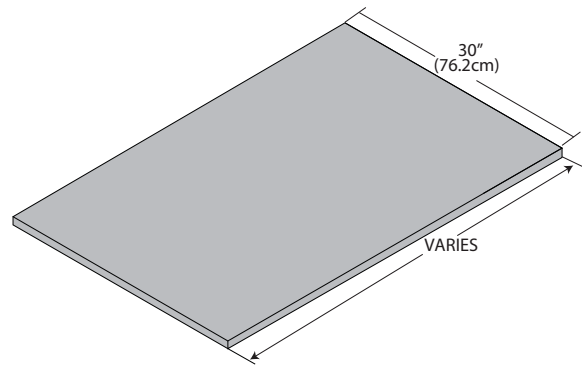
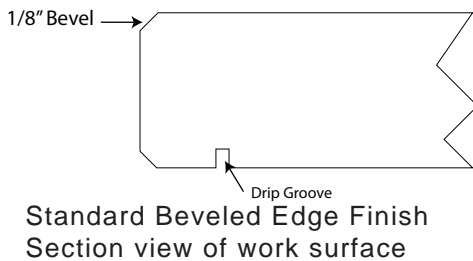
## Laboratory Work Surfaces

### Custom Manufactured Work Surfaces

Please note that we offer custom laboratory work surfaces in both 1" thick black epoxy resin and phenolic resin. These custom work surfaces are available for shipment within 6 business days of approved drawings. They will be designed and engineered to suit your needs. Contact us for full details.

#### Work Surfaces without cutouts

- Chemical resistant black epoxy or phenolic resin
- 1" (2.54cm) thick
- Curb must be ordered separately
- Front edge finished
- All other edges are square

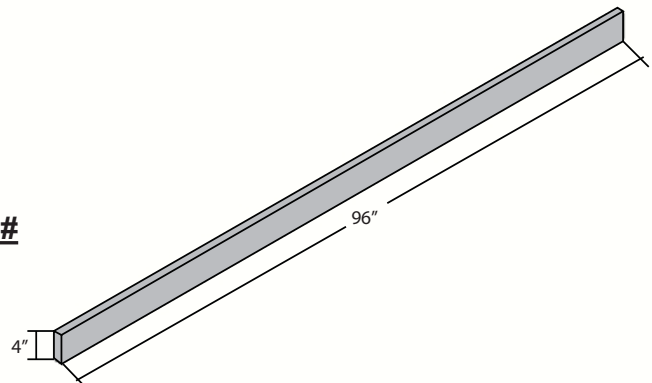


Width	Depth	Epoxy part #	Phenolic part #
36" (91.4cm)	30" (76.2cm)	LE3630-1	LP3630-1
48" (121.9cm)	30" (76.2cm)	LE4830-1	LP4830-1
60" (152.4cm)	30" (76.2cm)	LE6030-1	LP6030-1
72" (182.9cm)	30" (76.2cm)	LE7230-1	LP7230-1
96" (243.8cm)	30" (76.2cm)	LE9630-1	LP9630-1

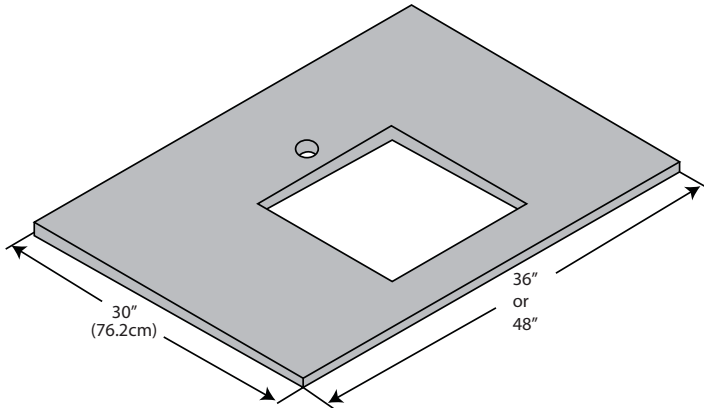
#### Work Surface Curb

- Chemical resistant black epoxy or phenolic resin
- 1" (2.5cm) thick x 4" (10.2cm) high
- Provided in 96" (243.8cm) lengths

Length	Epoxy #	Phenolic #
96" (243.8cm)	LE9604-1	LP9604-1



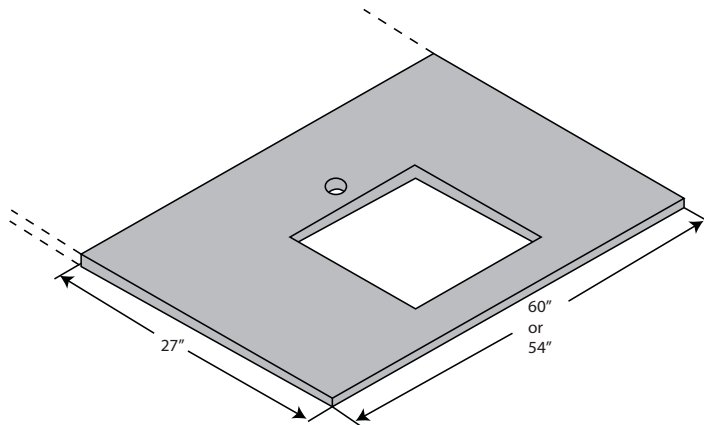
### Work Surfaces with Sink Cutout



- Chemical resistant black epoxy or phenolic resin
- 30" (76.2cm) depth
- 1" (2.54cm) thick
- Sink cutout 15" x 25" (38.1cm x 63.5cm) to receive a D55 drop in sink, fixture hole cutout diameter is 1 3/8" (3.5cm)
- Sink and fixture hole are centered in width of top
- Order sink separately
- Order curb separately
- Top depth: 30" (76.2cm)
- Front edge finished

<b>Width</b>	<b>Epoxy part #</b>	<b>Phenolic part #</b>
36" (91.4cm)	LE3630-D55	LP3630-D55
48" (121.9cm)	LE4830-D55	LP4830-D55

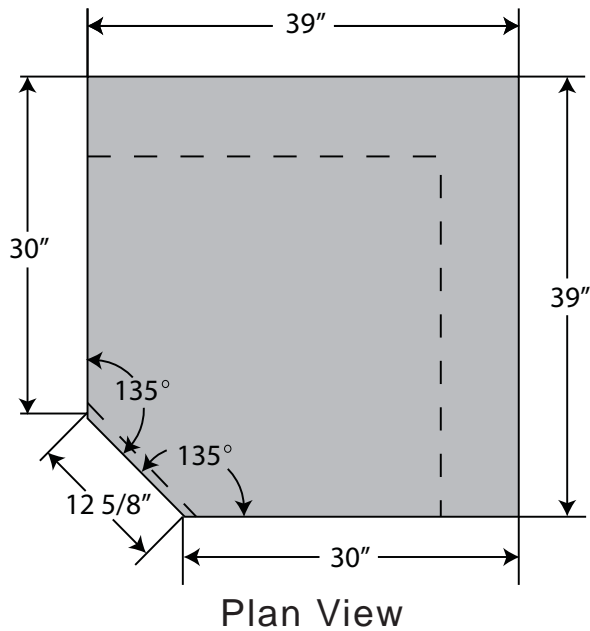
### End Island Sink Work Surfaces



- Work surface for a P186-58 or P186-52 cabinet
- Chemical resistant black epoxy or phenolic resin
- 30" (76.2cm) depth
- 1" (2.54cm) thick
- Sink cutout 15" x 25" (38.1cm x 63.5cm) to receive a D55 drop in sink, fixture hole cutout diameter is 1 3/8" (3.5cm)
- Sink and fixture hole are centered in width of top
- Order sink separately
- Curb must be ordered separately
- Front and side edges are finished, rear edge is square

<b>Width</b>	<b>Epoxy part #</b>	<b>Phenolic part #</b>
54" (137.2cm)	LE5427E-D55	LP5427E-D55
60" (152.4cm)	LE6027E-D55	LP6027E-D55

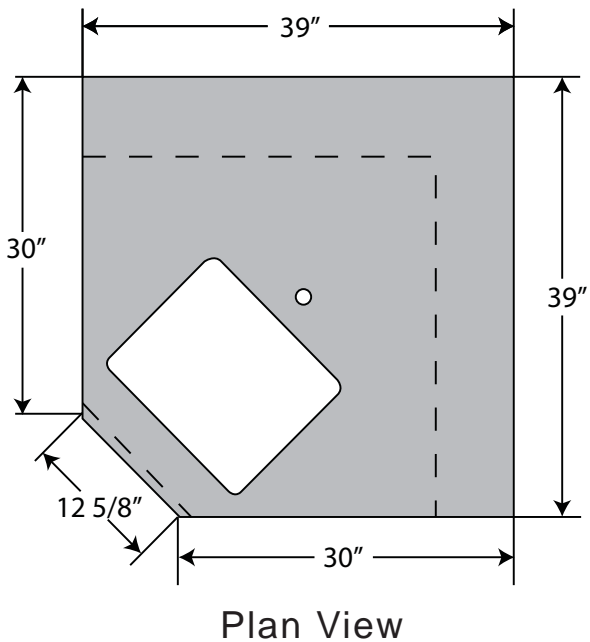
**Corner Cabinet Work Surface**



**Corner Cabinet Work Surface**

- Work Surface for a P190-32
- Top has a front finished edge
- Rear top overhang is 7" (17.8cm)
- Order curb separately

<u>Length</u>	<u>Epoxy #</u>	<u>Phenolic #</u>
39" (99.1cm)	LE39CB-1	LP39CB-1



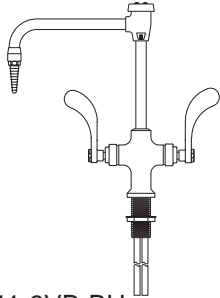
**Corner Cabinet Work Surface with sink cutout**

- Sink work surface for a P190-32 cabinet
- Sink cutout 15" x 18" (38.1cm x 45.7cm) to receive a D-30 sink, fixture hole diameter is 1 3/8" (3.5cm)
- Order sink separately
- Top has finished front edge
- Order curb separately

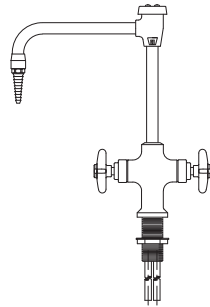
<u>Length</u>	<u>Epoxy #</u>	<u>Phenolic #</u>
39" (99.1cm)	LE39CB-D30	LP39CB-D30

# Accessories

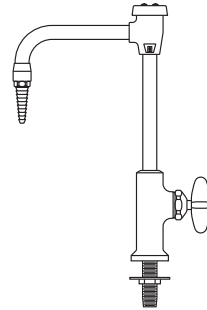
## Faucets



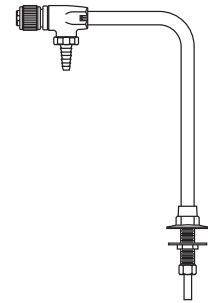
**LB411-8VB-BH**  
Deck Mounted Blade Handle Hot and Cold Water Mixing Gooseneck Faucet with vacuum breaker made of chrome plated brass with an 8" swivel gooseneck. Removable serrated hose connector. Valves are disc type with renewable internal assemblies.



**LB411-8V8**  
Deck Mounted Hot and Cold Water Mixing Gooseneck Faucet with vacuum breaker made of chrome plated brass with an 8" swivel gooseneck. Removable serrated hose connector. Valves are disc type with renewable internal assemblies.



**LB611VB**  
Deck Mounted Gooseneck Water Faucet Chrome plated brass with an 6" spread rigid vacuum breaker type gooseneck. Removable serrated hose connector. Valve is disc type with a renewable internal assembly.



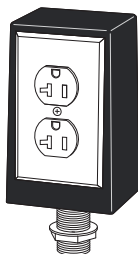
**LB7833**  
Distilled, Deionized and Ultra-Pure Water Faucet (deck mounted) made of chrome plated brass. All polypropylene internal construction with 6" spread gooseneck.



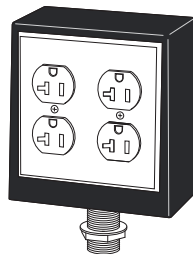
**LB0055**  
Aerator for LB411 fixtures Anti-splash aerator can be used in lieu of the removable straight serrated hose connectors supplied with the goosneck water faucet. 3/8" I.P.S. male thread inlet.



## Electrical - All stocked in a satin aluminum finish



**LB433SA-WS**  
Single gang, double face 120 V/20 Amp Supplied with outlets and cover plates



**LB633SA-WS**  
Double gang, double face 120 V/20 Amp Supplied with outlets and cover plates

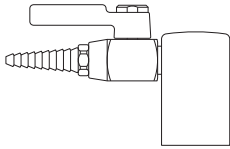


**LB800SA-WS**  
This electrical pedestal can accommodate a variety of styles and configurations. It can provide for as many as 8 outlets from a single pedestal and can also act to house communication services. Outlets and cover plates supplied separately.

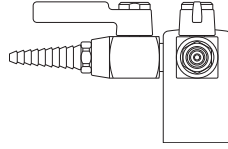
## Service Fixtures

### Laboratory Ball Valves

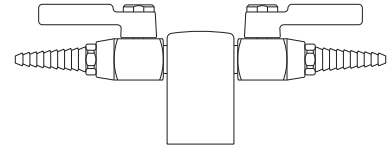
Complete with 3/8" I.P.S. tank nipple. Specify service desired by noting a G, A, N, or V after the part number



**LB4200-131WSA**  
 Gas, Air, Nitrogen or Vacuum  
 Deck Mounted Fitting is  
 chrome plated brass. Valve  
 provides on/off control of gas,  
 air or vacuum at pressures up  
 to 75 PSI.

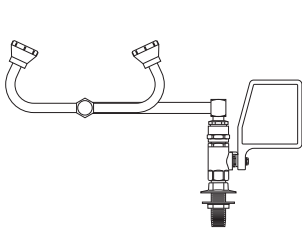


**LB4200-132AWSA**  
 Double Gas, Air, Nitrogen  
 or Vacuum Deck Mounted  
 Fitting same as No. LB4200-  
 131WSA except consists of  
 a 2-way 90 degree outlet  
 turret and two laboratory ball  
 valves.

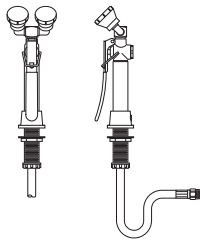


**LB4200-132SWSA**  
 Double Gas, Air, Nitrogen  
 or Vacuum Deck Mounted  
 Fitting same as No. LB4200-  
 131WSA except consists of  
 a 2-way 180 degree outlet  
 turret and two laboratory ball  
 valves.

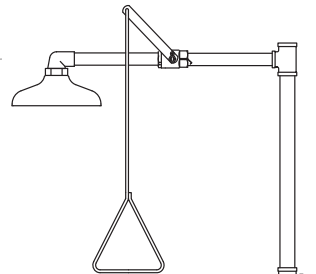
## Emergency Equipment



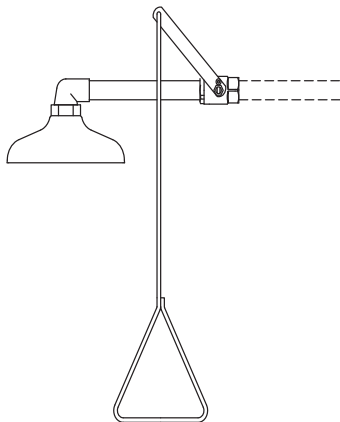
**LB806**  
 Eye Wash (deck  
 mounted) with two Gentle  
 Spray outlet heads, stay-open  
 ball valve and 90° swivel feature  
 Right mounting.  
**LB806LH for left hand mounting**



**LB1022**  
 Deck Mounted  
 Dual Purpose Eye  
 Wash/Drench Hose with two  
 Gentle Spray outlet heads  
 angled at 45° and squeeze  
 valve with locking clip.



**LB909**  
 Free standing 10" dia. drench  
 shower made of orange ABS  
 plastic. Has a 1" ball valve  
 operated by a rigid pull-rod and  
 easy grip handle. Eye wash fix-  
 ture with stainless steel bowl,  
 four Gentle Spray heads and  
 a "PUSH TO OPERATE" ball  
 valve. Eye wash and shower  
 operate independently. Overall  
 height is 80" 1 1/4" I.P.S. fe-  
 male thread inlet and outlet.



**LB643**  
 Emergency  
 shower Head Assembly  
 Includes 10" diameter orange  
 ABS plastic shower head.  
 Operated by a rigid pull-rod  
 and easy to grip handle.

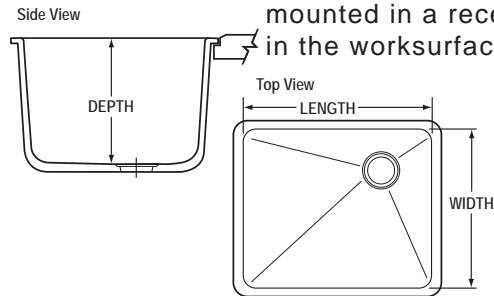


## Drop in Epoxy Resin Sinks

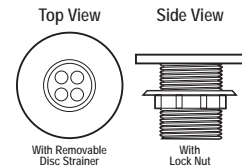
### DropIn® Sink Styles



#### Dimensions Key



#### S03-R

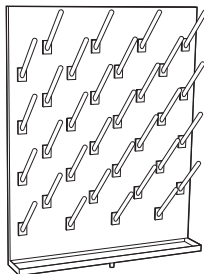


**INSTOCK** Epoxy resin sinks are only available in black

Sink Part No.	Length	Width	Depth	Outlet	Weight (lb)
D-30	18.0	15.0	11.0	Corner	49
D-55	25.0	15.0	10.0	Corner	60
LB-U04 Cup Style	6	3	3.7	---	--

- All sinks come with tail piece outlet

## Pegboards



### Stainless Steel Pegboards

Part Number	Size
LB-SS2430	24" W x 30" H
LB-SS3630	36" W x 30" H

Type 304 stainless steel peg-board with 32, 1/2" diameter, 6" long, white polypropylene pegs. Furnished with 4" wide drip trough and clear plastic drain tube.

With Finished Backs	Size
LB-SS2430FB	24" W x 30" H
LB-SS3630FB	36" W x 30" H





**SOUTHWEST SOLUTIONS GROUP**  
*business organization systems*

Labs Built With Trust As Strong As Steel



Proudly Made in the USA