



Modular Casework & Mail Center Furniture

Southwest Solutions Group
Specification Guide
1-800-803-1083
info@southwestsolutions.com
www.southwestsolutions.com
Rev #308

To Request Quote:

1. Determine quantities and part numbers

	Quantity	Part Number	Description
Example.	8	#S5-42	Standard Sized Sort Module – Closed Back

2. Fill in this information

Company Name: _____
Your Name (First and Last): _____
Address: _____
Suite Number: _____
City: _____
State: _____
Zip Code: _____
Phone: _____
E-Mail: _____

Ship To Address (for your freight quote if different from above address):

Company Name: _____
Point of Contact (First and Last): _____
Address: _____
Suite Number: _____
City: _____
State: _____
Zip Code: _____

3. E-mail your request to info@southwestsolutions.com and we will respond within 3 business days. If you have a question you can contact us direct at 1-800-803-1083 ext. 2204, or you can fax your request to 972-250-2229
4. We accept VISA, MASTERCARD, AMERICAN EXPRESS, Government Purchase Orders (GSA Contract, TXMAS Contract, and many State, County, and City Contracts are available), Purchase Orders from larger companies, and Healthcare Contracts.

Table of Contents

Terms & Definitions	pg. 4-7		
Master Series			
Sort Modules	8-21	Intermediate Shelves	46-50
Specifications	8	Specifications	46
Standard Size Modules	9-11	Half-Depth Shelves	47-48
Closed Back	9	for 30" high consoles	47
Open Back	10	for 36" high consoles	48
Plexiglass Back	11	Full-Depth Shelves	49-50
Legal Size Modules	12-14	for 30" high consoles	49
Closed Back	12	for 36" high consoles	50
Open Back	13	Corner Consoles & Modules	51
Plexiglass Back	14		
Oversize Modules	15-17	Console Accessories	52-55
Closed Back	15		
Open Back	16	Platforms	56-61
Plexiglass Back	17	Specifications	56
Zip Code Modules	18	3" high Platforms	57
Messaging Centers	19	6" high Platforms	57
Module Notes	20	12" high Platforms	58
Sort Modules & Corner Consoles	21	18" high Platforms	58
		24" high Platforms	59
		Platform Accessories	60
		Platform Notes	61
Freestanding Sort Modules	22-26	Executive Series	
Specifications	22	Consoles	62-65
Freestanding Sort Modules	23	Specifications	62
w/ Doors	23	Basic Consoles	63
w/ Bottom Storage Area	24	Consoles w/ Full Shelves	64
w/ Sliding Reference Shelf	24	Corner Consoles	64
w/ 12" Kickplate	25	Counter Consoles	64
Freestanding Sort Module Notes	26	Credenzas	65
Module Accessories	27-29	Overhead Units	66-67
Bulk Sort	30-31	Storage Units	68-69
Bulk Sort Units	30	Lateral Files	68
Bulk Sort Bins	31	Undertable Storage Units	68
		Bookcases	69
Consoles	32-45	Executive Mail Station	70-72
Specifications	32		
Basic Consoles	33-34	Electrical Accessories	73
30" high	33		
36" high	34	Carts	74-76
Consoles w/ Half Shelves	35-36	X-Ray Carts	74
30" high	35	Universal Carts	75
36" high	36		
Consoles w/ Full Shelves	37-38	Limited Lifetime Warranty	76
30" high	37		
36" high	38		
Cabinet Consoles	39-40		
30" high	39		
36" high	40		
Center-Mount Modesty Consoles	41		
Manifest Shipping Consoles	42		
Specialty Consoles	43-44		
Adjustable Consoles	43		
Scale Consoles	43		
Roller Consoles	44		
Shuttle Sort Systems	44		
Console Notes	45		

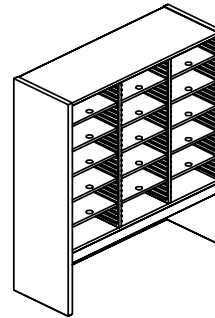
Terms & Definitions

The following glossary defines some of the basic components used in designing a MailCenter. Detailed dimensions and model numbers are indicated in the various sections of this price book.

Master Series

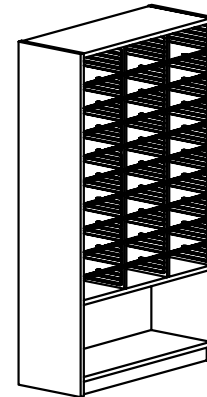
Sort Modules

One to six-sections wide, 18" to 48" high, with or without built-in risers. Support sorting shelves in 1" vertical increments. Sort Modules lock to the aluminum console frame and are available with closed back on the Hamilton Sorter Priority Program. Available with open backs and optional plexi-glass display boards and doors on standard lead-time.



Freestanding Sort Modules

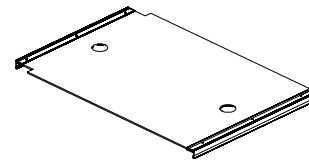
A stand-alone version of our sort modules. Three and four sections wide, 48" to 76" high. Available in full height or with optional bottom storage space on the Hamilton Sorter Priority Program. Available with optional doors and sliding reference shelf on standard lead-time.



Sorting Shelves

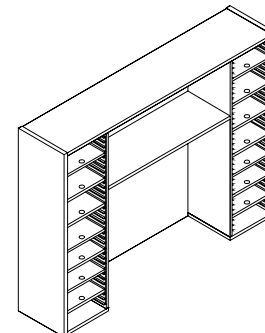
Available in three basic sizes, shelves come with full-width label channels with clear plastic covers. Shelves are available in black, brown & grey. Plastic shelves support up to 35 lbs., optional laminate shelves support up to 50 lbs., available on standard lead-time.

- Standard: 10³/₄" x 11⁷/₈" for letter-size documents, literature and forms.
- Legal: 10³/₄" x 15⁷/₈" for legal documents and spreadsheets.
- Oversize: 12³/₄" x 15⁷/₈" for full-size overnight envelopes, computer printouts and newspapers.



Messaging Center

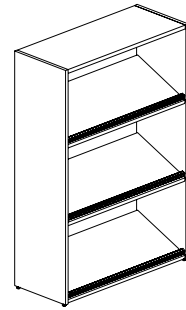
Messaging Centers allow you to include a supervisor station in a module run without breaking up the run's line. Opening and binder shelf can be positioned left, right or center.



Terms & Definitions

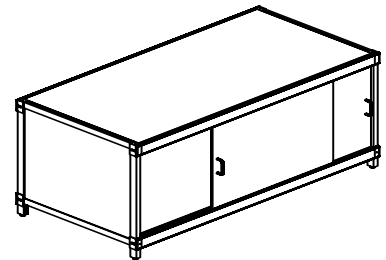
Bulk Sort Units

Units provide higher shelf clearances for sorting of larger packages. Available in desktop and freestanding units, with flat or angled shelves. Will accommodate a variety of tubs for bulk sorting large quantities of mail.



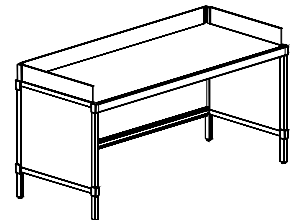
Consoles

Used alone or to support sort modules. Available with optional half and full-depth shelves and sliding doors. Widths range from 24" to 84", depths between 24" and 36" and heights of 30" and 36". Ergonomically designed with clear, anodized-aluminum frame.



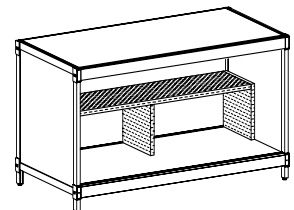
Dump Rims

Securely lock to the aluminum console frame to contain mail dumped on the worksurface for sorting. Can be used on individual or ganged consoles.



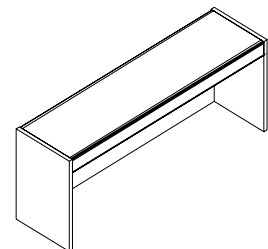
Intermediate Shelves

Can be placed inside consoles with full-depth shelves or sliding doors for additional storage space. Can easily be removed and re-inserted. Are available in half and full-depths in sizes to fit all standard-size consoles.



Platforms

Provide additional worksurface and clearance for machines. Lock into aluminum console frame for security. Available with optional aluminum extrusion for additional support and keyboard mounting.

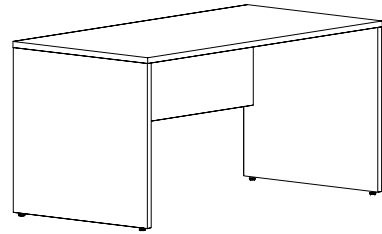


Terms & Definitions

Executive Series

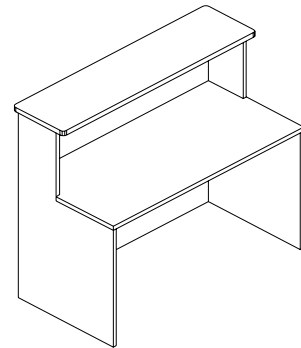
Consoles

Executive Consoles are light-use tables with no aluminum extrusions and are not intended for general mail center use. Available in a basic style, with a full shelf and a full shelf with doors. Consoles with half legs and corner Consoles can be combined to form a larger desking unit.



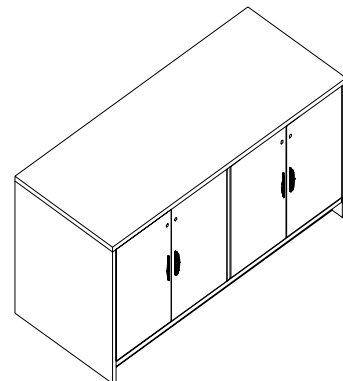
Counter Consoles

Counter Consoles feature a standard console combined with a 16" wide counter surface. Often used in reception areas, Counter Consoles are available in widths ranging from 48" to 72".



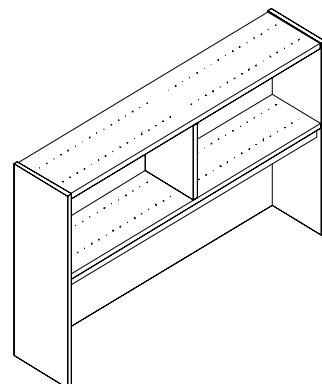
Credenzas

Credenzas feature hinged doors, black elliptical handles, a recessed 3" kickplate and interior, adjustable shelving. They are also available with or without predrilled mail slots. (See Executive Mail Station for Credenza with slots.)



Overhead Units

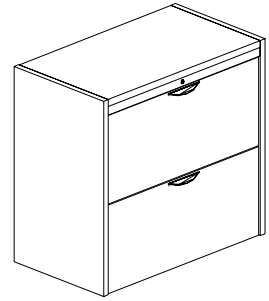
Storing items overhead can dramatically increase available worksurface. Overhead units are available with hinged or retractable doors or even no doors at all. Optional accessories include fabric-covered tackboards and undersurface task lights.



Terms & Definitions

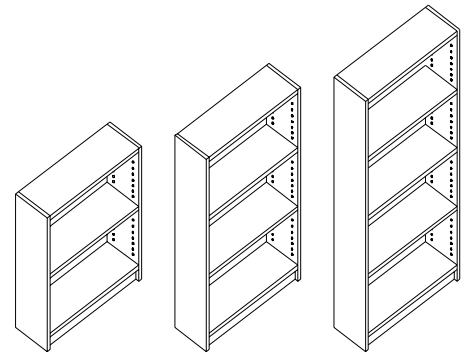
Storage Units

Lateral files are available in two, three and four drawer units while pedestals offer two and three drawer configurations. Pedestals are available in two heights, one of which permits undertable placement. Lateral files and pedestals all feature gang locks and anti-tip mechanisms.



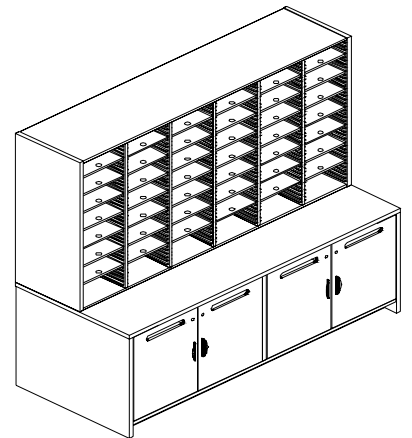
Bookcases

Executive Series Bookcases feature extra-deep, adjustable shelves to facilitate binder storage. Two widths and five heights combine to accommodate a variety of storage needs.



Executive Mail Stations

Provide a central location for mail-drop off and collection on each floor or within each department. Not intended for heavy mail-room use. Executive console doors feature optional mail slots for outgoing mail drop-off. Laminated trim offers an executive look for front office environments.



Master Series Sort Module Specifications

1. How to specify your module

example

- | | |
|--|--|
| <p>a. Select your base model number (see pg. 9-19)</p> | <p>O3-36PB</p> |
| <p>b. Select your riser options; leave blank if no riser is desired</p> <p>i) Add 'E' to indicate riser</p> <p>ii) Specify the riser height (3, 6, 12 or 18)</p> | <p>O3-36P<u>E</u></p> <p>O3-36P<u>E6</u></p> |
| <p>c. Specify your colors (see back cover for color codes)</p> <p>i) Laminate color</p> <p>ii) Edge banding color</p> <p>iii) Shelf/shelf support color (Black 007, Brown 004 or Grey 002)</p> | <p>O3-36P<u>E6-030</u></p> <p>O3-36P<u>E6-030-007</u></p> <p>O3-36P<u>E6-030-007-007</u></p> |

2. The following options must be specified

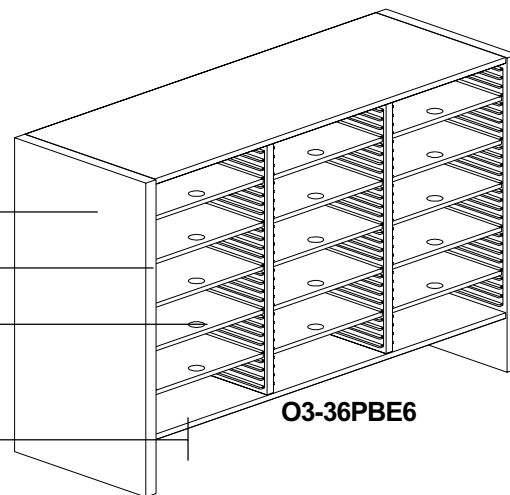
Module laminate _____

Edge banding color _____

Shelf/shelf support (Black, Brown or Grey only) _____

Riser options _____

- Closed or open-back
- Height



3. Explaining your specified model number

O3-36PBE6-030-007-007

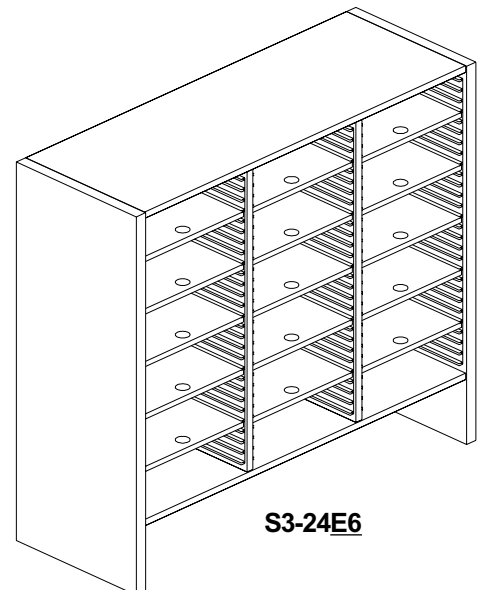
- | | |
|--|--|
| <p>a. Base model number</p> <ul style="list-style-type: none"> • Slot type <ul style="list-style-type: none"> S = standard size L = legal size O = oversize • Number of columns = 3 • Sorting height = 36" • Plexiglass back | <p><u>O3-36PB</u></p> <p>O3-36PB</p> <p>O3-<u>36</u>PB</p> <p>O3-36<u>PB</u></p> |
| <p>b. Specified riser option</p> <ul style="list-style-type: none"> O = open-back riser E3 = 3" riser E6 = 6" riser E12 = 12" riser E18 = 18" riser | <p>O3-36P<u>E6</u></p> |
| <p>c. Specified color options</p> <ul style="list-style-type: none"> • Laminate color = Graphite Nebula (030) • Edge banding color = Black (007) • Shelf/shelf support color = Black (007) | <p>O3-36P<u>E6-030</u></p> <p>O3-36P<u>E6-030-007</u></p> <p>O3-36P<u>E6-030-007-007</u></p> |

Standard-Size Sort Modules - Closed Back

Model #	Width	Slots	No Riser		3" Riser add 'E3' to model #		6" Riser add 'E6' to model #		12" Riser add 'E12' to model #		18" Riser add 'E18' to model #	
			Hgt	Wgt	Hgt	Wgt	Hgt	Wgt	Hgt	Wgt	Hgt	Wgt
S1-18	13 ^{1/16}	6	18	34	21	37	24	39	30	44	36	47
S2-18	24 ^{3/4}	12	18	51	21	54	24	56	30	63	36	68
S3-18	36 ^{7/16}	18	18	74	21	77	24	81	30	89	36	98
S4-18	48 ^{1/8}	24	18	92	21	95	24	100	30	110	36	120
S5-18	59 ^{13/16}	30	18	109	21	112	24	122	30	134	36	147
S6-18	71 ^{1/2}	36	18	125	21	128	24	144	30	158	36	176
S1-24	13 ^{1/16}	6	24	40	27	43	30	44	36	48	42	54
S2-24	24 ^{3/4}	12	24	58	27	61	30	65	36	70	42	77
S3-24	36 ^{7/16}	18	24	86	27	89	30	95	36	101	42	110
S4-24	48 ^{1/8}	24	24	107	27	110	30	117	36	125	42	135
S5-24	59 ^{13/16}	30	24	129	27	132	30	141	36	154	42	167
S6-24	71 ^{1/2}	36	24	150	27	153	30	165	36	182	42	198
S1-30	13 ^{1/16}	6	30	44	33	47	36	48	42	55	48	61
S2-30	24 ^{3/4}	12	30	67	33	70	36	73	42	79	48	86
S3-30	36 ^{7/16}	18	30	98	33	101	36	107	42	113	48	122
S4-30	48 ^{1/8}	24	30	122	33	125	36	132	42	142	48	152
S5-30	59 ^{13/16}	30	30	147	33	150	36	160	42	173	48	186
S6-30	71 ^{1/2}	36	30	173	33	176	36	188	42	205	48	221
S1-36	13 ^{1/16}	8	36	51	39	54	42	56	48	62		
S2-36	24 ^{3/4}	16	36	77	39	80	42	84	48	88		
S3-36	36 ^{7/16}	24	36	113	39	116	42	122	48	125		
S4-36	48 ^{1/8}	32	36	143	39	146	42	153	48	157		
S5-36	59 ^{13/16}	40	36	172	39	175	42	185	48	193		
S6-36	71 ^{1/2}	48	36	201	39	204	42	218	48	228		
S1-42	13 ^{1/16}	8	42	56	45	59	48	64				
S2-42	24 ^{3/4}	16	42	86	45	89	48	95				
S3-42	36 ^{7/16}	24	42	128	45	131	48	138				
S4-42	48 ^{1/8}	32	42	158	45	161	48	173				
S5-42	59 ^{13/16}	40	42	191	45	194	48	185				
S6-42	71 ^{1/2}	48	42	224	45	227	48	197				
S1-48	13 ^{1/16}	8	48	62								
S2-48	24 ^{3/4}	16	48	95								
S3-48	36 ^{7/16}	24	48	141								
S4-48	48 ^{1/8}	32	48	174								
S5-48	59 ^{13/16}	40	48	210								
S6-48	71 ^{1/2}	48	48	246								

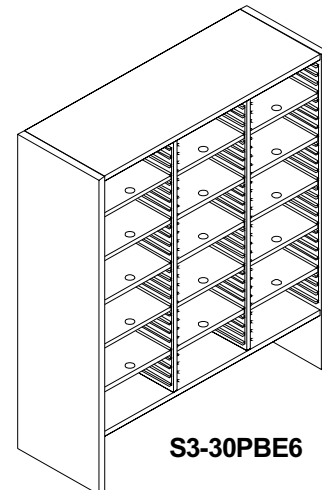
NOTE: Depth on all Standard-Size Sort Modules = 12^{7/8}"

NOTE: For riser sort modules, specify E3, E6, E12 or E18 after the model number



Standard-Size Sort Modules - Open Back

Model #	Width	Slots	No Riser		3" Riser add 'E3' to model #		6" Riser add 'E6' to model #		12" Riser add 'E12' to model #		18" Riser add 'E18' to model #	
			Hgt	Wgt	Hgt	Wgt	Hgt	Wgt	Hgt	Wgt	Hgt	Wgt
S1-18OB	13 ^{1/16}	6	18	34	21	36	24	39	30	44	36	47
S2-18OB	24 ^{3/4}	12	18	51	21	53	24	56	30	63	36	68
S3-18OB	36 ^{7/16}	18	18	74	21	78	24	81	30	89	36	98
S4-18OB	48 ^{1/8}	24	18	92	21	97	24	100	30	110	36	120
S5-18OB	59 ^{13/16}	30	18	109	21	119	24	122	30	134	36	147
S6-18OB	71 ^{1/2}	36	18	125	21	141	24	144	30	158	36	176
S1-24OB	13 ^{1/16}	6	24	40	27	41	30	44	36	48	42	54
S2-24OB	24 ^{3/4}	12	24	58	27	62	30	65	36	70	42	77
S3-24OB	36 ^{7/16}	18	24	86	27	92	30	95	36	101	42	110
S4-24OB	48 ^{1/8}	24	24	107	27	114	30	117	36	125	42	135
S5-24OB	59 ^{13/16}	30	24	129	27	138	30	141	36	154	42	167
S6-24OB	71 ^{1/2}	36	24	150	27	162	30	165	36	182	42	198
S1-30OB	13 ^{1/16}	6	30	44	33	45	36	48	42	55	48	61
S2-30OB	24 ^{3/4}	12	30	67	33	70	36	73	42	79	48	86
S3-30OB	36 ^{7/16}	18	30	98	33	104	36	107	42	113	48	122
S4-30OB	48 ^{1/8}	24	30	122	33	129	36	132	42	142	48	152
S5-30OB	59 ^{13/16}	30	30	147	33	157	36	160	42	173	48	186
S6-30OB	71 ^{1/2}	36	30	173	33	185	36	188	42	205	48	221
S1-36OB	13 ^{1/16}	8	36	51	39	53	42	56	48	62		
S2-36OB	24 ^{3/4}	16	36	77	39	81	42	84	48	88		
S3-36OB	36 ^{7/16}	24	36	113	39	119	42	122	48	125		
S4-36OB	48 ^{1/8}	32	36	143	39	150	42	153	48	157		
S5-36OB	59 ^{13/16}	40	36	172	39	182	42	185	48	193		
S6-36OB	71 ^{1/2}	48	36	201	39	215	42	218	48	228		
S1-42OB	13 ^{1/16}	8	42	56	45	61	48	64				
S2-42OB	24 ^{3/4}	16	42	86	45	92	48	95				
S3-42OB	36 ^{7/16}	24	42	128	45	135	48	138				
S4-42OB	48 ^{1/8}	32	42	158	45	170	48	173				
S5-42OB	59 ^{13/16}	40	42	191	45	182	48	185				
S6-42OB	71 ^{1/2}	48	42	224	45	194	48	197				
S1-48OB	13 ^{1/16}	8	48	62								
S2-48OB	24 ^{3/4}	16	48	95								
S3-48OB	36 ^{7/16}	24	48	141								
S4-48OB	48 ^{1/8}	32	48	174								
S5-48OB	59 ^{13/16}	40	48	210								
S6-48OB	71 ^{1/2}	48	48	246								



S3-30PBE6

NOTE: Depth on all Standard-Size Sort Modules = 12^{7/8}"

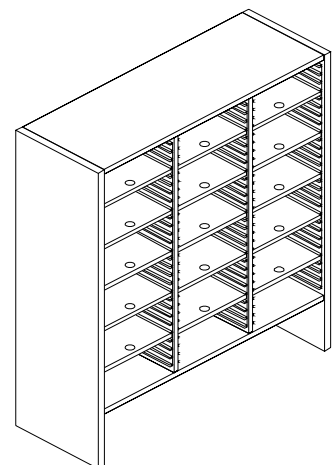
NOTE: For riser sort modules, specify E3, E6, E12 or E18 after the model number

Standard-Size Sort Modules - Plexiglass Back

Base #	Width	Slots	No Riser		3" Riser add 'E3' to model #		6" Riser add 'E6' to model #		12" Riser add 'E12' to model #		18" Riser add 'E18' to model #	
			Hgt	Wgt	Hgt	Wgt	Hgt	Wgt	Hgt	Wgt	Hgt	Wgt
S1-18PB	13 ^{1/16}	6	18	34	21	37	24	39	30	44	36	47
S2-18PB	24 ^{3/4}	12	18	51	21	54	24	56	30	63	36	68
S3-18PB	36 ^{7/16}	18	18	67	21	70	24	74	30	81	36	98
S4-18PB	48 ^{1/8}	24	18	84	21	87	24	91	30	100	36	109
S5-18PB	59 ^{13/16}	30	18	99	21	102	24	111	30	122	36	134
S6-18PB	71 ^{1/2}	36	18	114	21	117	24	131	30	144	36	160
S1-24PB	13 ^{1/16}	6	24	40	27	43	30	44	36	48	42	59
S2-24PB	24 ^{3/4}	12	24	58	27	61	30	65	36	70	42	77
S3-24PB	36 ^{7/16}	18	24	78	27	81	30	86	36	92	42	95
S4-24PB	48 ^{1/8}	24	24	97	27	100	30	106	36	114	42	123
S5-24PB	59 ^{13/16}	30	24	117	27	120	30	128	36	140	42	152
S6-24PB	71 ^{1/2}	36	24	136	27	139	30	150	36	165	42	180
S1-30PB	13 ^{1/16}	6	30	44	33	47	36	48	42	55	48	54
S2-30PB	24 ^{3/4}	12	30	67	33	70	36	73	42	79	48	77
S3-30PB	36 ^{7/16}	18	30	89	33	92	36	97	42	103	48	100
S4-30PB	48 ^{1/8}	24	30	111	33	114	36	120	42	129	48	138
S5-30PB	59 ^{13/16}	30	30	134	33	137	36	145	42	157	48	169
S6-30PB	71 ^{1/2}	36	30	157	33	160	36	171	42	186	48	201
S1-36PB	13 ^{1/16}	8	36	51	39	54	42	56	48	62		
S2-36PB	24 ^{3/4}	16	36	77	39	80	42	84	48	88		
S3-36PB	36 ^{7/16}	24	36	103	39	106	42	111	48	114		
S4-36PB	48 ^{1/8}	32	36	130	39	133	42	139	48	143		
S5-36PB	59 ^{13/16}	40	36	156	39	159	42	168	48	175		
S6-36PB	71 ^{1/2}	48	36	183	39	186	42	198	48	207		
S1-42PB	13 ^{1/16}	8	42	56	45	59	48	64				
S2-42PB	24 ^{3/4}	16	42	86	45	89	48	95				
S3-42PB	36 ^{7/16}	24	42	116	45	119	48	125				
S4-42PB	48 ^{1/8}	32	42	144	45	147	48	157				
S5-42PB	59 ^{13/16}	40	42	174	45	177	48	191				
S6-42PB	71 ^{1/2}	48	42	204	45	207	48	226				
S1-48PB	13 ^{1/16}	8	48	62								
S2-48PB	24 ^{3/4}	16	48	95								
S3-48PB	36 ^{7/16}	24	48	128								
S4-48PB	48 ^{1/8}	32	48	158								
S5-48PB	59 ^{13/16}	40	48	191								
S6-48PB	71 ^{1/2}	48	48	224								

NOTE: Depth on all Standard-Size Sort Modules = 12^{7/8}"

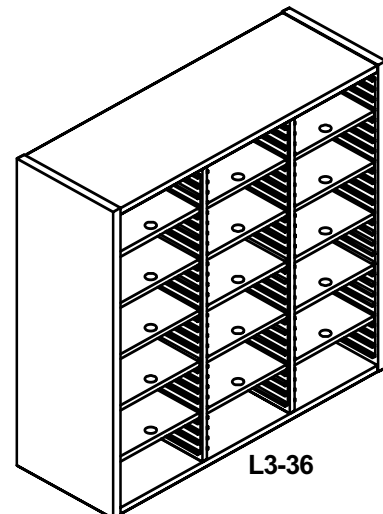
Note: For riser sort modules, specify E3, E6, E12 or E18 after the model number



S3-300BE6

Legal-Size Sort Modules - Closed Back

Base #	Width	Slots	No Riser		3" Riser add 'E3' to model #		6" Riser add 'E6' to model #		12" Riser add 'E12' to model #		18" Riser add 'E18' to model #	
			Hgt	Wgt	Hgt	Wgt	Hgt	Wgt	Hgt	Wgt	Hgt	Wgt
L1-18	13 ^{1/16}	6	18	40	21	43	24	45	30	52	36	57
L2-18	24 ^{3/4}	12	18	59	21	62	24	67	30	74	36	81
L3-18	36 ^{7/16}	18	18	87	21	90	24	97	30	107	36	117
L4-18	48 ^{1/8}	24	18	109	21	112	24	120	30	131	36	142
L5-18	59 ^{13/16}	30	18	131	21	134	24	145	30	161	36	176
L6-18	71 ^{1/2}	36	18	153	21	156	24	171	30	191	36	209
L1-24	13 ^{1/16}	6	24	46	27	49	30	52	36	59	42	64
L2-24	24 ^{3/4}	12	24	69	27	72	30	77	36	85	42	91
L3-24	36 ^{7/16}	18	24	103	27	106	30	112	36	121	42	131
L4-24	48 ^{1/8}	24	24	129	27	132	30	140	36	150	42	161
L5-24	59 ^{13/16}	30	24	155	27	158	30	169	36	184	42	198
L6-24	71 ^{1/2}	36	24	182	27	185	30	200	36	218	42	237
L1-30	13 ^{1/16}	6	30	53	33	56	36	58	42	65	48	70
L2-30	24 ^{3/4}	12	30	80	33	83	36	87	42	95	48	101
L3-30	36 ^{7/16}	18	30	119	33	122	36	128	42	136	48	145
L4-30	48 ^{1/8}	24	30	147	33	150	36	158	42	169	48	180
L5-30	59 ^{13/16}	30	30	178	33	181	36	193	42	207	48	221
L6-30	71 ^{1/2}	36	30	208	33	211	36	227	42	244	48	263
L1-36	13 ^{1/16}	8	36	61	39	64	42	67	48	70		
L2-36	24 ^{3/4}	16	36	92	39	95	42	100	48	105		
L3-36	36 ^{7/16}	24	36	136	39	139	42	146	48	153		
L4-36	48 ^{1/8}	32	36	172	39	175	42	183	48	189		
L5-36	59 ^{13/16}	40	36	207	39	210	42	221	48	230		
L6-36	71 ^{1/2}	48	36	242	39	245	42	261	48	271		
L1-42	13 ^{1/16}	8	42	68	45	71	48	76				
L2-42	24 ^{3/4}	16	42	103	45	106	48	113				
L3-42	36 ^{7/16}	24	42	153	45	156	48	166				
L4-42	48 ^{1/8}	32	42	191	45	194	48	207				
L5-42	59 ^{13/16}	40	42	231	45	234	48	221				
L6-42	71 ^{1/2}	48	42	271	45	274	48	237				
L1-48	13 ^{1/16}	8	48	76								
L2-48	24 ^{3/4}	16	48	114								
L3-48	36 ^{7/16}	24	48	168								
L4-48	48 ^{1/8}	32	48	210								
L5-48	59 ^{13/16}	40	48	242								
L6-48	71 ^{1/2}	48	48	300								



Note: Depth on all Legal-Size Sort Modules = 16^{7/8}"

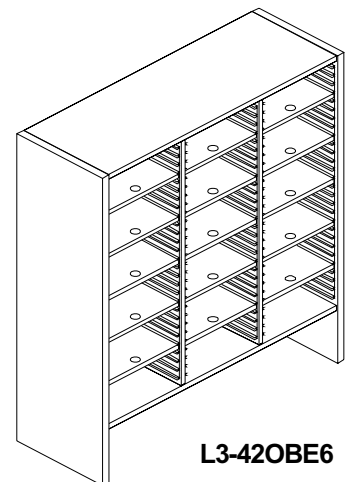
Note: For riser sort modules, specify E3, E6, E12 or E18 after the model number

Legal-Size Sort Modules - Open Back

Base #	Width	Slots	No Riser		3" Riser add 'E3' to model #		6" Riser add 'E6' to model #		12" Riser add 'E12' to model #		18" Riser add 'E18' to model #	
			Hgt	Wgt	Hgt	Wgt	Hgt	Wgt	Hgt	Wgt	Hgt	Wgt
L1-18OB	13 ^{1/16}	6	18	40	21	43	24	45	30	52	36	57
L2-18OB	24 ^{3/4}	12	18	59	21	62	24	67	30	74	36	81
L3-18OB	36 ^{7/16}	18	18	87	21	90	24	97	30	107	36	117
L4-18OB	48 ^{1/8}	24	18	109	21	112	24	120	30	131	36	142
L5-18OB	59 ^{13/16}	30	18	131	21	134	24	145	30	161	36	176
L6-18OB	71 ^{1/2}	36	18	153	21	156	24	171	30	191	36	209
L1-24OB	13 ^{1/16}	6	24	46	27	49	30	52	36	59	42	64
L2-24OB	24 ^{3/4}	12	24	69	27	72	30	77	36	85	42	91
L3-24OB	36 ^{7/16}	18	24	103	27	106	30	112	36	121	42	131
L4-24OB	48 ^{1/8}	24	24	129	27	132	30	140	36	150	42	161
L5-24OB	59 ^{13/16}	30	24	155	27	158	30	169	36	184	42	198
L6-24OB	71 ^{1/2}	36	24	182	27	185	30	200	36	218	42	237
L1-30OB	13 ^{1/16}	6	30	53	33	56	36	58	42	65	48	70
L2-30OB	24 ^{3/4}	12	30	80	33	83	36	87	42	95	48	101
L3-30OB	36 ^{7/16}	18	30	119	33	122	36	128	42	136	48	145
L4-30OB	48 ^{1/8}	24	30	147	33	150	36	158	42	169	48	180
L5-30OB	59 ^{13/16}	30	30	178	33	181	36	193	42	207	48	221
L6-30OB	71 ^{1/2}	36	30	208	33	211	36	227	42	244	48	263
L1-36OB	13 ^{1/16}	8	36	61	39	64	42	67	48	70		
L2-36OB	24 ^{3/4}	16	36	92	39	95	42	100	48	105		
L3-36OB	36 ^{7/16}	24	36	136	39	139	42	146	48	153		
L4-36OB	48 ^{1/8}	32	36	172	39	175	42	183	48	189		
L5-36OB	59 ^{13/16}	40	36	207	39	210	42	221	48	230		
L6-36OB	71 ^{1/2}	48	36	242	39	245	42	261	48	271		
L1-42OB	13 ^{1/16}	8	42	68	45	71	48	76				
L2-42OB	24 ^{3/4}	16	42	103	45	106	48	113				
L3-42OB	36 ^{7/16}	24	42	153	45	156	48	166				
L4-42OB	48 ^{1/8}	32	42	191	45	194	48	207				
L5-42OB	59 ^{13/16}	40	42	231	45	234	48	221				
L6-42OB	71 ^{1/2}	48	42	271	45	274	48	237				
L1-48OB	13 ^{1/16}	8	48	76								
L2-48OB	24 ^{3/4}	16	48	114								
L3-48OB	36 ^{7/16}	24	48	168								
L4-48OB	48 ^{1/8}	32	48	210								
L5-48OB	59 ^{13/16}	40	48	242								
L6-48OB	71 ^{1/2}	48	48	300								

Note: Depth on all Legal-Size Sort Modules = 16^{7/8}"

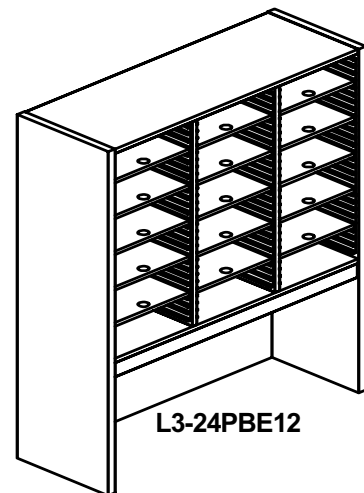
Note: For riser sort modules, specify E3, E6, E12 or E18 after the model number



L3-42OBE6

Legal-Size Sort Modules - Plexiglass Back

Base #	Width	Slots	No Riser		3" Riser add 'E3' to model #		6" Riser add 'E6' to model #		12" Riser add 'E12' to model #		18" Riser add 'E18' to model #	
			Hgt	Wgt	Hgt	Wgt	Hgt	Wgt	Hgt	Wgt	Hgt	Wgt
L1-18PB	13 ^{1/16}	6	18	40	21	43	24	45	30	52	36	57
L2-18PB	24 ^{3/4}	12	18	59	21	62	24	67	30	74	36	81
L3-18PB	36 ^{7/16}	18	18	79	21	82	24	88	30	97	36	106
L4-18PB	48 ^{1/8}	24	18	99	21	102	24	109	30	119	36	129
L5-18PB	59 ^{13/16}	30	18	119	21	122	24	132	30	146	36	160
L6-18PB	71 ^{1/2}	36	18	139	21	142	24	155	30	174	36	190
L1-24PB	13 ^{1/16}	6	24	46	27	49	30	52	36	59	42	72
L2-24PB	24 ^{3/4}	12	24	69	27	72	30	77	36	85	42	91
L3-24PB	36 ^{7/16}	18	24	94	27	97	30	102	36	110	42	111
L4-24PB	48 ^{1/8}	24	24	117	27	120	30	127	36	136	42	146
L5-24PB	59 ^{13/16}	30	24	141	27	144	30	154	36	167	42	180
L6-24PB	71 ^{1/2}	36	24	165	27	168	30	182	36	198	42	215
L1-30PB	13 ^{1/16}	6	30	53	33	56	36	58	42	65	48	79
L2-30PB	24 ^{3/4}	12	30	80	33	83	36	87	42	95	48	98
L3-30PB	36 ^{7/16}	18	30	108	33	111	36	116	42	124	48	117
L4-30PB	48 ^{1/8}	24	30	134	33	137	36	144	42	154	48	164
L5-30PB	59 ^{13/16}	30	30	162	33	165	36	175	42	188	48	201
L6-30PB	71 ^{1/2}	36	30	189	33	192	36	206	42	222	48	239
L1-36PB	13 ^{1/16}	8	36	61	39	64	42	67	48	70		
L2-36PB	24 ^{3/4}	16	36	92	39	95	42	100	48	105		
L3-36PB	36 ^{7/16}	24	36	124	39	127	42	133	48	139		
L4-36PB	48 ^{1/8}	32	36	156	39	159	42	166	48	172		
L5-36PB	59 ^{13/16}	40	36	188	39	191	42	201	48	209		
L6-36PB	71 ^{1/2}	48	36	220	39	223	42	237	48	246		
L1-42PB	13 ^{1/16}	8	42	68	45	71	48	76				
L2-42PB	24 ^{3/4}	16	42	103	45	106	48	113				
L3-42PB	36 ^{7/16}	24	42	139	45	142	48	151				
L4-42PB	48 ^{1/8}	32	42	174	45	177	48	288				
L5-42PB	59 ^{13/16}	40	42	210	45	213	48	228				
L6-42PB	71 ^{1/2}	48	42	246	45	249	48	267				
L1-48PB	13 ^{1/16}	8	48	76								
L2-48PB	24 ^{3/4}	16	48	114								
L3-48PB	36 ^{7/16}	24	48	153								
L4-48PB	48 ^{1/8}	32	48	191								
L5-48PB	59 ^{13/16}	40	48	232								
L6-48PB	71 ^{1/2}	48	48	273								



Note: Depth on all Legal-Size Sort Modules = 16^{7/8}"

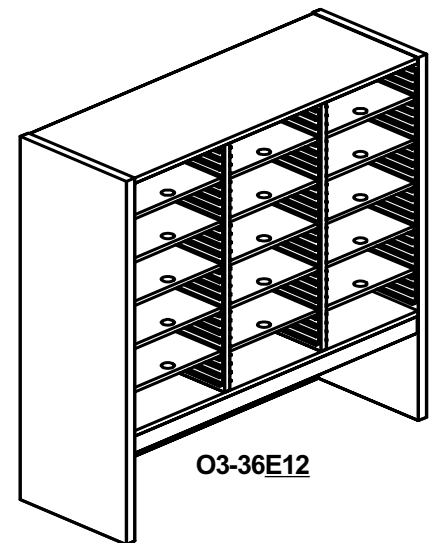
Note: For riser sort modules, specify E3, E6, E12 or E18 after the model number

Oversize Sort Modules - Closed Back

Base #	Width	Slots	No Riser		3" Riser add 'E3' to model #		6" Riser add 'E6' to model #		12" Riser add 'E12' to model #		18" Riser add 'E18' to model #	
			Hgt	Wgt	Hgt	Wgt	Hgt	Wgt	Hgt	Wgt	Hgt	Wgt
O1-18	15 ^{1/16}	6	18	42	21	45	24	48	30	55	36	61
O2-18	28 ^{3/4}	12	18	65	21	68	24	73	30	80	36	88
O3-18	42 ^{7/16}	18	18	97	21	100	24	107	30	118	36	128
O4-18	56 ^{1/8}	24	18	121	21	124	24	135	30	150	36	165
O5-18	69 ^{13/16}	30	18	146	21	149	24	162	30	179	36	195
O6-18	83 ^{1/2}	36	18	172	21	175	24	189	30	208	36	226
O1-24	15 ^{1/16}	6	24	50	27	53	30	55	36	62	42	67
O2-24	28 ^{3/4}	12	24	76	27	79	30	84	36	91	42	99
O3-24	42 ^{7/16}	18	24	112	27	115	30	123	36	133	42	144
O4-24	56 ^{1/8}	24	24	142	27	145	30	156	36	171	42	185
O5-24	69 ^{13/16}	30	24	172	27	175	30	188	36	204	42	220
O6-24	83 ^{1/2}	36	24	202	27	205	30	219	36	237	42	255
O1-30	15 ^{1/16}	6	30	56	33	59	36	63	42	69	48	74
O2-30	28 ^{3/4}	12	30	87	33	90	36	95	42	102	48	110
O3-30	42 ^{7/16}	18	30	130	33	133	36	140	42	149	48	161
O4-30	56 ^{1/8}	24	30	162	33	165	36	177	42	191	48	206
O5-30	69 ^{13/16}	30	30	196	33	199	36	212	42	229	48	245
O6-30	83 ^{1/2}	36	30	230	33	233	36	246	42	266	48	286
O1-36	15 ^{1/16}	8	36	64	39	67	42	69	48	77		
O2-36	28 ^{3/4}	16	36	10	39	13	42	108	48	113		
O3-36	42 ^{7/16}	24	36	150	39	153	42	161	48	165		
O4-36	56 ^{1/8}	32	36	190	39	193	42	204	48	212		
O5-36	69 ^{13/16}	40	36	229	39	232	42	245	48	254		
O6-36	83 ^{1/2}	48	36	267	39	270	42	288	48	297		
O1-42	15 ^{1/16}	8	42	72	45	75	48	76				
O2-42	28 ^{3/4}	16	42	111	45	114	48	121				
O3-42	42 ^{7/16}	24	42	166	45	169	48	183				
O4-42	56 ^{1/8}	32	42	210	45	213	48	230				
O5-42	69 ^{13/16}	40	42	254	45	257	48	245				
O6-42	83 ^{1/2}	48	42	298	\$45	\$301	48	262				
O1-48	15 ^{1/16}	8	48	438								
O2-48	28 ^{3/4}	16	48	666								
O3-48	42 ^{7/16}	24	48	894								
O4-48	56 ^{1/8}	32	48	1143								
O5-48	69 ^{13/16}	40	48	1409								
O6-48	83 ^{1/2}	48	48	1674								

Note: Depth on all Oversize Sort Modules = 16^{7/8}"

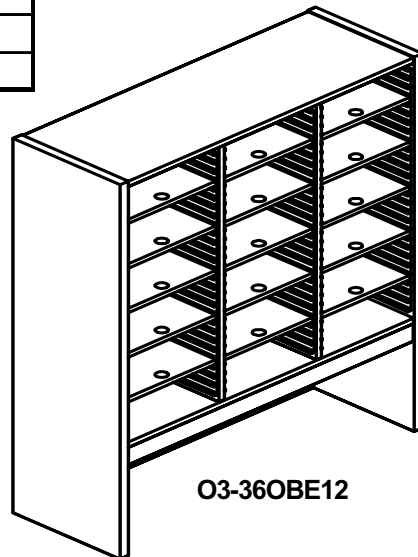
Note: For riser modules, specify E3, E6, E12 or E18 after the model number



O3-36E12

Oversize Sort Modules - Open Back

Base #	Width	Slots	No Riser		3" Riser add 'E3' to model #		6" Riser add 'E6' to model #		12" Riser add 'E12' to model #		18" Riser add 'E18' to model #	
			Hgt	Wgt	Hgt	Wgt	Hgt	Wgt	Hgt	Wgt	Hgt	Wgt
O1-18OB	15 ^{1/16}	6	18	42	21	45	24	48	30	55	36	61
O2-18OB	28 ^{3/4}	12	18	65	21	68	24	73	30	80	36	88
O3-18OB	42 ^{7/16}	18	18	97	21	100	24	107	30	118	36	128
O4-18OB	56 ^{1/8}	24	18	121	21	124	24	135	30	150	36	165
O5-18OB	69 ^{13/16}	30	18	146	21	149	24	162	30	179	36	195
O6-18OB	83 ^{1/2}	36	18	172	21	175	24	189	30	208	36	226
O1-24OB	15 ^{1/16}	6	24	50	27	53	30	55	36	62	42	67
O2-24OB	28 ^{3/4}	12	24	76	27	79	30	84	36	91	42	99
O3-24OB	42 ^{7/16}	18	24	112	27	115	30	123	36	133	42	144
O4-24OB	56 ^{1/8}	24	24	142	27	145	30	156	36	171	42	185
O5-24OB	69 ^{13/16}	30	24	172	27	175	30	188	36	204	42	220
O6-24OB	83 ^{1/2}	36	24	202	27	205	30	219	36	237	42	255
O1-30OB	15 ^{1/16}	6	30	56	33	59	36	63	42	69	48	74
O2-30OB	28 ^{3/4}	12	30	87	33	90	36	95	42	102	48	110
O3-30OB	42 ^{7/16}	18	30	130	33	133	36	140	42	149	48	161
O4-30OB	56 ^{1/8}	24	30	162	33	165	36	177	42	191	48	206
O5-30OB	69 ^{13/16}	30	30	196	33	199	36	212	42	229	48	245
O6-30OB	83 ^{1/2}	36	30	230	33	233	36	246	42	266	48	286
O1-36OB	15 ^{1/16}	8	36	64	39	67	42	69	48	77		
O2-36OB	28 ^{3/4}	16	36	10	39	13	42	108	48	113		
O3-36OB	42 ^{7/16}	24	36	150	39	153	42	161	48	165		
O4-36OB	56 ^{1/8}	32	36	190	39	193	42	204	48	212		
O5-36OB	69 ^{13/16}	40	36	229	39	232	42	245	48	254		
O6-36OB	83 ^{1/2}	48	36	267	39	270	42	288	48	297		
O1-42OB	15 ^{1/16}	8	42	72	45	75	48	76				
O2-42OB	28 ^{3/4}	16	42	111	45	114	48	121				
O3-42OB	42 ^{7/16}	24	42	166	45	169	48	183				
O4-42OB	56 ^{1/8}	32	42	210	45	213	48	230				
O5-42OB	69 ^{13/16}	40	42	254	45	257	48	245				
O6-42OB	83 ^{1/2}	48	42	298	45	301	48	262				
O1-48OB	15 ^{1/16}	8	48	438								
O2-48OB	28 ^{3/4}	16	48	666								
O3-48OB	42 ^{7/16}	24	48	894								
O4-48OB	56 ^{1/8}	32	48	1143								
O5-48OB	69 ^{13/16}	40	48	1409								
O6-48OB	83 ^{1/2}	48	48	1674								



O3-36OBE12

Note: Depth on all Oversize Sort Modules = 16^{7/8}"

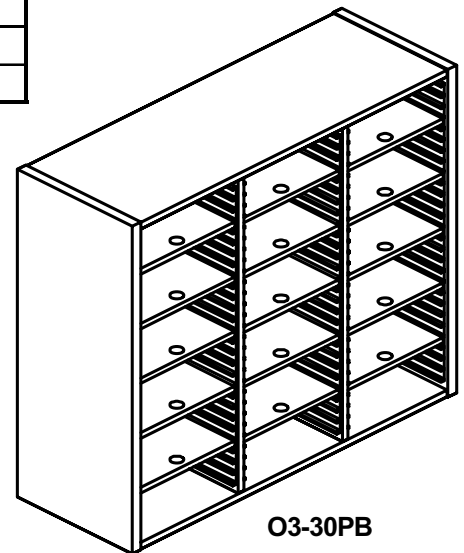
Note: For riser modules, specify E3, E6, E12 or E18 after the model number

Oversize Sort Modules - Plexiglass Back

Base #	Width	Slots	No Riser		3" Riser add 'E3' to model #		6" Riser add 'E6' to model #		12" Riser add 'E12' to model #		18" Riser add 'E18' to model #	
			Hgt	Wgt	Hgt	Wgt	Hgt	Wgt	Hgt	Wgt	Hgt	Wgt
O1-18PB	15 ^{1/16}	6	18	42	21	45	24	48	30	55	36	61
O2-18PB	28 ^{3/4}	12	18	65	21	68	24	73	30	80	36	88
O3-18PB	42 ^{7/16}	18	18	88	21	91	24	97	30	107	36	116
O4-18PB	56 ^{1/8}	24	18	110	21	113	24	123	30	136	36	150
O5-18PB	69 ^{13/16}	30	18	133	21	136	24	147	30	163	36	177
O6-18PB	83 ^{1/2}	36	18	156	21	159	24	172	30	189	36	205
O1-24PB	15 ^{1/16}	6	24	50	27	53	30	55	36	62	42	77
O2-24PB	28 ^{3/4}	12	24	76	27	79	30	84	36	91	42	99
O3-24PB	42 ^{7/16}	18	24	102	27	105	30	112	36	121	42	121
O4-24PB	56 ^{1/8}	24	24	129	27	132	30	142	36	155	42	168
O5-24PB	69 ^{13/16}	30	24	156	27	159	30	171	36	185	42	200
O6-24PB	83 ^{1/2}	36	24	184	27	187	30	199	36	215	42	232
O1-30PB	15 ^{1/16}	6	30	56	33	59	36	63	42	69	48	72
O2-30PB	28 ^{3/4}	12	30	87	33	90	36	95	42	102	48	99
O3-30PB	42 ^{7/16}	18	30	118	33	121	36	127	42	135	48	127
O4-30PB	56 ^{1/8}	24	30	147	33	150	36	161	42	174	48	187
O5-30PB	69 ^{13/16}	30	30	178	33	181	36	193	42	208	48	223
O6-30PB	83 ^{1/2}	36	30	209	33	212	36	224	42	242	48	260
O1-36PB	15 ^{1/16}	8	36	64	39	67	42	69	48	77		
O2-36PB	28 ^{3/4}	16	36	100	39	103	42	108	48	113		
O3-36PB	42 ^{7/16}	24	36	136	39	139	42	146	48	150		
O4-36PB	56 ^{1/8}	32	36	173	39	176	42	185	48	193		
O5-36PB	69 ^{13/16}	40	36	208	39	211	42	223	48	231		
O6-36PB	83 ^{1/2}	48	36	243	39	246	42	262	48	270		
O1-42PB	15 ^{1/16}	8	42	72	45	75	48	76				
O2-42PB	28 ^{3/4}	16	42	111	45	114	48	121				
O3-42PB	42 ^{7/16}	24	42	151	45	154	48	166				
O4-42PB	56 ^{1/8}	32	42	191	45	194	48	209				
O5-42PB	69 ^{13/16}	40	42	231	45	234	48	254				
O6-42PB	83 ^{1/2}	48	42	271	45	274	48	299				
O1-48PB	15 ^{1/16}	8	48	79								
O2-48PB	28 ^{3/4}	16	48	122								
O3-48PB	42 ^{7/16}	24	48	165								
O4-48PB	56 ^{1/8}	32	48	210								
O5-48PB	69 ^{13/16}	40	48	254								
O6-48PB	83 ^{1/2}	48	48	298								

Note: Depth on all Oversize Sort Modules = 16^{7/8}"

Note: For riser modules, specify E3, E6, E12 or E18 after the model number



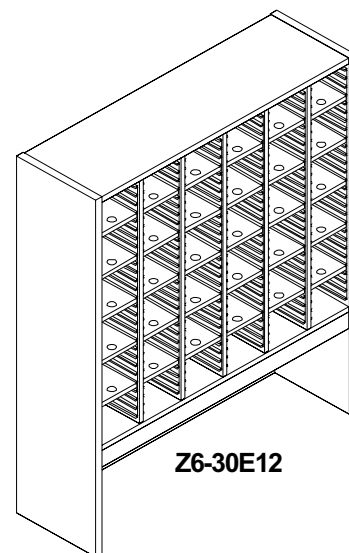
O3-30PB

ZIP Code Sort Modules - Closed Back

Base #	Width	Slots	No Platform		3" Riser add 'E3' to model #		6" Platform add 'E6' to model #		12" Platform add 'E12' to model #		18" Platform add 'E18' to model #	
			Hgt	Wgt	Hgt	Wgt	Hgt	Wgt	Hgt	Wgt	Hgt	Wgt
Z2-18	15 ^{1/16}	12	18	50	21	53	24	56	30	63	36	68
Z4-18	28 ^{3/4}	24	18	80	21	83	24	88	30	96	36	103
Z6-18	42 ^{7/16}	36	18	110	21	113	24	120	30	129	36	139
Z8-18	56 ^{1/8}	48	18	141	21	144	24	154	30	167	36	180
Z10-18	69 ^{13/16}	60	18	171	21	174	24	185	30	200	36	215
Z12-18	83 ^{1/2}	72	18	200	21	203	24	216	30	233	36	249
Z2-24	15 ^{1/16}	12	24	59	27	62	30	65	36	72	42	54
Z4-24	28 ^{3/4}	24	24	96	27	99	30	103	36	111	42	119
Z6-24	42 ^{7/16}	36	24	132	27	135	30	142	36	151	42	160
Z8-24	56 ^{1/8}	48	24	168	27	171	30	182	36	195	42	208
Z10-24	69 ^{13/16}	60	24	205	27	208	30	219	36	234	42	249
Z12-24	83 ^{1/2}	72	24	241	27	244	30	256	36	274	42	289
Z2-30	15 ^{1/16}	12	30	68	33	71	36	75	42	80	48	88
Z4-30	28 ^{3/4}	24	30	111	33	114	36	119	42	127	48	134
Z6-30	42 ^{7/16}	36	30	154	33	157	36	163	42	173	48	180
Z8-30	56 ^{1/8}	48	30	197	33	200	36	209	42	222	48	235
Z10-30	69 ^{13/16}	60	30	239	33	242	36	253	42	268	48	283
Z12-30	83 ^{1/2}	72	30	281	33	284	36	297	42	315	48	330
Z2-36	15 ^{1/16}	16	36	79	39	82	42	85	48	89		
Z4-36	28 ^{3/4}	32	36	130	39	133	42	138	48	142		
Z6-36	42 ^{7/16}	48	36	180	39	183	42	190	48	195		
Z8-36	56 ^{1/8}	64	36	231	39	234	42	244	48	250		
Z10-36	69 ^{13/16}	80	36	282	39	285	42	296	48	303		
Z12-36	83 ^{1/2}	96	36	332	39	335	42	348	48	355		
Z2-42	15 ^{1/16}	16	42	90	45	93	48	95				
Z4-42	28 ^{3/4}	32	42	149	45	152	48	156				
Z6-42	42 ^{7/16}	48	42	207	45	210	48	218				
Z8-42	56 ^{1/8}	64	42	265	45	268	48	279				
Z10-42	69 ^{13/16}	80	42	325	45	328	48	339				
Z12-42	83 ^{1/2}	96	42	384	45	387	48	398				
Z2-48	15 ^{1/16}	16	48	101								
Z4-48	28 ^{3/4}	32	48	167								
Z6-48	42 ^{7/16}	48	48	233								
Z8-48	56 ^{1/8}	64	48	299								
Z10-48	69 ^{13/16}	80	48	367								
Z12-48	83 ^{1/2}	96	48	436								

Note: Depth on all Zip Code Sort Modules = 12^{7/8"}

Note: For platform modules, specify E3, E6, E12 or E18 after the model number



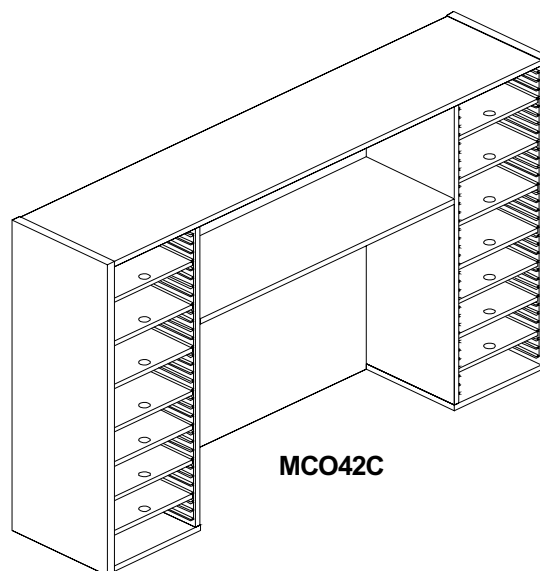
Z6-30E12

All dimensions are shown in inches

Messaging Centers

1. Messaging Centers feature a 28" w x 24" high open area for computer monitors or supplies.
2. Messaging Centers include 20 sorting shelves and one binder shelf.

<i>Model #</i>	<i>Description</i>	<i>Width</i>	<i>Depth</i>	<i>Height</i>	<i>Weight</i>
MCS36C	standard size w/ centered opening	59 ^{13/16}	12 ^{7/8}	36	180
MCS36R	standard size w/ right side opening	59 ^{13/16}	12 ^{7/8}	36	180
MCS36L	standard size w/ left side opening	59 ^{13/16}	12 ^{7/8}	36	180
MCS42C	standard size w/ centered opening	59 ^{13/16}	12 ^{7/8}	42	
MCS42R	standard size w/ right side opening	59 ^{13/16}	12 ^{7/8}	42	200
MCS42L	standard size w/ left side opening	59 ^{13/16}	12 ^{7/8}	42	200
MCS48C	standard size w/ centered opening	59 ^{13/16}	12 ^{7/8}	48	225
MCS48R	standard size w/ side side opening	59 ^{13/16}	12 ^{7/8}	48	225
MCS48L	standard size w/ left side opening	59 ^{13/16}	12 ^{7/8}	48	225
MCO36C	oversize w/ centered opening	69 ^{13/16}	16 ^{7/8}	36	229
MCO36R	oversize w/ right side opening	69 ^{13/16}	16 ^{7/8}	36	229
MCO36L	oversize w/ left side opening	69 ^{13/16}	16 ^{7/8}	36	229
MCO42C	oversize w/ centered opening	69 ^{13/16}	16 ^{7/8}	42	250
MCO42R	oversize w/ right side opening	69 ^{13/16}	16 ^{7/8}	42	250
MCO42L	oversize w/ left side opening	69 ^{13/16}	16 ^{7/8}	42	250
MCO48C	oversize w/ centered opening	69 ^{13/16}	16 ^{7/8}	48	275
MCO48R	oversize w/ right side opening	69 ^{13/16}	16 ^{7/8}	48	275
MCO48L	oversize w/ left side opening	69 ^{13/16}	16 ^{7/8}	48	275



Module Notes

1. To calculate sorting inches, take the total height of the unit, subtract any riser, subtract 2" for the top and bottom of the unit. That gives you sorting inches per column. Then multiply by the number of columns. Example: S5-30E6; 36 (total height) - 6 (riser) - 2 (top & bottom) = 28 sorting inches per column X 5 columns = 140 total sorting inches.
2. Shelves and shelf supports are available in black, brown and grey. Shelf supports are placed in 1" increments.
3. Modules with sorting heights of 18", 24" and 30" include five shelves per column, providing a total of six mail slots per column. Modules with sorting heights of 36", 42" and 48" include seven shelves per column, providing a total of eight mail slots per column. Example: An S5-30 comes with five shelves for each of the five columns for a total of 25 shelves. Six slots for each of the five columns equal a total of 30 mail slots.
4. If a module has a riser, use the sorting height only to calculate the number of shelves included. Example: S5-30E6 has a total height of 36" but a sorting height of only 30". Five shelves are included with this module.
5. Additional shelves can be ordered if more slots are required. Shelves can also be deleted if fewer slots are required (see page 30).
6. Inside Column Dimensions (between shelf supports)

<u>Size</u>	<u>Inside Width</u>	<u>Inside Depth</u>
Standard	10 ¹ / ₈ "	12"
Legal	10 ¹ / ₈ "	16"
Oversize	12 ¹ / ₈ "	16"
7. Modules with 6" risers that are 54" or more in width have a center riser leg. All modules with 12" or 18" risers feature a 2" front fascia on the riser. (Clearance = riser height - 2"). All modules with 12" or 18" open risers have a 2" fascia on the riser front and back. Open-back modules with no riser have a 2" fascia across the upper rear. These features help maintain stability of the unit.
8. Open-back modules must have closed-back risers and modules with open-back risers must be closed back. This helps maintain the stability of the unit.
8. If module is to be mounted in the center of the table, order a CX console (centered modesty, pg. 41) for additional support.
10. Module width and depth cannot be modified. Reduction in the height of the overall module or riser requires an upcharge.
11. To change the platform height from 6" to 3" while retaining the overall height of the module, change the model number suffix from 'E6' to 'E3' and add 3" to the sorting height. For example, an S5-42E6 would become an S5-45E3. Add the modification charge to the price of the original module.
12. Modules with 3" risers are closed in the the front and back of the riser and fasten to the console with a locking cam accessed from outside of the module.
13. All modules are shipped fully assembled. When getting freight quotes, specify Class 100. If dimensions are required, add 3" to each dimension for packing materials.

Corner Consoles & Modules

To get modules and consoles in the corners of 'L' or 'U' shaped configurations to line up, use the following guidelines:

Standard-Size Modules:

(figure 1)

- Use a 30" deep console on each side of the corner unit
- Use a 30" wide x 30" deep CT console for the corner unit
- Use a two-section, standard-size module for the corner unit

Legal-Size Modules:

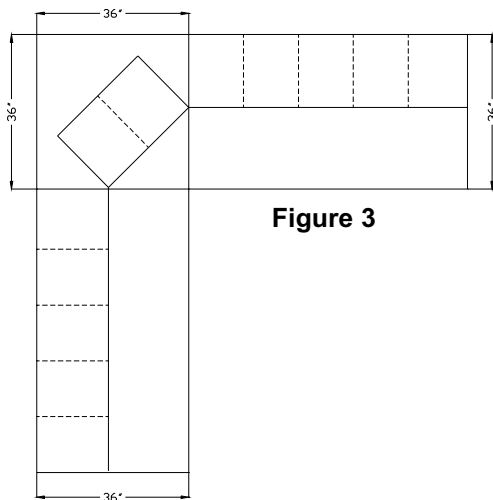
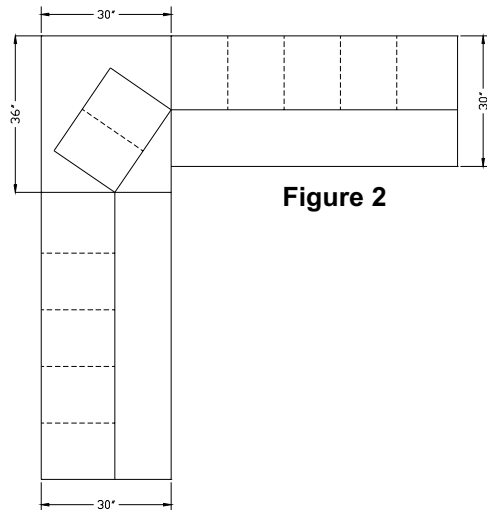
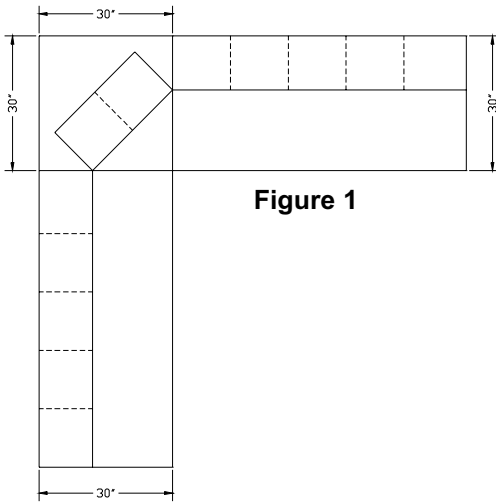
(figure 2)

- Use a 30" deep console on each side of the corner unit
- Use a 36" wide x 30" deep CT console for the corner unit
- Use a two-section, legal-size module for the corner unit

Oversize Modules:

(figure 3)

- Use a 36" deep console on each side of the corner unit
- Use a 36" wide x 36" deep console for the corner unit
- Use a two-section, oversize module for the corner unit



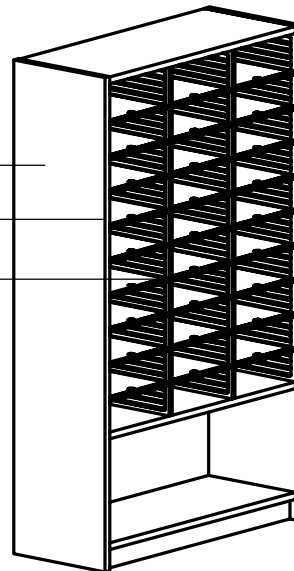
Master Series Freestanding Sort Module Specifications

1. How to specify your Freestanding Sort Module

- | | | |
|------|---|---------------------------------|
| a. | Select your base model number (see pg. 23-25) | FSM421672LB |
| b. | Specify your colors (see back cover for color codes) | |
| i) | Laminate color | FSM421672LB- 050 |
| ii) | Edge banding color | FSM421672LB-050- 050 |
| iii) | Shelf/shelf support color
(Black 007, Brown 004 or Grey 002) | FSM421672LB-050-050- 004 |

2. The following options must be specified

- Module laminate _____
- Edge banding color _____
- Shelf/shelf support (Black, Brown or Grey only) _____



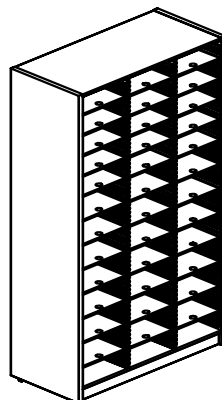
FSM421672LB

3. Explaining your specified model number

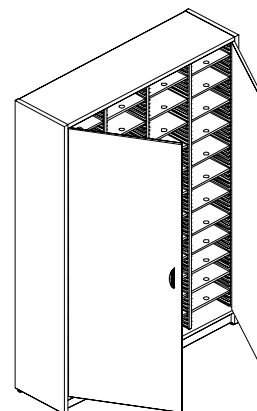
- | | | |
|----|---|---------------------------------|
| a. | Base model number | |
| | • Width = 42" | FSM 42 1672LB |
| | • Depth = 16" | FSM42 16 72LB |
| | • Height = 72" | FSM4216 72 LB |
| | • Slot type | FSM421672 L B |
| | S = standard size | |
| | L = legal size | |
| | O = oversize | |
| | • With Bottom Storage Area | FSM421672 L B |
| b. | Specified color options | |
| | • Laminate color = Natural Almond (050) | FSM421672LB- 050 |
| | • Edge banding color = Natural Almond (050) | FSM421672LB-050- 050 |
| | • Shelf/shelf support color = Brown (004) | FSM421672LB-050-050- 004 |

Freestanding Sort Modules

Model #	Sections	Width	Depth	Hgt	Slots	Wgt	w/ doors add 'D' to model #
							Wgt
FSM361248S	Three	36 ^{7/16}	12 ^{7/8}	48	39	186	217
FSM361260S	Three	36 ^{7/16}	12 ^{7/8}	60	39	207	244
FSM361266S	Three	36 ^{7/16}	12 ^{7/8}	66	39	217	259
FSM361272S	Three	36 ^{7/16}	12 ^{7/8}	72	39	228	274
FSM361276S	Three	36 ^{7/16}	12 ^{7/8}	76	39	234	282
FSM481248S	Four	48 ^{1/8}	12 ^{7/8}	48	52	226	265
FSM481260S	Four	48 ^{1/8}	12 ^{7/8}	60	52	252	303
FSM481266S	Four	48 ^{1/8}	12 ^{7/8}	66	52	265	321
FSM481272S	Four	48 ^{1/8}	12 ^{7/8}	72	52	273	333
FSM481276S	Four	48 ^{1/8}	12 ^{7/8}	76	52	281	345
FSM361648L	Three	36 ^{7/16}	16 ^{7/8}	48	39	213	243
FSM361660L	Three	36 ^{7/16}	16 ^{7/8}	60	39	239	277
FSM361666L	Three	36 ^{7/16}	16 ^{7/8}	66	39	252	293
FSM361672L	Three	36 ^{7/16}	16 ^{7/8}	72	39	264	318
FSM361676L	Three	36 ^{7/16}	16 ^{7/8}	76	39	282	330
FSM481648L	Four	48 ^{1/8}	16 ^{7/8}	48	52	253	294
FSM481660L	Four	48 ^{1/8}	16 ^{7/8}	60	52	286	337
FSM481666L	Four	48 ^{1/8}	16 ^{7/8}	66	52	301	358
FSM481672L	Four	48 ^{1/8}	16 ^{7/8}	72	52	317	377
FSM481676L	Four	48 ^{1/8}	16 ^{7/8}	76	52	327	391
FSM421648O	Three	42 ^{7/16}	16 ^{7/8}	48	39	238	274
FSM421660O	Three	42 ^{7/16}	16 ^{7/8}	60	39	266	310
FSM421666O	Three	42 ^{7/16}	16 ^{7/8}	66	39	279	329
FSM421672O	Three	42 ^{7/16}	16 ^{7/8}	72	39	294	348
FSM421676O	Three	42 ^{7/16}	16 ^{7/8}	76	39	304	360
FSM561648O	Four	56 ^{1/8}	16 ^{7/8}	48	52	277	329
FSM561660O	Four	56 ^{1/8}	16 ^{7/8}	60	52	317	375
FSM561666O	Four	56 ^{1/8}	16 ^{7/8}	66	52	334	398
FSM561672O	Four	56 ^{1/8}	16 ^{7/8}	72	52	352	421
FSM561676O	Four	56 ^{1/8}	16 ^{7/8}	76	52	363	437



FSM361672S



FSM481276SD

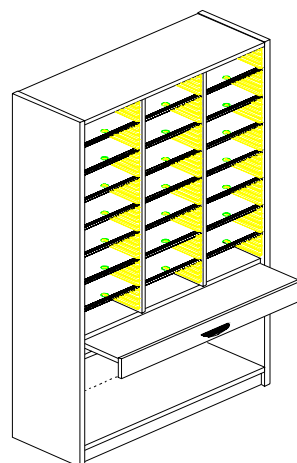
All dimensions are shown in inches

Freestanding Sort Modules w/ Bottom Storage Area

Model #	Sections	Width	Depth	Hgt	Slots	Wgt	w/ sliding ref. shelf
							add 'SR' to model#
FSM361248SB	Three	36 ^{7/16}	12 ^{7/8}	48	24	189	239
FSM361260SB	Three	36 ^{7/16}	12 ^{7/8}	60	24	209	259
FSM361266SB	Three	36 ^{7/16}	12 ^{7/8}	66	24	220	270
FSM361272SB	Three	36 ^{7/16}	12 ^{7/8}	72	24	230	280
FSM361276SB	Three	36 ^{7/16}	12 ^{7/8}	76	24	238	288
FSM481248SB	Four	48 ^{1/8}	12 ^{7/8}	48	32	227	277
FSM481260SB	Four	48 ^{1/8}	12 ^{7/8}	60	32	253	303
FSM481266SB	Four	48 ^{1/8}	12 ^{7/8}	66	32	266	316
FSM481272SB	Four	48 ^{1/8}	12 ^{7/8}	72	32	276	326
FSM481276SB	Four	48 ^{1/8}	12 ^{7/8}	76	32	285	335
FSM361648LB	Three	36 ^{7/16}	16 ^{7/8}	48	24	213	263
FSM361660LB	Three	36 ^{7/16}	16 ^{7/8}	60	24	239	289
FSM361666LB	Three	36 ^{7/16}	16 ^{7/8}	66	24	251	301
FSM361672LB	Three	36 ^{7/16}	16 ^{7/8}	72	24	264	314
FSM361676LB	Three	36 ^{7/16}	16 ^{7/8}	76	24	278	328
FSM481648LB	Four	48 ^{1/8}	16 ^{7/8}	48	32	254	304
FSM481660LB	Four	48 ^{1/8}	16 ^{7/8}	60	32	286	336
FSM481666LB	Four	48 ^{1/8}	16 ^{7/8}	66	32	301	351
FSM481672LB	Four	48 ^{1/8}	16 ^{7/8}	72	32	317	367
FSM481676LB	Four	48 ^{1/8}	16 ^{7/8}	76	32	328	378
FSM421648OB	Three	42 ^{7/16}	16 ^{7/8}	48	24	239	289
FSM421660OB	Three	42 ^{7/16}	16 ^{7/8}	60	24	266	316
FSM421666OB	Three	42 ^{7/16}	16 ^{7/8}	66	24	281	331
FSM421672OB	Three	42 ^{7/16}	16 ^{7/8}	72	24	294	344
FSM421676OB	Three	42 ^{7/16}	16 ^{7/8}	76	24	304	354
FSM561648OB	Four	56 ^{1/8}	16 ^{7/8}	48	32	285	335
FSM561660OB	Four	56 ^{1/8}	16 ^{7/8}	60	32	318	368
FSM561666OB	Four	56 ^{1/8}	16 ^{7/8}	66	32	337	387
FSM561672OB	Four	56 ^{1/8}	16 ^{7/8}	72	32	353	403
FSM561676OB	Four	56 ^{1/8}	16 ^{7/8}	76	32	364	414

Accessories

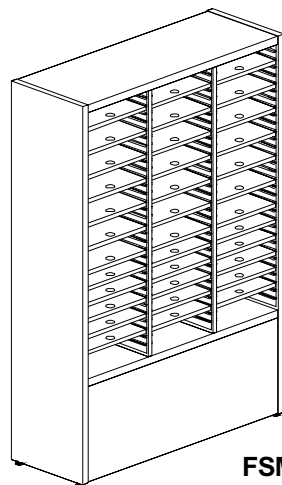
Model #	Description
FSMD36B	Sliding doors for FSM w/ bottom storage area - 36" w FSM
FSMD42B	Sliding doors for FSM w/ bottom storage area - 42" w FSM
FSMD48B	Sliding doors for FSM w/ bottom storage area - 48" w FSM
FSMD56B	Sliding doors for FSM w/ bottom storage area - 56" w FSM
FSMD36BSR	Sliding doors for FSM w/ sliding reference shelf - 36" w FSM
FSMD42BSR	Sliding doors for FSM w/ sliding reference shelf - 42" w FSM
FSMD48BSR	Sliding doors for FSM w/ sliding reference shelf - 48" w FSM
FSMD56BSR	Sliding doors for FSM w/ sliding reference shelf - 56" w FSM



FSM361260SBSR

Freestanding Sort Module w/ 12" Kickplate

Model #	Sections	Width	Depth	Hgt	Slots	Wgt
FSM361248SK	Three	36 ^{7/16}	12 ^{7/8}	48	39	186
FSM361260SK	Three	36 ^{7/16}	12 ^{7/8}	60	39	207
FSM361266SK	Three	36 ^{7/16}	12 ^{7/8}	66	39	217
FSM361272SK	Three	36 ^{7/16}	12 ^{7/8}	72	39	228
FSM361276SK	Three	36 ^{7/16}	12 ^{7/8}	76	39	234
FSM481248SK	Four	48 ^{1/8}	12 ^{7/8}	48	52	226
FSM481260SK	Four	48 ^{1/8}	12 ^{7/8}	60	52	252
FSM481266SK	Four	48 ^{1/8}	12 ^{7/8}	66	52	265
FSM481272SK	Four	48 ^{1/8}	12 ^{7/8}	72	52	273
FSM481276SK	Four	48 ^{1/8}	12 ^{7/8}	76	52	281
FSM361648LK	Three	36 ^{7/16}	16 ^{7/8}	48	39	213
FSM361660LK	Three	36 ^{7/16}	16 ^{7/8}	60	39	239
FSM361666LK	Three	36 ^{7/16}	16 ^{7/8}	66	39	252
FSM361672LK	Three	36 ^{7/16}	16 ^{7/8}	72	39	264
FSM361676LK	Three	36 ^{7/16}	16 ^{7/8}	76	39	282
FSM481648LK	Four	48 ^{1/8}	16 ^{7/8}	48	52	253
FSM481660LK	Four	48 ^{1/8}	16 ^{7/8}	60	52	286
FSM481666LK	Four	48 ^{1/8}	16 ^{7/8}	66	52	301
FSM481672LK	Four	48 ^{1/8}	16 ^{7/8}	72	52	317
FSM481676LK	Four	48 ^{1/8}	16 ^{7/8}	76	52	327
FSM421648OK	Three	42 ^{7/16}	16 ^{7/8}	48	39	238
FSM421660OK	Three	42 ^{7/16}	16 ^{7/8}	60	39	266
FSM421666OK	Three	42 ^{7/16}	16 ^{7/8}	66	39	279
FSM421672OK	Three	42 ^{7/16}	16 ^{7/8}	72	39	294
FSM421676OK	Three	42 ^{7/16}	16 ^{7/8}	76	39	304
FSM561648OK	Four	56 ^{1/8}	16 ^{7/8}	48	52	277
FSM561660OK	Four	56 ^{1/8}	16 ^{7/8}	60	52	317
FSM561666OK	Four	56 ^{1/8}	16 ^{7/8}	66	52	334
FSM561672OK	Four	56 ^{1/8}	16 ^{7/8}	72	52	352
FSM561676OK	Four	56 ^{1/8}	16 ^{7/8}	76	52	363



FSM361248SK

Freestanding Sort Module Notes

1. Full-height Freestanding Sort Modules include 12 shelves per column, providing 13 openings per column. The sorting inches are equal to (height - 6") x # of columns.
2. Modules with Bottom Storage Area include 7 shelves per column, providing 8 openings per column. The sorting inches are equal to (height - 23") x # of columns. Modules with 12" Kickplate include 12 shelves per column, providing 13 openings per column. The sorting inches are equal to (height - 15") x # of columns.
3. Additional shelves can be ordered if more openings are required. Shelves can also be deleted if fewer openings are required (see page 28).
4. Bottom storage areas will accommodate mail tubs.
5. Inside clearances on Bottom Storage Areas

<u>Size</u>	<u>Depth</u>	<u>Height</u>
Standard	12"	15"
Legal/Oversize	16"	15"
6. Sliding doors can be added to bottom storage areas, which reduces the depth clearance by 2^{1/2}".
7. Freestanding Sort Modules with Sliding Reference Shelves feature a bottom storage area and slide-out shelf located 30" off the ground.
8. Reductions in the height of Freestanding Sort Modules can be made with an upcharge.
9. All Freestanding Sort Modules are shipped fully assembled. When getting freight quotes, specify Class 100. If dimensions are required, add 3" to each dimension for packing materials.

Master Series Module Accessories

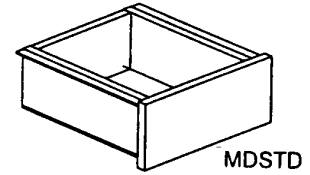
1. Shelf supports and shelves are available in three colors. Black (007), Brown (004) and Grey (002). Laminated wood shelves should be ordered in laminates with matching edge banding.
2. Shelves have full-width index channels on both the front and rear. The channel is encased with a clear plastic index cover.
3. Color-coded index strips are included with each module, one sheet (18 index strips) per column. If you want a specific color, you must request that color. If no specific color request is made, you will receive assorted colors.
4. Index strips are available in the following colors:

Green	Light Green
Magenta	Electric Yellow
Canary	Blue
Orange	White
Gold	Electric Pink
5. Indexing templates are available, at no charge, via e-mail or on a disk. Contact Customer Service for more information.
6. These special shelves are also available:
 - Laminated wood shelves for additional weight capacity
 - Shelves with 3" vertical back for open-back modules
 - Shelves with half-size adapters for doubled sort openings.
7. Plexiglass doors are available in clear and smoked acrylic. If you are ordering an open-back sort module, specify whether the doors are going on the front or back of the unit. All doors are hinged on the left side and feature key or butterfly locks.
8. When plexiglass doors are placed on the front of a closed-back sort module, they restrict placement of shelves on the three upper, two middle and three lower shelf supports. Doors must be removed to reposition shelves in these supports.
9. Specify location of all clear-acrylic display boards. Do not specify display boards for corner sort modules in L- or U-shaped configurations when display boards are specified for adjacent modules.
10. Tasklights and tackboards can be installed in the riser area of sort modules. Please specify fabric for tackboards.

Master Series Module Accessories

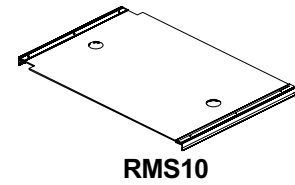
All Wood Module Drawers

Model #	Description	Width	Depth	Height	Weight
MDSTD	For Standard/Legal sort modules	10 ^{3/4}	11 ^{3/4}	3 ^{1/2}	5
MDOVR	For Oversize sort modules	12 ^{3/4}	15 ^{7/8}	3 ^{1/2}	8



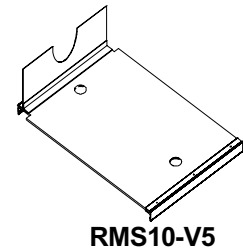
Module Shelves - Standard Size

Model #	Description	Width	Depth	Height	Weight
RMS10	Single shelf	10 ^{3/4}	11 ^{3/4}		1
RMS10-5	Set of five shelves	10 ^{3/4}	11 ^{3/4}		3
WRMS10	Laminated wood shelf	10 ^{3/4}	11 ^{3/4}	5/8	2
XRMS10	Shelf deduct - send less than standard amount				n/a
INDX-S	10 sheets of indexing				1
RMS10-V5	Set of 5 shelves with vertical backs				4
RMS10HVD01	Shelf with 2 1/2" h half-size adapter				
RMS10HVD03	Shelf with 4" h half-size adapter				
CVR-SF	Plastic index cover - for front of shelf	10 ^{3/4}			1
CVR-SB	Plastic index cover - for back of shelf	10			1
STBCK-S	Stick-on indexing extrusion	10 ^{3/4}			1



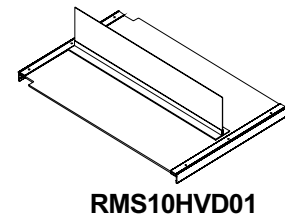
Module Shelves - Legal Size

Model #	Description	Width	Depth	Height	Weight
RMS14	Single shelf	10 ^{3/4}	15 ^{7/8}		1
RMS14-5	Set of five shelves	10 ^{3/4}	15 ^{7/8}		3
WRMS14	Laminated wood shelf	10 ^{3/4}	15 ^{7/8}	5/8	2
XRMS14	Shelf deduct - send less than standard amount				n/a
INDX-S	10 sheets of indexing				1
RMS14-V5	Set of 5 shelves with vertical backs				4
RMS14HVD01	Shelf with 2 1/2" h half-size adapter				
RMS14HVD03	Shelf with 4" h half-size adapter				
CVR-S	Plastic index cover	10 ^{3/4}			1
CVR-SB	Plastic index cover - for back of shelf	10			1
STBCK-S	Stick-on indexing extrusion	10 ^{3/4}			1



Module Shelves - Oversize

Model #	Description	Width	Depth	Height	Weight
RMS12	Single shelf	12 ^{3/4}	15 ^{7/8}		1
RMS12-5	Set of five shelves	12 ^{3/4}	15 ^{7/8}		3
WRMS12	Laminated wood shelf	12 ^{3/4}	15 ^{7/8}	5/8	2
XRMS12	Shelf deduct - send less than standard amount				n/a
INDX-O	10 sheets of indexing				1
RMS12-V5	Set of 5 shelves with vertical backs				4
RMS12HVD01	Shelf with 2 1/2" h half-size adapter				
RMS12HVD03	Shelf with 4" h half-size adapter				
CVR-O	Plastic index cover	12 ^{3/4}			1
CVR-OB	Plastic index cover - for back of shelf	12			1
STBCK-O	Stick-on indexing extrusion	12 ^{3/4}			1



Module Shelves - ZIP Size

Model #	Description	Width	Depth	Height	Weight
RMSZ	Single shelf	6 ^{1/16}	11 ^{3/4}		1
RMSZ-5	Set of 5 shelves	6 ^{1/16}	11 ^{3/4}		3
XRMSZ	Shelf deduct - send less than standard amount				

Master Series Module Accessories

Plexiglass Module Doors *Specify if for front or back of module

Model #	Description	Front wd.	Front ht.	Back wd.	Back ht.	Depth	Wgt
PLXS-18	18"h door for standard/legal	10 ^{11/16}	14 ^{5/8}	11 ^{1/4}	17 ^{1/16}	3/16	5
PLXS-18-L	18"h door for standard/legal w / lock	10 ^{11/16}	14 ^{5/8}	11 ^{1/4}	17 ^{1/16}	3/16	5
PLXO-18	18"h door for oversize	12 ^{11/16}	14 ^{5/8}	13 ^{1/4}	17 ^{1/16}	3/16	5
PLXO-18-L	18"h door for oversize w / lock	12 ^{11/16}	14 ^{5/8}	13 ^{1/4}	17 ^{1/16}	3/16	5
PLXS-24	24"h door for standard/legal	10 ^{11/16}	20 ^{5/8}	11 ^{1/4}	23 ^{1/16}	3/16	6
PLXS-24-L	24"h door for standard/legal w / lock	10 ^{11/16}	20 ^{5/8}	11 ^{1/4}	23 ^{1/16}	3/16	6
PLXO-24	24"h door for oversize	12 ^{11/16}	20 ^{5/8}	13 ^{1/4}	23 ^{1/16}	3/16	6
PLXO-24-L	24"h door for oversize w / lock	12 ^{11/16}	20 ^{5/8}	13 ^{1/4}	23 ^{1/16}	3/16	6
PLXS-30	30"h door for standard/legal	10 ^{11/16}	26 ^{5/8}	11 ^{1/4}	29 ^{1/16}	3/16	7
PLXS-30-L	30"h door for standard/legal w / lock	10 ^{11/16}	26 ^{5/8}	11 ^{1/4}	29 ^{1/16}	3/16	7
PLXO-30	30"h door for oversize	12 ^{11/16}	26 ^{5/8}	13 ^{1/4}	29 ^{1/16}	3/16	7
PLXO-30-L	30"h door for oversize w / lock	12 ^{11/16}	26 ^{5/8}	13 ^{1/4}	29 ^{1/16}	3/16	7
PLXS-36	36"h door for standard/legal	10 ^{11/16}	32 ^{5/8}	11 ^{1/4}	35 ^{1/16}	3/16	8
PLXS-36-L	36"h door for standard/legal w / lock	10 ^{11/16}	32 ^{5/8}	11 ^{1/4}	35 ^{1/16}	3/16	8
PLXO-36	36"h door for oversize	12 ^{11/16}	32 ^{5/8}	13 ^{1/4}	35 ^{1/16}	3/16	8
PLXO-36-L	36"h door for oversize w / lock	12 ^{11/16}	32 ^{5/8}	13 ^{1/4}	35 ^{1/16}	3/16	8
PLXS-42	42"h door for standard/legal	10 ^{11/16}	38 ^{5/8}	11 ^{1/4}	41 ^{1/16}	3/16	9
PLXS-42-L	42"h door for standard/legal w / lock	10 ^{11/16}	38 ^{5/8}	11 ^{1/4}	41 ^{1/16}	3/16	9
PLXO-42	42"h door for oversize	12 ^{11/16}	38 ^{5/8}	13 ^{1/4}	41 ^{1/16}	3/16	9
PLXO-42-L	42"h door for oversize w / lock	12 ^{11/16}	38 ^{5/8}	13 ^{1/4}	41 ^{1/16}	3/16	9
PLXS-48	48"h door for standard/legal	10 ^{11/16}	44 ^{5/8}	11 ^{1/4}	47 ^{1/16}	3/16	10
PLXS-48-L	48"h door for standard/legal w / lock	10 ^{11/16}	44 ^{5/8}	11 ^{1/4}	47 ^{1/16}	3/16	10
PLXO-48	48"h door for oversize	12 ^{11/16}	44 ^{5/8}	13 ^{1/4}	47 ^{1/16}	3/16	10
PLXO-48-L	48"h door for oversize w / lock	12 ^{11/16}	44 ^{5/8}	13 ^{1/4}	47 ^{1/16}	3/16	10

Options

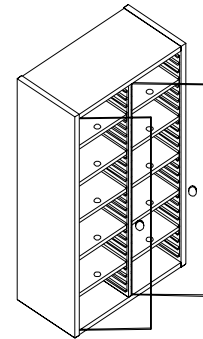
Modifications	Model # Change
Smoked glass	PLXx-hh -S

Plexiglass Overhead Display Boards

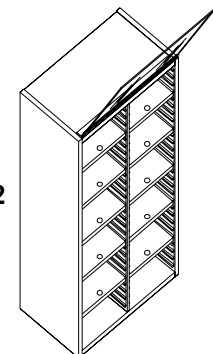
Model #	Description	Weight
DSPBRD-S1	12"h display board for S1/L1 Module	4
DSPBRD-S2	12"h display board for S2/L2 Module	8
DSPBRD-S3	12"h display board for S3/L3 Module	12
DSPBRD-S4	12"h display board for S4/L4 Module	16
DSPBRD-S5	12"h display board for S5/L5 Module	20
DSPBRD-S6	12"h display board for S6/L6 Module	24
DSPBRD-O1	12"h display board for O1/Z2 Module	5
DSPBRD-O2	12"h display board for O2/Z4 Module	10
DSPBRD-O3	12"h display board for O3/Z6 Module	15
DSPBRD-O4	12"h display board for O4/Z8 Module	20
DSPBRD-O5	12"h display board for O5/Z10 Module	25
DSPBRD-O6	12"h display board for O6/Z12 Module	30

Accessories

Model #	Description
MRUSTL-24	24" black undersurface task light
MRUSTLARM	Swivel-arm task light
MRTBwwhh	Tackboard (per square foot)



PLXS-30

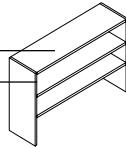


DSPBRD-S2

All dimensions are shown in inches

Master Series Bulk Sort Units

- Desktop Bulk Sort Units have an aluminum-extrusion front edge.
- Bulk Sort Units with angled shelves have a 1" x 1" aluminum stop on shelf front. Shelves are angled at 25 degrees and will hold three or four mail tubs or AB35-200 bins per shelf (depending on model width).
- Bulk Sort Units w/ Flat Shelves have an inside shelf clearance of 10^{13/16}". Units w/ angled shelves have an inside clearance of 16^{3/4}" between angled shelves and a top shelf inside clearance of 12^{1/4}".
- Bins must be ordered separately.
- All Bulk Sort Units are shipped fully assembled. When getting freight quotes, specify Class 100. If dimensions are required, add 3" to each dimension for packing materials.
- Colors must be specified for each of the following:
Bulk Sort laminate _____
Edge banding color _____



Bulk Sort Units w/ Flat Shelves

One Shelf

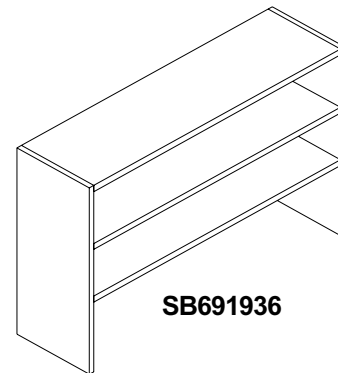
Model #	Width	Depth	Height	Weight
SB551924	56 ^{1/8}	19	24	110
SB691924	69 ^{13/16}	19	24	130

Two Shelves

Model #	Width	Depth	Height	Weight
SB551936	56 ^{1/8}	19	36	160
SB691936	69 ^{13/16}	19	36	190

Three Shelves

Model #	Width	Depth	Height	Weight
SB551948	56 ^{1/8}	19	48	230
SB691948	69 ^{13/16}	19	48	270



Bulk Sort Units w/ Angled Shelves

One Shelf

Model #	Width	Depth	Height	Weight
AB482021	48 ^{1/8}	20	21	102
AB602021	59 ^{13/16}	20	21	122

Two Shelves

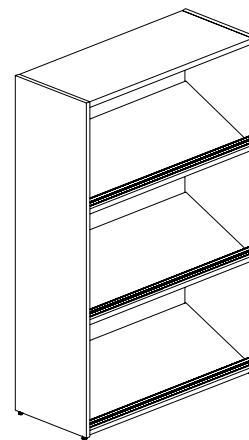
Model #	Width	Depth	Height	Weight
AB482042	48 ^{1/8}	20	42	177
AB602042	59 ^{13/16}	20	42	209

Three Shelves

Model #	Width	Depth	Height	Weight
AB482061	48 ^{1/8}	20	61	248
AB602061	59 ^{13/16}	20	61	272

Four Shelves

Model #	Width	Depth	Height	Weight
AB482081	48 ^{1/8}	20	81	320
AB602081	59 ^{13/16}	20	81	377



Bulk Sort Bins

1. SB1219 bins are made of molded plastic and have a full-width index channel. Index strips are included.
2. SB1219 bins will fit inside oversize sort modules, but must rest on shelf.
3. Bins for Angled-Shelf Bulk Sort Units are available in red, blue and grey. If no color is specified, bins will be grey.
4. Bins for Angled-Shelf Bulk Sort Units nest together to take up minimal space when not in use.
5. AB34-240 bins are multi-purpose with rounded corners and rolled-top rims to form comfortable handles for easy carrying.
6. AB34-240 and A-B13-017 bins are available in grey only.
7. AB13-017 bins stack to form tall storage arrangements.

Bins for Bulk Sort Units w/ Flat Shelves

<i>Model #</i>	<i>Width</i>	<i>Depth</i>	<i>Height</i>	<i>Weight</i>
SB1219	12 ^{3/4}	19	6	3

Bins for Bulk Sort Units w/ Angles Shelves

<i>Model #</i>	<i>Width</i>	<i>Depth</i>	<i>Height</i>	<i>Weight</i>
AB35-200*	13 ^{1/2}	19 ^{1/2}	8	6
	<i>Description</i>			
AB35-201	Lids for AB35-200			
AB35-010	Label holder for AB35-200			

* To specify red or blue bins, add 'R' or 'B' to the end of the model number

All Purpose Bins

<i>Model #</i>	<i>Width</i>	<i>Depth</i>	<i>Height</i>	<i>Weight</i>
AB34-240	19	24 ^{1/2}	9 ^{1/2}	6
AB13-107	18 ^{7/8}	15 ^{1/4}	12 ^{7/16}	5

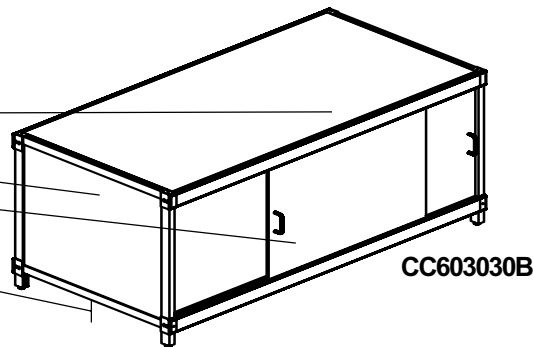
Master Series Console Specifications

1. How to specify your console

- | | | |
|----|--|-------------------------------|
| a. | Select your base model number (see pg. 33-41) | CC603030 |
| b. | Specify your clearance option:
Add 'B' for 3" clearance
Leave blank for 9" clearance | CC603030 <u>B</u> |
| c. | Specify dump rim option;
Add 'R' to indicate console will have dump rims
(order dump rims separately, pg. 53)
Leave blank if no dump rims are required | CC603030 <u>BR</u> |
| d. | Specify wheel option (9" clearance console only)
Add 'W' to indicate console will have wheels
(order wheels separately, pg. 53)
Leave blank if no wheels are required | CC603030 <u>BW</u> |
| e. | Specify your colors (see back cover for color codes) | |
| | i) Worksurface color | CC603030B- 002 |
| | ii) Base color | CC603030B-002- 002 |
| | iii) Front color (for CC consoles only)
Leave blank for tables with no doors | CC603030B-002-002- 002 |

2. The following must be specified

- Worksurface laminate
- Base laminate
- Front laminate
(on CC consoles)
- Clearance option
- Dump rim option
- Wheel option



3. Explaining your specified model number

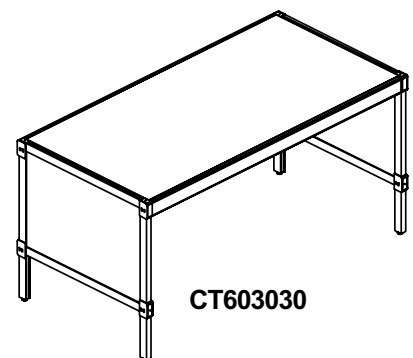
- | | | |
|----|--|-------------------------------|
| a. | Base model number | |
| | • Console type | <u>CC603030</u> |
| | CT = basic console | |
| | CH = console w/ half-depth shelf | |
| | CS = console w/ full-depth shelf | |
| | CC = cabinet console | |
| | • Width = 60" | CC <u>60</u> 3030 |
| | • Depth = 30" | CC60 <u>30</u> 30 |
| | • Height = 30" | CC6030 <u>30</u> |
| b. | Specified clearance option = 3" | CC603030 <u>B</u> |
| c. | Specified dump rim option = none | CC603030B_ |
| d. | Specified wheel option = none | CC603030B_ |
| e. | Specified color options | |
| | • Worksurface laminate color = Dove Grey (002) | CC603030B- 002 |
| | • Base laminate color = Dove Grey (002) | CC603030B-002- 002 |
| | • Front laminate color = Dove Grey (002) | CC603030B-002-002- 002 |

Basic Consoles - 30" high

<i>Model #</i>	<i>Width</i>	<i>Depth</i>	<i>w/ 9" Clearance</i>	<i>w/ 3" Clearance</i>
			<i>Weight</i>	<i>add 'B' to model #</i>
CT242430	24 ^{3/4}	24 ^{3/4}	73	78
CT243030	24 ^{3/4}	30	80	86
CT243630	24 ^{3/4}	36 ^{7/16}	90	96
CT302430	30	24 ^{3/4}	78	84
CT303030	30	30	87	92
CT303630	30	36 ^{7/16}	97	102
CT362430	36 ^{7/16}	24 ^{3/4}	86	91
CT363030	36 ^{7/16}	30	95	100
CT363630	36 ^{7/16}	36 ^{7/16}	106	111
CT422430	42 ^{7/16}	24 ^{3/4}	92	98
CT423030	42 ^{7/16}	30	102	108
CT423630	42 ^{7/16}	36 ^{7/16}	114	120
CT482430	48 ^{1/8}	24 ^{3/4}	99	105
CT483030	48 ^{1/8}	30	110	116
CT483630	48 ^{1/8}	36 ^{7/16}	122	128
CT552430	56 ^{1/8}	24 ^{3/4}	109	114
CT553030	56 ^{1/8}	30	120	125
CT553630	56 ^{1/8}	36 ^{7/16}	133	139
CT602430	59 ^{13/16}	24 ^{3/4}	113	119
CT603030	59 ^{13/16}	30	124	130
CT603630	59 ^{13/16}	36 ^{7/16}	139	144
CT692430	69 ^{13/16}	24 ^{3/4}	136	143
CT693030	69 ^{13/16}	30	150	156
CT693630	69 ^{13/16}	36 ^{7/16}	167	173
CT722430	71 ^{1/2}	24 ^{3/4}	142	147
CT723030	71 ^{1/2}	30	155	161
CT723630	71 ^{1/2}	36 ^{7/16}	172	178
CT842430	83 ^{1/2}	24 ^{3/4}	164	169
CT843030	83 ^{1/2}	30	179	185
CT843630	83 ^{1/2}	36 ^{7/16}	197	204

Options

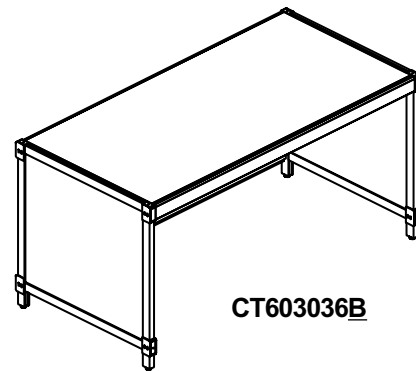
<i>Modification</i>	<i>Model # change</i>
Accept wheels	CTwwdd 30W
Adjustable legs	CTwwdd 30A



CT603030

Basic Consoles - 36" high

Model #	Width	Depth	w/ 9" Clearance	w/ 3" Clearance
			Weight	add 'B' to model # Weight
CT242436	24 ^{3/4}	24 ^{3/4}	81	87
CT243036	24 ^{3/4}	30	90	96
CT243636	24 ^{3/4}	36 ^{7/16}	101	107
CT302436	30	24 ^{3/4}	88	94
CT303036	30	30	97	102
CT303636	30	36 ^{7/16}	109	114
CT362436	36 ^{7/16}	24 ^{3/4}	96	101
CT363036	36 ^{7/16}	30	106	111
CT363636	36 ^{7/16}	36 ^{7/16}	118	123
CT422436	42 ^{7/16}	24 ^{3/4}	103	109
CT423036	42 ^{7/16}	30	113	119
CT423636	42 ^{7/16}	36 ^{7/16}	127	132
CT482436	48 ^{1/8}	24 ^{3/4}	110	116
CT483036	48 ^{1/8}	30	121	127
CT483636	48 ^{1/8}	36 ^{7/16}	135	141
CT552436	56 ^{1/8}	24 ^{3/4}	120	125
CT553036	56 ^{1/8}	30	132	138
CT553636	56 ^{1/8}	36 ^{7/16}	146	152
CT602436	59 ^{13/16}	24 ^{3/4}	124	130
CT603036	59 ^{13/16}	30	136	142
CT603636	59 ^{13/16}	36 ^{7/16}	152	157
CT692436	69 ^{13/16}	24 ^{3/4}	150	156
CT693036	69 ^{13/16}	30	165	171
CT693636	69 ^{13/16}	36 ^{7/16}	183	189
CT722436	71 ^{1/2}	24 ^{3/4}	155	161
CT723036	71 ^{1/2}	30	169	176
CT723636	71 ^{1/2}	36 ^{7/16}	188	194
CT842436	83 ^{1/2}	24 ^{3/4}	178	184
CT843036	83 ^{1/2}	30	195	201
CT843636	83 ^{1/2}	36 ^{7/16}	215	220

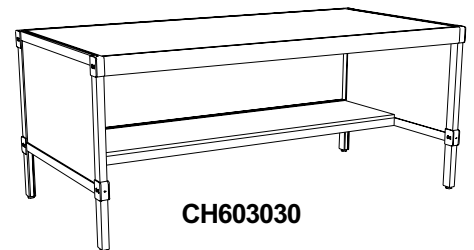


Options

Modification	Model # change
Accept wheels	CTwwdd 36W
Adjustable legs	CTwwdd 36A
42" height	CTwwdd 42

Half-Shelf Consoles - 30" high

Model #	Width	Depth	w/ 9" Clearance	w/ 3" Clearance
			Weight	add 'B' to model # Weight
CH242430	24 ^{3/4}	24 ^{3/4}	79	85
CH243030	24 ^{3/4}	30	88	94
CH243630	24 ^{3/4}	36 ^{7/16}	99	105
CH302430	30	24 ^{3/4}	86	91
CH303030	30	30	96	101
CH303630	30	36 ^{7/16}	108	113
CH362430	36 ^{7/16}	24 ^{3/4}	96	101
CH363030	36 ^{7/16}	30	107	112
CH363630	36 ^{7/16}	36 ^{7/16}	119	124
CH422430	42 ^{7/16}	24 ^{3/4}	105	110
CH423030	42 ^{7/16}	30	116	121
CH423630	42 ^{7/16}	36 ^{7/16}	130	135
CH482430	48 ^{1/8}	24 ^{3/4}	112	118
CH483030	48 ^{1/8}	30	124	130
CH483630	48 ^{1/8}	36 ^{7/16}	140	145
CH552430	56 ^{1/8}	24 ^{3/4}	124	130
CH553030	56 ^{1/8}	30	138	143
CH553630	56 ^{1/8}	36 ^{7/16}	154	161
CH602430	59 ^{13/16}	24 ^{3/4}	130	135
CH603030	59 ^{13/16}	30	143	149
CH603630	59 ^{13/16}	36 ^{7/16}	161	166
CH692430	69 ^{13/16}	24 ^{3/4}	158	165
CH693030	69 ^{13/16}	30	174	180
CH693630	69 ^{13/16}	36 ^{7/16}	195	201
CH722430	71 ^{1/2}	24 ^{3/4}	164	169
CH723030	71 ^{1/2}	30	180	186
CH723630	71 ^{1/2}	36 ^{7/16}	201	207
CH842430	83 ^{1/2}	24 ^{3/4}	190	196
CH843030	83 ^{1/2}	30	209	216
CH843630	83 ^{1/2}	36 ^{7/16}	232	239

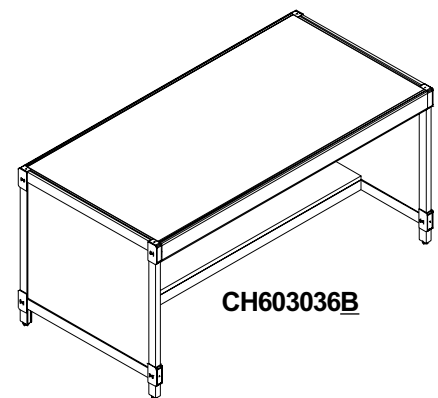


Options

Modification	Model # change
Accept wheels	CHwwdd 30W
Adjustable legs	CHwwdd 30A

Half-Shelf Consoles - 36" high

Model #	Width	Depth	w / 9" Clearance	w / 3" Clearance
			Weight	add 'B' to model # Weight
CH242436	24 ^{3/4}	24 ^{3/4}	88	94
CH243036	24 ^{3/4}	30	98	103
CH243636	24 ^{3/4}	36 ^{7/16}	110	116
CH302436	30	24 ^{3/4}	96	101
CH303036	30	30	107	112
CH303636	30	36 ^{7/16}	120	125
CH362436	36 ^{7/16}	24 ^{3/4}	106	111
CH363036	36 ^{7/16}	30	117	122
CH363636	36 ^{7/16}	36 ^{7/16}	131	136
CH422436	42 ^{7/16}	24 ^{3/4}	114	120
CH423036	42 ^{7/16}	30	127	132
CH423636	42 ^{7/16}	36 ^{7/16}	142	147
CH482436	48 ^{1/8}	24 ^{3/4}	123	129
CH483036	48 ^{1/8}	30	136	142
CH483636	48 ^{1/8}	36 ^{7/16}	153	158
CH552436	56 ^{1/8}	24 ^{3/4}	135	141
CH553036	56 ^{1/8}	30	150	155
CH553636	56 ^{1/8}	36 ^{7/16}	167	174
CH602436	59 ^{13/16}	24 ^{3/4}	141	146
CH603036	59 ^{13/16}	30	155	161
CH603636	59 ^{13/16}	36 ^{7/16}	174	179
CH692436	69 ^{13/16}	24 ^{3/4}	172	178
CH693036	69 ^{13/16}	30	189	195
CH693636	69 ^{13/16}	36 ^{7/16}	210	217
CH722436	71 ^{1/2}	24 ^{3/4}	177	183
CH723036	71 ^{1/2}	30	195	201
CH723636	71 ^{1/2}	36 ^{7/16}	218	224
CH842436	83 ^{1/2}	24 ^{3/4}	205	210
CH843036	83 ^{1/2}	30	228	231
CH843636	83 ^{1/2}	36 ^{7/16}	250	255



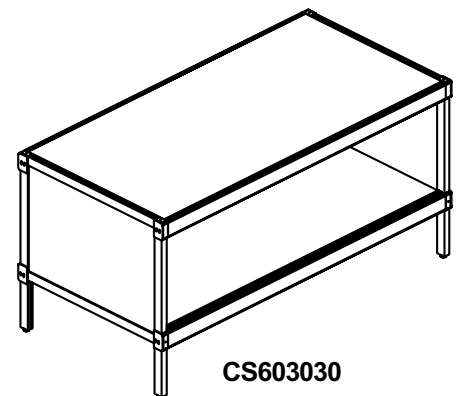
CH603036B

Options

Modification	Model # change
Accept wheels	CHwwdd 30W
Adjustable legs	CHwwdd 30A
42" height	CHwwdd 42

Full-Shelf Consoles - 30" high

Model #	Width	Depth	w/ 9" Clearance	w/ 3" Clearance
			Weight	add 'B' to model # Weight
CS242430	24 ^{3/4}	24 ^{3/4}	79	85
CS243030	24 ^{3/4}	30	88	94
CS243630	24 ^{3/4}	36 ^{7/16}	99	105
CS302430	30	24 ^{3/4}	86	91
CS303030	30	30	96	101
CS303630	30	36 ^{7/16}	108	113
CS362430	36 ^{7/16}	24 ^{3/4}	96	101
CS363030	36 ^{7/16}	30	107	112
CS363630	36 ^{7/16}	36 ^{7/16}	119	124
CS422430	42 ^{7/16}	24 ^{3/4}	105	110
CS423030	42 ^{7/16}	30	116	121
CS423630	42 ^{7/16}	36 ^{7/16}	130	135
CS482430	48 ^{1/8}	24 ^{3/4}	112	118
CS483030	48 ^{1/8}	30	124	130
CS483630	48 ^{1/8}	36 ^{7/16}	140	145
CS552430	56 ^{1/8}	24 ^{3/4}	124	130
CS553030	56 ^{1/8}	30	138	143
CS553630	56 ^{1/8}	36 ^{7/16}	154	161
CS602430	59 ^{7/8}	24 ^{3/4}	130	135
CS603030	59 ^{7/8}	30	143	149
CS603630	59 ^{7/8}	36 ^{7/16}	161	166
CS692430	69 ^{7/8}	24 ^{3/4}	158	165
CS693030	69 ^{7/8}	30	174	180
CS693630	69 ^{7/8}	36 ^{7/16}	195	201
CS722430	71 ^{1/2}	24 ^{3/4}	164	169
CS723030	71 ^{1/2}	30	180	186
CS723630	71 ^{1/2}	36 ^{7/16}	201	207
CS842430	83 ^{1/2}	24 ^{3/4}	190	196
CS843030	83 ^{1/2}	30	209	216
CS843630	83 ^{1/2}	36 ^{7/16}	232	239

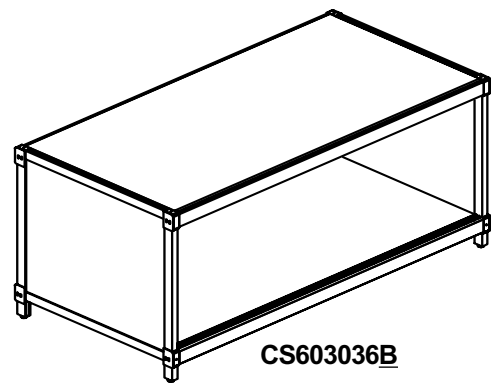


Options

Modification	Model # change
Accept wheels	CSwwdd 30W
Adjustable legs	CSwwdd 30A

Full-Shelf Consoles - 36" high

Model #	Width	Depth	w/ 9" Clearance	w/ 3" Clearance
			Weight	add 'B' to model # Weight
CS242436	24 ^{3/4}	24 ^{3/4}	96	112
CS243036	24 ^{3/4}	30	107	125
CS243636	24 ^{3/4}	36 ^{7/16}	120	130
CS302436	30	24 ^{3/4}	106	123
CS303036	30	30	118	138
CS303636	30	36 ^{7/16}	132	144
CS362436	36 ^{7/16}	24 ^{3/4}	117	135
CS363036	36 ^{7/16}	30	130	152
CS363636	36 ^{7/16}	36 ^{7/16}	146	158
CS422436	42 ^{7/16}	24 ^{3/4}	128	147
CS423036	42 ^{7/16}	30	142	165
CS423636	42 ^{7/16}	36 ^{7/16}	160	173
CS482436	48 ^{1/8}	24 ^{3/4}	139	160
CS483036	48 ^{1/8}	30	154	178
CS483636	48 ^{1/8}	36 ^{7/16}	173	211
CS552436	56 ^{1/8}	24 ^{3/4}	153	175
CS553036	56 ^{1/8}	30	169	196
CS553636	56 ^{1/8}	36 ^{7/16}	190	232
CS602436	59 ^{7/8}	24 ^{3/4}	160	183
CS603036	59 ^{7/8}	30	177	204
CS603636	59 ^{7/8}	36 ^{7/16}	198	242
CS692436	69 ^{7/8}	24 ^{3/4}	196	202
CS693036	69 ^{7/8}	30	217	227
CS693636	69 ^{7/8}	36 ^{7/16}	243	268
CS722436	71 ^{1/2}	24 ^{3/4}	202	209
CS723036	71 ^{1/2}	30	224	233
CS723636	71 ^{1/2}	36 ^{7/16}	251	276
CS842436	83 ^{1/2}	24 ^{3/4}	234	241
CS843036	83 ^{1/2}	30	259	267
CS843636	83 ^{1/2}	36 ^{7/16}	288	316

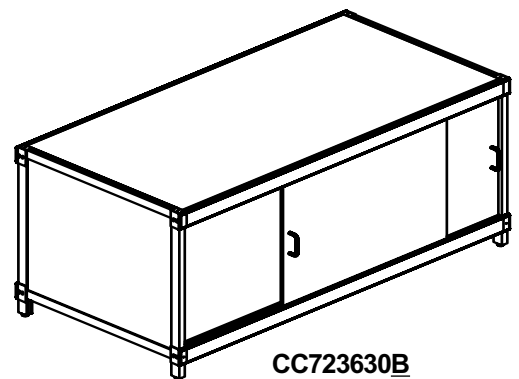


Options

Modification	Model # change
Accept wheels	CSwwdd 36W
Adjustable legs	CSwwdd 36A
42" height	CSwwdd 42

Cabinet Consoles - 30" high

Model #	Width	Depth	w/ 9" Clearance	w/ 3" Clearance
			Weight	add 'B' to model # Weight
CC242430	24 ^{3/4}	24 ^{3/4}	94	99
CC243030	24 ^{3/4}	30	103	109
CC243630	24 ^{3/4}	36 ^{7/16}	116	121
CC302430	30	24 ^{3/4}	103	109
CC303030	30	30	114	120
CC303630	30	36 ^{7/16}	129	134
CC362430	36 ^{7/16}	24 ^{3/4}	117	122
CC363030	36 ^{7/16}	30	129	134
CC363630	36 ^{7/16}	36 ^{7/16}	144	150
CC422430	42 ^{7/16}	24 ^{3/4}	129	134
CC423030	42 ^{7/16}	30	142	147
CC423630	42 ^{7/16}	36 ^{7/16}	158	164
CC482430	48 ^{1/8}	24 ^{3/4}	140	145
CC483030	48 ^{1/8}	30	154	160
CC483630	48 ^{1/8}	36 ^{7/16}	172	177
CC552430	56 ^{1/8}	24 ^{3/4}	156	162
CC553030	56 ^{1/8}	30	172	177
CC553630	56 ^{1/8}	36 ^{7/16}	191	197
CC602430	59 ^{13/16}	24 ^{3/4}	164	169
CC603030	59 ^{13/16}	30	180	186
CC603630	59 ^{13/16}	36 ^{7/16}	200	206
CC692430	69 ^{13/16}	24 ^{3/4}	202	208
CC693030	69 ^{13/16}	30	221	228
CC693630	69 ^{13/16}	36 ^{7/16}	246	253
CC722430	71 ^{1/2}	24 ^{3/4}	209	216
CC723030	71 ^{1/2}	30	221	234
CC723630	71 ^{1/2}	36 ^{7/16}	254	261
CC842430	83 ^{1/2}	24 ^{3/4}	243	250
CC843030	83 ^{1/2}	30	266	273
CC843630	83 ^{1/2}	36 ^{7/16}	295	301



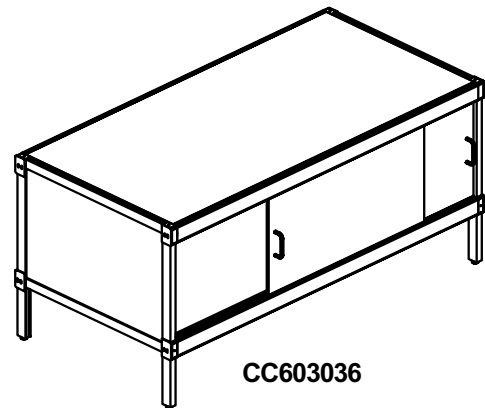
CC723630B

Options

Modification	Model # change
Accept wheels	CCwwdd 30W
Adjustable legs	CCwwdd 30A

Cabinet Consoles - 36" high

Model #	Width	Depth	w/ 9" Clearance	w/ 3" Clearance
			Weight	add 'B' to model # Weight
CC242436	24 ^{3/4}	24 ^{3/4}	103	120
CC243036	24 ^{3/4}	30	116	130
CC243636	24 ^{3/4}	36 ^{7/16}	129	134
CC302436	30	24 ^{3/4}	116	130
CC303036	30	30	128	140
CC303636	30	36 ^{7/16}	142	147
CC362436	36 ^{7/16}	24 ^{3/4}	127	150
CC363036	36 ^{7/16}	30	142	160
CC363636	36 ^{7/16}	36 ^{7/16}	158	164
CC422436	42 ^{7/16}	24 ^{3/4}	142	155
CC423036	42 ^{7/16}	30	156	170
CC423636	42 ^{7/16}	36 ^{7/16}	174	179
CC482436	48 ^{1/8}	24 ^{3/4}	154	170
CC483036	48 ^{1/8}	30	169	190
CC483636	48 ^{1/8}	36 ^{7/16}	188	210
CC552436	56 ^{1/8}	24 ^{3/4}	172	177
CC553036	56 ^{1/8}	30	188	194
CC553636	56 ^{1/8}	36 ^{7/16}	209	215
CC602436	59 ^{13/16}	24 ^{3/4}	179	185
CC603036	59 ^{13/16}	30	197	202
CC603636	59 ^{13/16}	36 ^{7/16}	218	223
CC692436	69 ^{13/16}	24 ^{3/4}	221	228
CC693036	69 ^{13/16}	30	242	249
CC693636	69 ^{13/16}	36 ^{7/16}	267	274
CC722436	71 ^{1/2}	24 ^{3/4}	229	234
CC723036	71 ^{1/2}	30	250	255
CC723636	71 ^{1/2}	36 ^{7/16}	276	282
CC842436	83 ^{1/2}	24 ^{3/4}	265	271
CC843036	83 ^{1/2}	30	289	295
CC843636	83 ^{1/2}	36 ^{7/16}	319	326



Options

Modification	Model # change
Accept wheels	CCwwdd 30W
Adjustable legs	CCwwdd 30A
42" height	CCwwdd 42

Center-Mount Modesty Consoles

30" high

Model #	Width	Depth	Weight
CX303030	30	30	92
CX303630	30	36 ^{7/16}	102
CX363030	36 ^{7/16}	30	100
CX363630	36 ^{7/16}	36 ^{7/16}	111
CX423030	42 ^{7/16}	30	108
CX423630	42 ^{7/16}	36 ^{7/16}	120
CX483030	48 ^{1/8}	30	116
CX483630	48 ^{1/8}	36 ^{7/16}	128
CX484830	48 ^{1/8}	48	150
CX553030	56 ^{1/8}	30	125
CX553630	56 ^{1/8}	36 ^{7/16}	139
CX554830	56 ^{1/8}	48	163
CX603030	59 ^{13/16}	30	130
CX603630	59 ^{13/16}	36 ^{7/16}	144
CX604830	59 ^{13/16}	48	168
CX693030	69 ^{13/16}	30	150
CX693630	69 ^{13/16}	36 ^{7/16}	167
CX694830	69 ^{13/16}	48	197
CX723030	71 ^{1/2}	30	155
CX723630	71 ^{1/2}	36 ^{7/16}	172
CX724830	71 ^{1/2}	48	209
CX843030	83 ^{1/2}	30	179
CX843630	83 ^{1/2}	36 ^{7/16}	197
CX844830	83 ^{1/2}	48	236

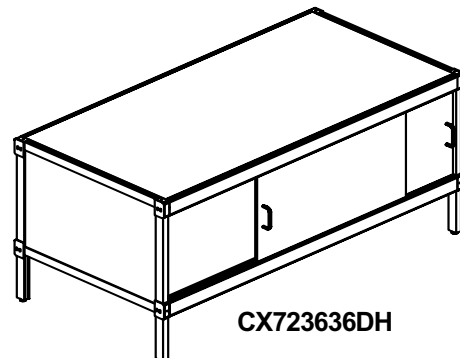
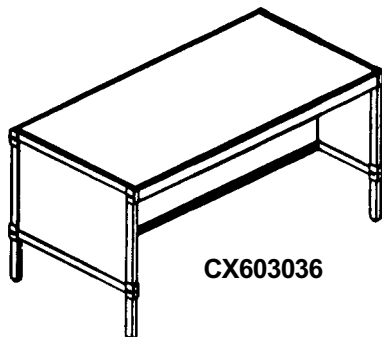
36" high

Model #	Width	Depth	Weight
CX303036	30	30	102
CX303636	30	36 ^{7/16}	114
CX363036	36 ^{7/16}	30	111
CX363636	36 ^{7/16}	36 ^{7/16}	123
CX423036	42 ^{7/16}	30	119
CX423636	42 ^{7/16}	36 ^{7/16}	132
CX483036	48 ^{1/8}	30	127
CX483636	48 ^{1/8}	36 ^{7/16}	141
CX484836	48 ^{1/8}	48	165
CX553036	56 ^{1/8}	30	138
CX553636	56 ^{1/8}	36 ^{7/16}	152
CX554836	56 ^{1/8}	48	178
CX603036	59 ^{13/16}	30	142
CX603636	59 ^{13/16}	36 ^{7/16}	157
CX604836	59 ^{13/16}	48	185
CX693036	69 ^{13/16}	30	165
CX693636	69 ^{13/16}	36 ^{7/16}	183
CX694836	69 ^{13/16}	48	221
CX723036	71 ^{1/2}	30	169
CX723636	71 ^{1/2}	36 ^{7/16}	188
CX724836	71 ^{1/2}	48	226
CX843036	83 ^{1/2}	30	195
CX843636	83 ^{1/2}	36 ^{7/16}	215
CX844836	83 ^{1/2}	48	253

Options

Modification	Model # Change
Front shelf	CXwwddhh H
Front & back shelf	CXwwddhh HH
Front cabinet	CXwwddhh D
Front & back cabinet	CXwwddhh DD
Front cabinet & back shelf	CXwwddhh DH
3" clearance	CXwwddhh B

NOTE: When modifying the floor clearance and adding shelves or cabinets to a CX console, specify clearance first and shelf/cabinet second. Example: a CX603030 with optional 3" clearance and front cabinet is specified as CX603030BD



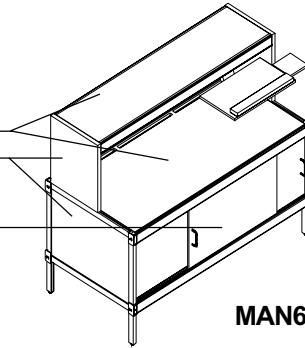
Manifest Shipping Consoles

1. How to specify your Manifest Shipping Console

- a. Select your base model number (see bottom of page) **MAN6030**
- b. Specify your colors (see back cover for color codes)
- i) Worksurface laminate **MAN6030-002**
 - ii) Base laminate **MAN6030-002-002**
 - iii) Front laminate **MAN6030-002-002-002**

2. The following must be specified

Worksurface laminate _____
 Base laminate _____
 Front laminate _____



3. Explaining your specified model number

- a. Base model number
- Width = 60" **MAN6030**
 - Depth = 30" **MAN6030**
- b. Specified color options
- Worksurface laminate = Dove Grey (002) **MAN6030-002**
 - Base laminate = Dove Grey (002) **MAN6030-002-002**
 - Front laminate = Dove Grey (002) **MAN6030-002-002-002**

4. Manifest Stations include a 30"d x 30" h cabinet console with a 9" floor clearance, with three grommets in the rear of the worksurface and two cable cutouts in the back panel; a 16^{7/8}" h heavy-duty platform with an 8" back panel. There is an open space between the back panel and the aluminum extrusion for cable management; and a keyboard tray with mousepad.
5. Packaging Station consists of a CC723030 with ABS top, E721618 and four VLPT3030.
5. If you need a shipping console with a 3" floor clearance or with a 36" console height, you must order each component separately (console, platform and keyboard tray).
6. Shipping stations are shipped knocked down (see pages 45 & 61 for freight quote instructions).

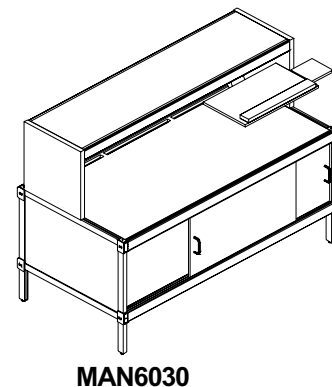
Model#	Width	Depth	Height	Weight
MAN4830	48 ^{1/8}	30	48	211
MAN6030	59 ^{13/16}	30	48	251
MAN7230	71 ^{1/2}	30	48	286

Packaging Console

Model#	Width	Depth	Height	Weight
PAC7230	71 ^{1/2}	30	48	318

Options

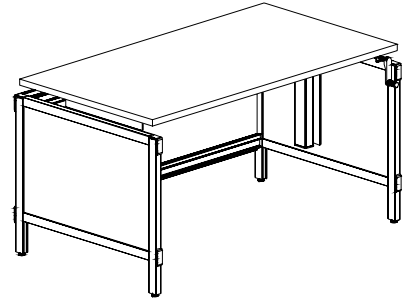
Modification	Model # change
Adjustable legs	xxxwwd A



Specialty Consoles

Crank Adjustable Consoles

Model #	Width	Depth	Height	Weight
CT303024ADJ	30	30	24 - 36	187
CT363024ADJ	36 ^{7/16}	30	24 - 36	195
CT483024ADJ	48 ^{1/8}	30	24 - 36	202
CT603024ADJ	59 ^{13/16}	30	24 - 36	224



CT603024ADJ

Electric Adjustable Consoles

Model #	Width	Depth	Height	Weight
CT303024ELE	30	30	24 - 36	187
CT363024ELE	36 ^{7/16}	30	24 - 36	195
CT483024ELE	48 ^{1/8}	30	24 - 36	202
CT603024ELE	59 ^{13/16}	30	24 - 36	224

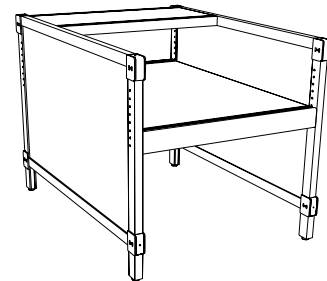
Adjustable Console Accessories

Model #	Description
WHL-ADJ*	Set of 4 wheels for Adjustable Console

* Available for 30" and 36" widths only

Adjustable Scale Consoles

Model #	Width	Depth	Height	Weight
SU263030	26	30	30	90
SU263630	26	36 ^{7/16}	30	100
SU263036	26	30	36	100
SU263636	26	36 ^{7/16}	36	110



SU263630

Platforms for Adjustable Scale Consoles

Model #	Width	Depth	Height	Weight
E261612	26	16 ^{7/8}	12	27
E261618	26	16 ^{7/8}	18	33

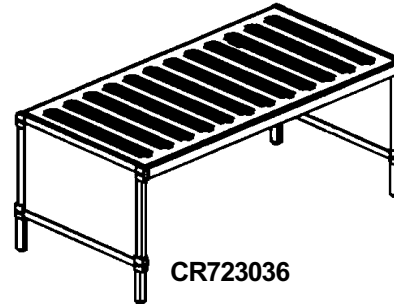
Platform Options

Modification	Model # change
Aluminum extrusion platform	E2616hh M
Drill top for wire dividers	E2616hh D

Specialty Consoles

Console with Rollers

Model #	Width	Depth	Height	Weight
CR363030	36 ^{7/16}	30	30	98
CR363036	36 ^{7/16}	30	36	108
CR363630	36 ^{7/16}	36 ^{7/16}	30	108
CR363636	36 ^{7/16}	36 ^{7/16}	36	119
CR483030	48 ^{1/8}	30	30	116
CR483036	48 ^{1/8}	30	36	126
CR483630	48 ^{1/8}	36 ^{7/16}	30	127
CR483636	48 ^{1/8}	36 ^{7/16}	36	139
CR603030	59 ^{13/16}	30	30	133
CR603036	59 ^{13/16}	30	36	144
CR603630	59 ^{13/16}	36 ^{7/16}	30	146
CR603636	59 ^{13/16}	36 ^{7/16}	36	158
CR723030	71 ^{1/2}	30	30	152
CR723036	71 ^{1/2}	30	36	164
CR723630	71 ^{1/2}	36 ^{7/16}	30	166
CR723636	71 ^{1/2}	36 ^{7/16}	36	164
CR843030	83 ^{1/2}	30	30	176
CR843036	83 ^{1/2}	30	36	189
CR843630	83 ^{1/2}	36 ^{7/16}	30	186
CR843636	83 ^{1/2}	36 ^{7/16}	36	205



- Shuttle Systems include a 36" d x 30" h console, a three-section, 39" h sort module mounted on a sliding track, and two three-section, 39" h sort modules with 3" risers (overall height = 42"). These units provide 333 sorting inches (9 sections x 37 sorting inches per section.)

Console Notes

- All consoles feature modesty panels located at the rear. The half shelf on CH consoles is also located at the rear.
- All consoles 36" deep and 36" or wider have support bars mounted front-to-rear under the workstation.
- Wheels can be added to fixed-height consoles with 9" floor clearance only. When adding wheels, add 'W' to the end of the model number to keep overall console height standard. Wheels must be ordered separately (see pg. 55).
- Use CX consoles where 48" depth is required (see pg. 41).
- Consoles 30" or 36" high with 9" clearances only can be fitted with adjustable legs. Order by adding 'A' to the end of the model number. Console height will adjust between 28" - 32" on 30" high consoles and 34" - 38" on 36" high consoles.
- Adjustable consoles have a 12" range, from 24" h to 36"h.
- Crank handles and electrical switches are located on the right-hand side of the consoles.
- All adjustable consoles feature a 3" clearance.
- Roller tables feature 22"w steel ball-bearing rollers mounted on 3" centers and a styrene top.
- All consoles are shipped knocked down. When getting freight quotes, specify Class 85. If dimensions are required, use 10" for the height of the box and add 3" to the width and depth of the console.
- Inside dimensions

Width		Depth			Height		
<i>Model Width</i>	<i>Inside Width</i>	<i>Model Depth</i>	<i>Half-Shelf Depth</i>	<i>Full-Shelf Depth</i>	<i>Model Height</i>	<i>Cabinet Height 9" clearance</i>	<i>Cabinet Height 3" clearance</i>
24	22 ^{3/4}	24	11 ^{7/16}	21 ^{7/8}	30	15 ^{7/8}	21 ^{7/8}
30	28	30	14 ^{1/16}	27 ^{1/8}	36	21 ^{7/8}	27 ^{7/8}
36	34 ^{7/16}	36	17 ^{15/16}	33 ^{9/16}	42	27 ^{7/8}	33 ^{9/16}
42	40 ^{7/16}						
48	46 ^{1/8}						
55	54 ^{1/8}						
60	57 ^{13/16}						
69	67 ^{13/16}						
72	69 ^{1/2}						
84	81 ^{1/2}						

Master Series Intermediate Shelf Specifications

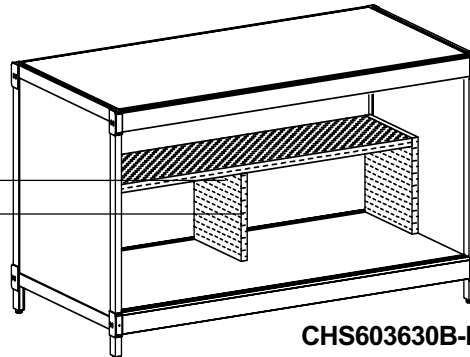
1. How to specify your Intermediate Shelf

- a. Select your base model number (see pgs. 47-50) **CFS603630B-I**
- b. Specify your colors (see back cover for color codes)
- i) Base laminate **CHS603630B-I-050**
 - ii) Edge banding color **CHS603630B-I-050-050**

2. The following options must be specified

Base laminate

Edge banding color



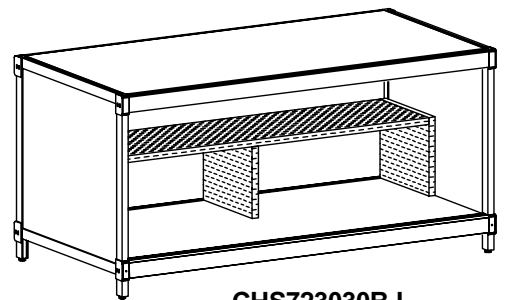
3. Explaining your specified model number

- a. Base model number =
- Type of shelf **CHS603630B-I**
 H = Half shelf
 F = Full shelf
 - Dimensions of the console shelf will be used in **CHS603630B-I**
- b. Specified color options
- Base laminate = Natural Almond (050) **CHS603630B-I-050**
 - Edge banding color = Natural Almond (050) **CHS603630B-I-050-050**

4. Intermediate shelves are not fastened to the console shelf and can be removed.
5. Shelves are sent with double-faced adhesive tape for optional fastening.
6. Shelves 54" or wider feature a center leg for additional support.
7. Intermediate shelves are shipped knocked down. When getting freight quotes, specify Class 85. If dimensions are required, use 6" for height and add 3" to width and depth for packing materials.

Half-Depth Intermediate Shelves - for 30" h consoles

Model #	Width	Depth	w/ 9" clearance		w/ 3" clearance add 'B' to model #	
			Height	Weight	Height	Weight
CHS242430-I	22 ^{11/16}	10	8 ^{5/8}	12	12 ^{5/8}	19
CHS243030-I	22 ^{11/16}	13	8 ^{5/8}	13	12 ^{5/8}	22
CHS243630-I	22 ^{11/16}	16	8 ^{5/8}	15	12 ^{5/8}	24
CHS302430-I	27 ^{15/16}	10	8 ^{5/8}	12	12 ^{5/8}	20
CHS303030-I	27 ^{15/16}	13	8 ^{5/8}	14	12 ^{5/8}	23
CHS303630-I	27 ^{15/16}	16	8 ^{5/8}	17	12 ^{5/8}	25
CHS362430-I	34 ^{3/8}	10	8 ^{5/8}	13	12 ^{5/8}	21
CHS363030-I	34 ^{3/8}	13	8 ^{5/8}	15	12 ^{5/8}	23
CHS363630-I	34 ^{3/8}	16	8 ^{5/8}	18	12 ^{5/8}	26
CHS422430-I	40 ^{3/8}	10	8 ^{5/8}	14	12 ^{5/8}	22
CHS423030-I	40 ^{3/8}	13	8 ^{5/8}	17	12 ^{5/8}	25
CHS423630-I	40 ^{3/8}	16	8 ^{5/8}	20	12 ^{5/8}	29
CHS482430-I	46 ^{1/16}	10	8 ^{5/8}	14	12 ^{5/8}	22
CHS483030-I	46 ^{1/16}	13	8 ^{5/8}	18	12 ^{5/8}	25
CHS483630-I	46 ^{1/16}	16	8 ^{5/8}	21	12 ^{5/8}	30
CHS552430-I	54	10	8 ^{5/8}	18	12 ^{5/8}	25
CHS553030-I	54	13	8 ^{5/8}	21	12 ^{5/8}	31
CHS553630-I	54	16	8 ^{5/8}	25	12 ^{5/8}	35
CHS602430-I	57 ^{3/4}	10	8 ^{5/8}	18	12 ^{5/8}	26
CHS603030-I	57 ^{3/4}	13	8 ^{5/8}	22	12 ^{5/8}	32
CHS603630-I	57 ^{3/4}	16	8 ^{5/8}	26	12 ^{5/8}	36
CHS692430-I	67 ^{3/4}	10	8 ^{5/8}	20	12 ^{5/8}	28
CHS693030-I	67 ^{3/4}	13	8 ^{5/8}	24	12 ^{5/8}	33
CHS693630-I	67 ^{3/4}	16	8 ^{5/8}	29	12 ^{5/8}	39
CHS722430-I	69 ^{3/8}	10	8 ^{5/8}	20	12 ^{5/8}	29
CHS723030-I	69 ^{3/8}	13	8 ^{5/8}	24	12 ^{5/8}	34
CHS723630-I	69 ^{3/8}	16	8 ^{5/8}	29	12 ^{5/8}	40
CHS842430-I	81 ^{3/8}	10	8 ^{5/8}	21	12 ^{5/8}	30
CHS843030-I	81 ^{3/8}	13	8 ^{5/8}	26	12 ^{5/8}	36
CHS843630-I	81 ^{3/8}	16	8 ^{5/8}	32	12 ^{5/8}	42

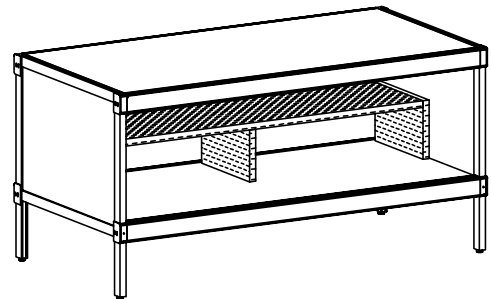


Half-Depth Intermediate Shelves - for 36" h consoles

Model #	Width	Depth	w/ 9" clearance		w/ 3" clearance add 'B' to model #	
			Height	Weight	Height	Weight
CHS242436-I	22 ^{11/16}	10	12 ^{5/8}	13	16 ^{5/8}	18
CHS243036-I	22 ^{11/16}	13	12 ^{5/8}	17	16 ^{5/8}	19
CHS243636-I	22 ^{11/16}	16	12 ^{5/8}	19	16 ^{5/8}	21
CHS302436-I	27 ^{15/16}	10	12 ^{5/8}	14	16 ^{5/8}	18
CHS303036-I	27 ^{15/16}	13	12 ^{5/8}	18	16 ^{5/8}	20
CHS303636-I	27 ^{15/16}	16	12 ^{5/8}	20	16 ^{5/8}	22
CHS362436-I	34 ^{3/8}	10	12 ^{5/8}	15	16 ^{5/8}	19
CHS363036-I	34 ^{3/8}	13	12 ^{5/8}	18	16 ^{5/8}	21
CHS363636-I	34 ^{3/8}	16	12 ^{5/8}	21	16 ^{5/8}	23
CHS422436-I	40 ^{3/8}	10	12 ^{5/8}	17	16 ^{5/8}	20
CHS423036-I	40 ^{3/8}	13	12 ^{5/8}	20	16 ^{5/8}	22
CHS423636-I	40 ^{3/8}	16	12 ^{5/8}	23	16 ^{5/8}	25
CHS482436-I	46 ^{1/16}	10	12 ^{5/8}	17	16 ^{5/8}	20
CHS483036-I	46 ^{1/16}	13	12 ^{5/8}	20	16 ^{5/8}	23
CHS483636-I	46 ^{1/16}	16	12 ^{5/8}	24	16 ^{5/8}	26
CHS552436-I	54	10	12 ^{5/8}	20	16 ^{5/8}	23
CHS553036-I	54	13	12 ^{5/8}	25	16 ^{5/8}	26
CHS553636-I	54	16	12 ^{5/8}	30	16 ^{5/8}	31
CHS602436-I	57 ^{3/4}	10	12 ^{5/8}	21	16 ^{5/8}	23
CHS603036-I	57 ^{3/4}	13	12 ^{5/8}	26	16 ^{5/8}	28
CHS603636-I	57 ^{3/4}	16	12 ^{5/8}	31	16 ^{5/8}	32
CHS692436-I	67 ^{3/4}	10	12 ^{5/8}	22	16 ^{5/8}	25
CHS693036-I	67 ^{3/4}	13	12 ^{5/8}	28	16 ^{5/8}	30
CHS693636-I	67 ^{3/4}	16	12 ^{5/8}	33	16 ^{5/8}	34
CHS722436-I	69 ^{3/8}	10	12 ^{5/8}	23	16 ^{5/8}	25
CHS723036-I	69 ^{3/8}	13	12 ^{5/8}	29	16 ^{5/8}	30
CHS723636-I	69 ^{3/8}	16	12 ^{5/8}	34	16 ^{5/8}	34
CHS842436-I	81 ^{3/8}	10	12 ^{5/8}	24	16 ^{5/8}	26
CHS843036-I	81 ^{3/8}	13	12 ^{5/8}	31	16 ^{5/8}	32
CHS843636-I	81 ^{3/8}	16	12 ^{5/8}	36	16 ^{5/8}	37

Options

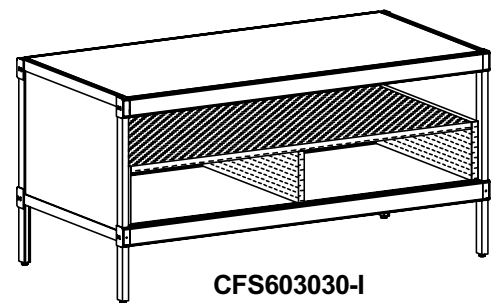
Modification	Model # change
For 42" h consoles	CHSwwdd 42-I



CHS603036-I

Full-Depth Intermediate Shelves - for 30" h consoles

Model #	Width	Depth	w/ 9" clearance		w/ 3" clearance add "B" to model #	
			Height	Weight	Height	Weight
CFS242430-I	22 ^{11/16}	20	8 ^{5/8}	18	12 ^{5/8}	26
CFS243030-I	22 ^{11/16}	26	8 ^{5/8}	22	12 ^{5/8}	32
CFS243630-I	22 ^{11/16}	32	8 ^{5/8}	25	12 ^{5/8}	36
CFS302430-I	27 ^{15/16}	20	8 ^{5/8}	20	12 ^{5/8}	29
CFS303030-I	27 ^{15/16}	26	8 ^{5/8}	24	12 ^{5/8}	34
CFS303630-I	27 ^{15/16}	32	8 ^{5/8}	29	12 ^{5/8}	40
CFS362430-I	34 ^{3/8}	20	8 ^{5/8}	21	12 ^{5/8}	30
CFS363030-I	34 ^{3/8}	26	8 ^{5/8}	31	12 ^{5/8}	36
CFS363630-I	34 ^{3/8}	32	8 ^{5/8}	33	12 ^{5/8}	42
CFS422430-I	40 ^{3/8}	20	8 ^{5/8}	23	12 ^{5/8}	32
CFS423030-I	40 ^{3/8}	26	8 ^{5/8}	29	12 ^{5/8}	39
CFS423630-I	40 ^{3/8}	32	8 ^{5/8}	34	12 ^{5/8}	45
CFS482430-I	46 ^{1/16}	20	8 ^{5/8}	24	12 ^{5/8}	33
CFS483030-I	46 ^{1/16}	26	8 ^{5/8}	31	12 ^{5/8}	41
CFS483630-I	46 ^{1/16}	32	8 ^{5/8}	36	12 ^{5/8}	47
CFS552430-I	54	20	8 ^{5/8}	30	12 ^{5/8}	41
CFS553030-I	54	26	8 ^{5/8}	37	12 ^{5/8}	50
CFS553630-I	54	32	8 ^{5/8}	45	12 ^{5/8}	59
CFS602430-I	57 ^{3/4}	20	8 ^{5/8}	31	12 ^{5/8}	42
CFS603030-I	57 ^{3/4}	26	8 ^{5/8}	40	12 ^{5/8}	52
CFS603630-I	57 ^{3/4}	32	8 ^{5/8}	47	12 ^{5/8}	62
CFS692430-I	67 ^{3/4}	20	8 ^{5/8}	34	12 ^{5/8}	45
CFS693030-I	67 ^{3/4}	26	8 ^{5/8}	43	12 ^{5/8}	55
CFS693630-I	67 ^{3/4}	32	8 ^{5/8}	52	12 ^{5/8}	66
CFS722430-I	69 ^{3/8}	20	8 ^{5/8}	34	12 ^{5/8}	45
CFS723030-I	69 ^{3/8}	26	8 ^{5/8}	44	12 ^{5/8}	56
CFS723630-I	69 ^{3/8}	32	8 ^{5/8}	53	12 ^{5/8}	67
CFS842430-I	81 ^{3/8}	20	8 ^{5/8}	37	12 ^{5/8}	48
CFS843030-I	81 ^{3/8}	26	8 ^{5/8}	48	12 ^{5/8}	62
CFS843630-I	81 ^{3/8}	32	8 ^{5/8}	59	12 ^{5/8}	74

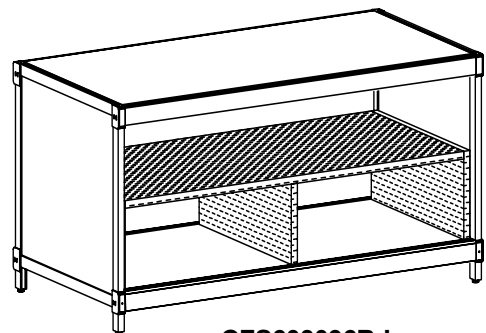


Full-Depth Intermediate Shelves - for 36" h consoles

Model #	Width	Depth	w/ 9" clearance		w/ 3" clearance add 'B' to model #	
			Height	Weight	Height	Weight
CFS242436-I	22 ^{11/16}	20	12 ^{5/8}	21	16 ^{5/8}	23
CFS243036-I	22 ^{11/16}	26	12 ^{5/8}	26	16 ^{5/8}	28
CFS243636-I	22 ^{11/16}	32	12 ^{5/8}	31	16 ^{5/8}	31
CFS302436-I	27 ^{15/16}	20	12 ^{5/8}	23	16 ^{5/8}	25
CFS303036-I	27 ^{15/16}	26	12 ^{5/8}	29	16 ^{5/8}	30
CFS303636-I	27 ^{15/16}	32	12 ^{5/8}	34	16 ^{5/8}	34
CFS362436-I	34 ^{3/8}	20	12 ^{5/8}	24	16 ^{5/8}	26
CFS363036-I	34 ^{3/8}	26	12 ^{5/8}	31	16 ^{5/8}	32
CFS363636-I	34 ^{3/8}	32	12 ^{5/8}	36	16 ^{5/8}	36
CFS422436-I	40 ^{3/8}	20	12 ^{5/8}	26	16 ^{5/8}	29
CFS423036-I	40 ^{3/8}	26	12 ^{5/8}	33	16 ^{5/8}	34
CFS423636-I	40 ^{3/8}	32	12 ^{5/8}	40	16 ^{5/8}	40
CFS482436-I	46 ^{1/16}	20	12 ^{5/8}	28	16 ^{5/8}	30
CFS483036-I	46 ^{1/16}	26	12 ^{5/8}	35	16 ^{5/8}	360
CFS483636-I	46 ^{1/16}	32	12 ^{5/8}	42	16 ^{5/8}	42
CFS552436-I	54	20	12 ^{5/8}	35	16 ^{5/8}	35
CFS553036-I	54	26	12 ^{5/8}	44	16 ^{5/8}	43
CFS553636-I	54	32	12 ^{5/8}	54	16 ^{5/8}	51
CFS602436-I	57 ^{3/4}	20	12 ^{5/8}	36	16 ^{5/8}	36
CFS603036-I	57 ^{3/4}	26	12 ^{5/8}	46	16 ^{5/8}	45
CFS603636-I	57 ^{3/4}	32	12 ^{5/8}	56	16 ^{5/8}	53
CFS692436-I	67 ^{3/4}	20	12 ^{5/8}	40	16 ^{5/8}	40
CFS693036-I	67 ^{3/4}	26	12 ^{5/8}	50	16 ^{5/8}	48
CFS693636-I	67 ^{3/4}	32	12 ^{5/8}	61	16 ^{5/8}	57
CFS722436-I	69 ^{3/8}	20	12 ^{5/8}	40	16 ^{5/8}	40
CFS723036-I	69 ^{3/8}	26	12 ^{5/8}	51	16 ^{5/8}	50
CFS723636-I	69 ^{3/8}	32	12 ^{5/8}	62	16 ^{5/8}	58
CFS842436-I	81 ^{3/8}	20	12 ^{5/8}	43	16 ^{5/8}	43
CFS843036-I	81 ^{3/8}	26	12 ^{5/8}	56	16 ^{5/8}	54
CFS843636-I	81 ^{3/8}	32	12 ^{5/8}	68	16 ^{5/8}	65

Options

Modification	Model # change
For 42" h consoles	CFSwwdd42-I



CFS603036B-I

Corner Consoles & Modules

To get modules and consoles in the corners of 'L' or 'U' shaped configurations to line up, use the following guidelines:

Standard-Size Modules:

(figure 1)

- a. Use a 30" deep console on each side of the corner unit
- b. Use a 30" wide x 30" deep CT console for the corner unit
- c. Use a two-section, standard-size module for the corner unit

Legal-Size Modules:

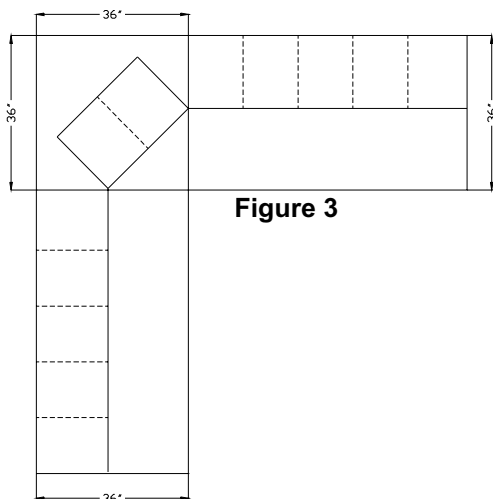
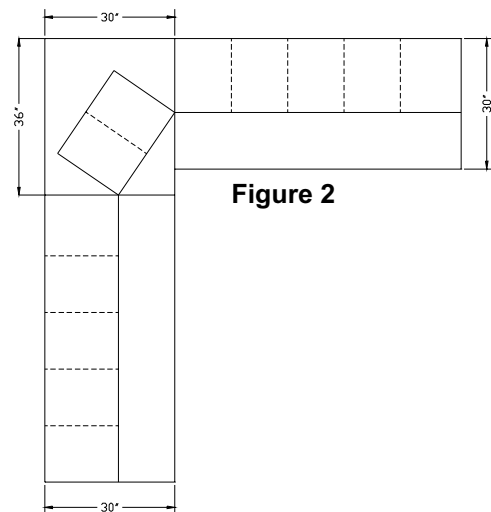
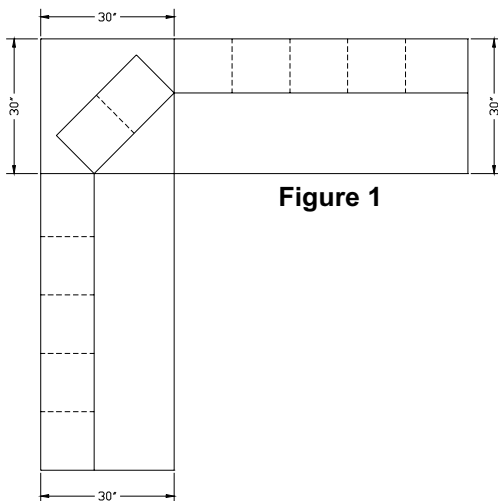
(figure 2)

- a. Use a 30" deep console on each side of the corner unit
- b. Use a 36" wide x 30" deep CT console for the corner unit
- c. Use a two-section, legal-size module for the corner unit

Oversize Modules:

(figure 3)

- a. Use a 36" deep console on each side of the corner unit
- b. Use a 36" wide x 36" deep console for the corner unit
- c. Use a two-section, oversize module for the corner unit



Console Accessory Specifications

Dump Rims

1. Dump rims can be added to an individual console or around the perimeter of configurations.
2. Dump rim model numbers represent the length of the console edge specified.
3. Specify side dump rims by adding 'S' to the end of the model number. Specify angled side rims by adding 'AS' to the end of the model number. Side dump rims for consoles with modules are also available.
4. To order 3-sided dump rims around a single console, order the following quantities:

Example: CC603030

<u>Model #</u>	<u>Quantity</u>
DR60	1
DR30AS	2
DRB-L	2 (to connect dump rims at corners)

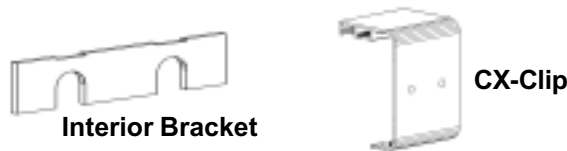
When placing two consoles side-by-side with 3-sided dump rims across the full width of the consoles, order the following quantities:

Example: (2) CC603030

<u>Model #</u>	<u>Quantity</u>
DR60	2
DR30AS	2
DRB-L	2
DRB-H	1 (to connect dump rims across the console backs)

Brackets

5. All consoles are shipped with an interior bracket to connect adjacent tables. A CX-Clip is a decorative exterior bracket option.



Wheels

6. Wheels (5" diameter) are recommended for consoles up to 60" wide x 36" deep.
7. When ordering consoles with wheels, add 'W' to the end of the model number to keep the overall height standard. The normal wheel configuration is four swivel wheels.

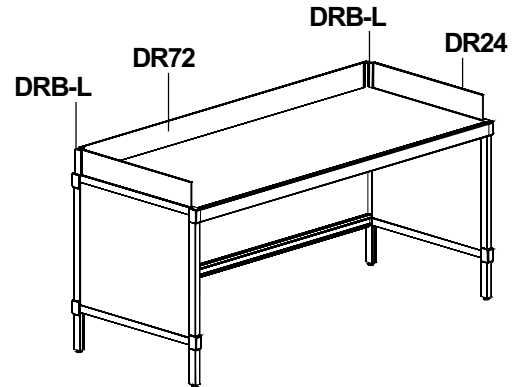
Special Features

8. A wrapping feature can be added to CS and CC consoles. This includes a paper-holder mounted to the shelf, a knife bar mounted to the top and a slot in the left side of the console top. Specify alternative locations if desired.
9. When ordering MRSLOT, specify slot width, depth and location from the edge of the console. MRSLOT-10CONFIG and MRSLOT-13CONFIG preassign hole locations for mail slots at 3" from the console edge, front or rear of console must be specified, consoles up to 48" wide come with (2) mail slot grommet inserts, 48" and wider, (3).
10. CC consoles can be fitted with plunger locks. Order LOCK-M and specify which tables.
11. Special impact-resistant (ABS and stainless steel) surfaces are available. Specify which consoles require the special surface.
12. Fixed, vertical partitions can be specified for CS or CC consoles. Specify location, spacing and laminate. Partitions can also be field installed by mounting to aluminum channel.
13. To electrify a console, order a pop-up power center and, if necessary, a grommet (MRCBLCO-3).
14. MRDR16-3-20 and MRML-16-S cannot be mounted under CC consoles. Freestanding pedestals and pedestals with casters can only be mounted under CT, CS or CH consoles.

Master Series Console Accessories

Back/Front Dump Rims

Model #	Description
DR24	For 24 " wide consoles
DR30	For 30 " wide consoles
DR36	For 36 " wide consoles
DR42	For 42 " wide consoles
DR48	For 48 " wide consoles
DR55	For 55 " wide consoles
DR60	For 60 " wide consoles
DR69	For 69 " wide consoles
DR72	For 72 " wide consoles
DR84	For 84 " wide consoles



Side Dump Rims

Model #	Description
DR24x	For 24" deep consoles
DR30x	For 30" deep consoles
DR36x	For 36" deep consoles
DR48x	For 48" deep consoles

Side Dump Rims for Tables w/ Modules

Model #	Description
DR8x	For 24" deep consoles w/ Standard/Zip module
DR11x	For 30" deep consoles w/ Standard/Zip module
DR14x	For 30" deep consoles w/ Legal/Oversize module
DR18x	For 36" deep consoles w/ Standard/Zip module
DR20x	For 36" deep consoles w/ Legal/Oversize module

Dump Rim Brackets

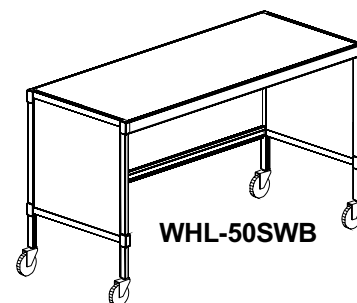
Model #	Description
DRB-H	H bracket for dump rims
DRB-L	L bracket for dump rims

Wheels

Model #	Description
WHL-50ST	5" Straight wheel
WHL-50S	5" Swivel wheel
WHL-50SWB	5" Swivel wheel w/ brake

Misc

Model #	Description
CX-Clip	2"w console connector



Master Series Console Accessories

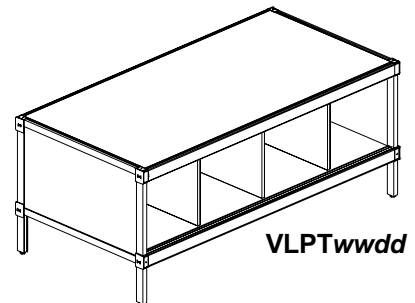
Special Features

<i>Model #</i>	<i>Description</i>
WRAP30	Wrapping feature for 30"d console
WRAP 36	Wrapping feature for 36"d console
MRSLOT	Paper/mail slot - specify size & location
MRSLOT-10	1.5"x10" slot w/ plastic grommet - specify location
MRSLOT-13	2"x13" slot w/ plastic grommet - specify location
MRSLOT-10CONFIG*	MRSLOT-10 configuration
MRSLOT-13CONFIG*	MRSLOT-13 configuration
LOCK-M	Plunger lock for CC consoles
ABSwwdd	ABS top (price per square foot)
SSTwwdd	Stainless steel top (price per square foot)

* Slot configurations include (2) slots on consoles up to 48"w, (3) slots on consoles wider than 48", (3) slots on . Specify front or back.

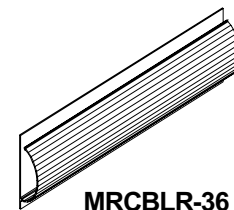
Undertable Vertical Partitions

<i>Model #</i>	<i>Description</i>
VLPT2430	Partition for ww2430 console
VLPT2436	Partition for ww2436 console
VLPT3030	Partition for ww3030 console
VLPT3036	Partition for ww3036 console
VLPT3630	Partition for ww3630 console
VLPT3636	Partition for ww3636 console
VLPT2430B	Partition for ww2430B console
VLPT2436B	Partition for ww2436B console
VLPT3030B	Partition for ww3030B console
VLPT3036B	Partition for ww3036B console
VLPT3630B	Partition for ww3630B console
VLPT3636B	Partition for ww3636B console



Cable Management Options

<i>Model #</i>	<i>Description</i>
MRCBLR-36	Cable raceway for 36"w console
MRCBLR-48	Cable raceway for 48"w console
MRCBLR-60	Cable raceway for 60" console
MRCBLR-72	Cable raceway for 72" console
MRCBLCO-3	3 1/4" diameter cable cutout - specify location



MRCBLCO-3

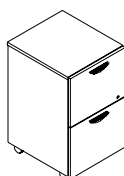
Master Series Console Accessories

Electrical Options & Undertable Accessories

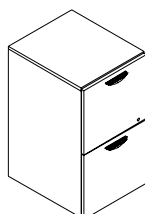
Model #	Description	Weight
MRMOPS-SP-6	6-outlet power strip (12"L)	n/a
MRRPC-3	Retractable power center	n/a
MRKDADJ	Adjustable keyboard drawer	15
MRKDADJM	Adjustable keyboard drawer w/ mouse	16

Undertable Accessories

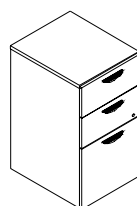
Model #	Description	Width	Depth	Height	Weight
MRDR16-3-20	Pencil drawer	20	17 ^{1/8}	2 ^{7/8}	15
MRML16-S	2-drawer suspended pedestal	15 ^{5/8}	17 ^{13/16}	18 ^{1/2}	70
MRDL16-27	2-drawer pedestal	15 ^{13/16}	18 ^{3/4}	27	80
MRDL16-33	2-drawer pedestal	15 ^{13/16}	18 ^{3/4}	33	85
MRTL16-27	3-drawer pedestal	15 ^{13/16}	18 ^{3/4}	27	85
MRTL16-33	3-drawer pedestal	15 ^{13/16}	18 ^{3/4}	33	90
MRML16-C	2-drawer pedestal w/ casters	15 ^{13/16}	18 ^{3/4}	20 ^{1/2}	80
MRDL16-33-C	2-drawer pedestal w/ casters	15 ^{13/16}	18 ^{3/4}	33	90
MRTL16-33-C	3-drawer pedestal w/ casters	15 ^{13/16}	18 ^{3/4}	33	95



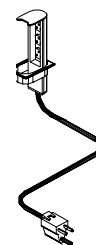
MRML16-C



MRDL16-27



MRTL16-27



Anit-Fatigue Mats reduce stress and fatigue to mailroom personnel and are rated for different uses:

Product	Use	Wear	Anti-Slip	Anti-Fatigue
Comfort Eze	Heavy Duty	Superior	Superior	Superior
Sof-Tyle	Heavy Duty	Superior	Fair	Superior

Anti-Fatigue Mats

3/8" Thick Comfort Eze

Model #	Width	Depth	Height
MR447-2436	24	36	3/8
MR447-3060	30	60	3/8

1/2" Thick Marble Sof-Tyle

Model #	Width	Depth	Height
MR470-2436	24	36	1/2
MR470-3660	36	60	1/2

Master Series Platform Specifications

1. How to specify your Platform

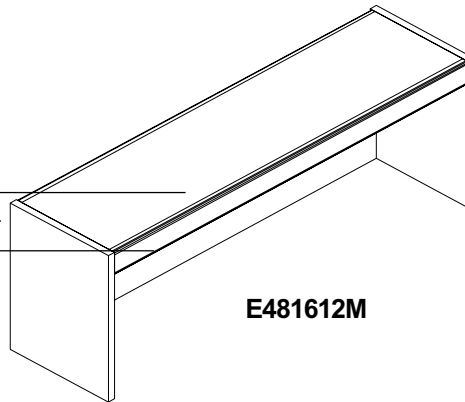
- | | | |
|----|--|--------------------------------|
| a. | Select your base model number (see pgs. 57-59) | E481612 |
| b. | Select your extrusion option
Add 'M' for a platform w/ aluminum extrusion
Leave blank if no extrusion is desired | E481612<u>M</u> |
| c. | Specify your colors (see back cover for color codes) | |
| | i) Platform laminate | E481612M-<u>002</u> |
| | ii) Edge banding color | E481612M-002-<u>002</u> |

2. The following options must be specified

Laminate _____

Edge banding color _____

Extrusion option _____



E481612M

3. Explaining your specified model number

- | | | |
|----|---|--------------------------------|
| a. | Base model number | |
| | • Width = 48" | E<u>48</u>1612 |
| | • Depth = 16" | E48<u>16</u>12 |
| | • Height = 12" | E4816<u>12</u> |
| b. | Specified extrusion option = extrusion
(aluminum extrusion required to mount keyboard tray) | E481612<u>M</u> |
| c. | Specified color options | |
| | • Laminate = Dove Grey (002) | E481612M-<u>002</u> |
| | • Edge banding color = Dove Grey (002) | E481612M-002-<u>002</u> |

Platforms - 3" & 6" high

3" high

Model #	Width	Depth	Weight
E241203	24 ^{3/4}	12 ^{7/8}	15
E241603	24 ^{3/4}	16 ^{7/8}	19
E281203	28 ^{3/4}	12 ^{7/8}	16
E281603	28 ^{3/4}	16 ^{7/8}	20
E301203	30	12 ^{7/8}	20
E301603	30	16 ^{7/8}	23
E361203	36 ^{7/16}	12 ^{7/8}	23
E361603	36 ^{7/16}	16 ^{7/8}	23
E421203	42 ^{7/16}	12 ^{7/8}	24
E421603	42 ^{7/16}	16 ^{7/8}	25
E481203	48 ^{1/8}	12 ^{7/8}	23
E481603	48 ^{1/8}	16 ^{7/8}	28
E551203	56 ^{1/8}	12 ^{7/8}	28
E551603	56 ^{1/8}	16 ^{7/8}	32
E601203	59 ^{13/16}	12 ^{7/8}	29
E601603	59 ^{13/16}	16 ^{7/8}	34
E691203	69 ^{13/16}	12 ^{7/8}	31
E691603	69 ^{13/16}	16 ^{7/8}	37
E721203	71 ^{1/2}	12 ^{7/8}	32
E721603	71 ^{1/2}	16 ^{7/8}	39
E841203	83 ^{1/2}	12 ^{7/8}	36
E841603	83 ^{1/2}	16 ^{7/8}	43

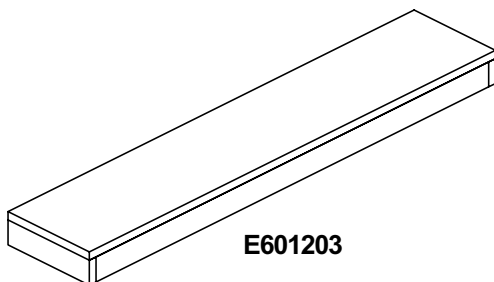
6" high

Model #	Width	Depth	Weight
E241206	24 ^{3/4}	12 ^{7/8}	15
E241606	24 ^{3/4}	16 ^{7/8}	19
E281206	28 ^{3/4}	12 ^{7/8}	16
E281606	28 ^{3/4}	16 ^{7/8}	20
E301206	30	12 ^{7/8}	20
E301606	30	16 ^{7/8}	23
E361206	36 ^{7/16}	12 ^{7/8}	20
E361606	36 ^{7/16}	16 ^{7/8}	23
E421206	42 ^{7/16}	12 ^{7/8}	24
E421606	42 ^{7/16}	16 ^{7/8}	25
E481206	48 ^{1/8}	12 ^{7/8}	23
E481606	48 ^{1/8}	16 ^{7/8}	28
E551206	56 ^{1/8}	12 ^{7/8}	32
E551606	56 ^{1/8}	16 ^{7/8}	28
E601206	59 ^{13/16}	12 ^{7/8}	29
E601606	59 ^{13/16}	16 ^{7/8}	34
E691206	69 ^{13/16}	12 ^{7/8}	31
E691606	69 ^{13/16}	16 ^{7/8}	37
E721206	71 ^{1/2}	12 ^{7/8}	32
E721606	71 ^{1/2}	16 ^{7/8}	39
E841206	83 ^{1/2}	12 ^{7/8}	36
E841606	83 ^{1/2}	16 ^{7/8}	43

Options

Modification	Model Number Change
Aluminum extrusion platform	Ewwddhh M
Drill top for wire dividers	Ewwddhh D

* NOTE: Aluminum extrusion option adds 3/4" to the overall depth of the platform.



Platforms - 12" & 18" high

12" high

Model #	Width	Depth	Weight
E241212	24 ^{3/4}	12 ^{7/8}	22
E241612	24 ^{3/4}	16 ^{7/8}	25
E281212	28 ^{3/4}	12 ^{7/8}	25
E281612	28 ^{3/4}	16 ^{7/8}	28
E301212	30	12 ^{7/8}	26
E301612	30	16 ^{7/8}	31
E361212	36 ^{7/16}	12 ^{7/8}	26
E361612	36 ^{7/16}	16 ^{7/8}	31
E421212	42 ^{7/16}	12 ^{7/8}	33
E421612	42 ^{7/16}	16 ^{7/8}	33
E481212	48 ^{1/8}	12 ^{7/8}	31
E481612	48 ^{1/8}	16 ^{7/8}	36
E551212	56 ^{1/8}	12 ^{7/8}	44
E551612	56 ^{1/8}	16 ^{7/8}	44
E601212	59 ^{13/16}	12 ^{7/8}	40
E601612	59 ^{13/16}	16 ^{7/8}	46
E691212	69 ^{13/16}	12 ^{7/8}	45
E691612	69 ^{13/16}	16 ^{7/8}	51
E721212	71 ^{1/2}	12 ^{7/8}	44
E721612	71 ^{1/2}	16 ^{7/8}	53
E841212	83 ^{1/2}	12 ^{7/8}	50
E841612	83 ^{1/2}	16 ^{7/8}	58

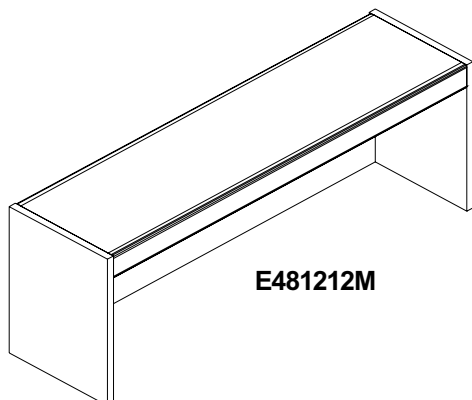
18" high

Model #	Width	Depth	Weight
E241218	24 ^{3/4}	12 ^{7/8}	28
E241618	24 ^{3/4}	16 ^{7/8}	32
E281218	28 ^{3/4}	12 ^{7/8}	31
E281618	28 ^{3/4}	16 ^{7/8}	34
E301218	30	12 ^{7/8}	33
E301618	30	16 ^{7/8}	39
E361218	36 ^{7/16}	12 ^{7/8}	33
E361618	36 ^{7/16}	16 ^{7/8}	39
E421218	42 ^{7/16}	12 ^{7/8}	42
E421618	42 ^{7/16}	16 ^{7/8}	42
E481218	48 ^{1/8}	12 ^{7/8}	39
E481618	48 ^{1/8}	16 ^{7/8}	45
E551218	56 ^{1/8}	12 ^{7/8}	57
E551618	56 ^{1/8}	16 ^{7/8}	57
E601218	59 ^{13/16}	12 ^{7/8}	51
E601618	59 ^{13/16}	16 ^{7/8}	58
E691218	69 ^{13/16}	12 ^{7/8}	56
E691618	69 ^{13/16}	16 ^{7/8}	64
E721218	71 ^{1/2}	12 ^{7/8}	56
E721618	71 ^{1/2}	16 ^{7/8}	66
E841218	83 ^{1/2}	12 ^{7/8}	63
E841618	83 ^{1/2}	16 ^{7/8}	74

Options

Modification	Model Number Change
Aluminum extrusion platform	Ewwddhh M
Drill top for wire dividers	Ewwddhh D

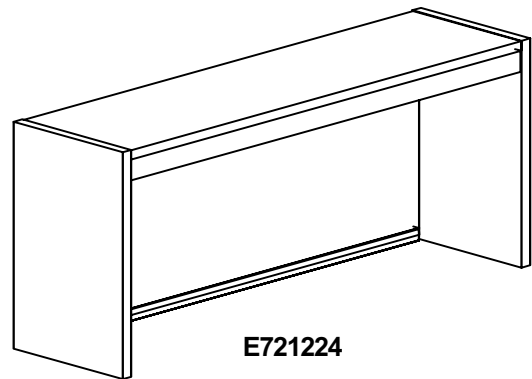
* NOTE: Aluminum extrusion option adds 3/4" to the overall depth of the platform.



Platforms - 24" high

24" high

Model #	Width	Depth	Weight
E241224	24 ^{3/4}	12 ^{7/8}	33
E241624	24 ^{3/4}	16 ^{7/8}	39
E281224	28 ^{3/4}	12 ^{7/8}	38
E281624	28 ^{3/4}	16 ^{7/8}	41
E301224	30	12 ^{7/8}	40
E301624	30	16 ^{7/8}	46
E361224	36 ^{7/16}	12 ^{7/8}	43
E361624	36 ^{7/16}	16 ^{7/8}	48
E421224	42 ^{7/16}	12 ^{7/8}	45
E421624	42 ^{7/16}	16 ^{7/8}	52
E481224	48 ^{1/8}	12 ^{7/8}	46
E481624	48 ^{1/8}	16 ^{7/8}	54
E551224	56 ^{1/8}	12 ^{7/8}	70
E551624	56 ^{1/8}	16 ^{7/8}	70
E601224	59 ^{13/16}	12 ^{7/8}	62
E601624	59 ^{13/16}	16 ^{7/8}	70
E691224	69 ^{13/16}	12 ^{7/8}	68
E691624	69 ^{13/16}	16 ^{7/8}	77
E721224	71 ^{1/2}	12 ^{7/8}	68
E721624	71 ^{1/2}	16 ^{7/8}	79
E841224	83 ^{1/2}	12 ^{7/8}	76
E841624	83 ^{1/2}	16 ^{7/8}	89



Options

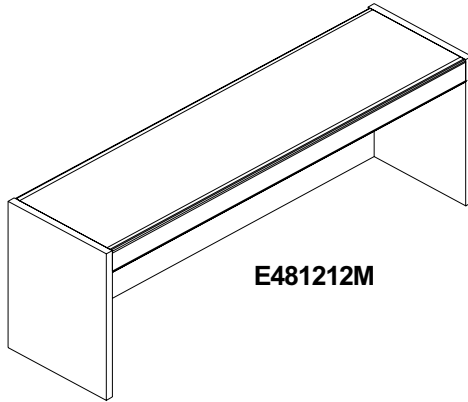
Modification	Model Number Change
Aluminum extrusion platform	Ewwddhh M
Drill top for wire dividers	Ewwddhh D

* NOTE: Aluminum extrusion option adds 3/4" to the overall depth of the platform.

Master Series Platform Accessories

Accessories

<i>Model #</i>	<i>Description</i>	<i>Weight</i>
MRKDADJ	Adjustable keyboard tray	15
MRKDADJM	Adjustable keyboard tray w/ mouse pad	16
MRUSTL-24	24" black undersurface task light	10
MRTB wwh	Tackboard (per sq. foot)	n/a



Platform Notes

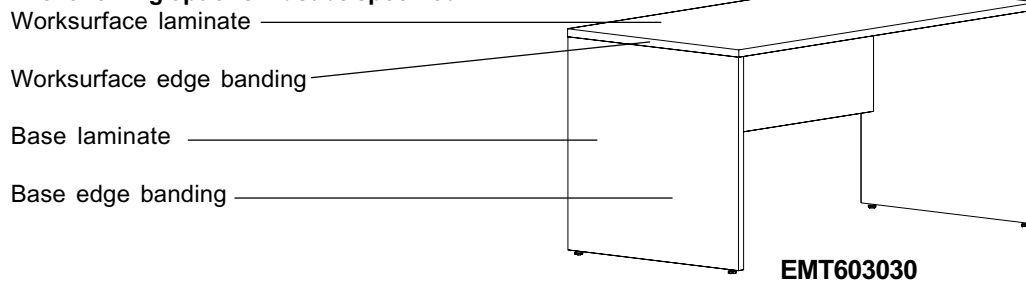
1. Three-inch high platforms feature a closed front and closed back. They are fastened to the console with a locking cam accessed from outside the platform.
2. Platforms 6" high and 54" or wider, with no aluminum extrusion, feature a center support leg.
3. Platforms higher than 6" are supported with a 2" fascia across the front.
4. Platform width should equal the width of the console on which it will be used so that it can fasten to the console at both ends.
5. Platforms 12" or higher may be ordered with front and back aluminum extrusions by adding 'M' to the end of the model number. Twelve inch platforms feature a 5" back panel and the 18" h platforms a 8"h back panel. Both have an open area between the back panel and the extrusion for cable management.
6. A keyboard tray may be mounted on the aluminum extrusion platform and positioned anywhere along the width of the extrusion. Keyboards cannot be mounted on platforms without extrusions. Keyboards must ordered seperately (See page 60).
7. Platforms without aluminum extrusions have full backs with a 1^{3/16}" black, cable-management gasket located at the bottom of the back panel.
8. Platforms are shipped knocked down. When getting freight quotes specify Class 85. If dimensions are required, use 6" for the height and add 3" to the width and depth for packing materials.

Executive Series Specifications

1. How to specify your Executive Console

- a. Select your base model number (see pg.63-65) **EMT603030**
- b. Specify your colors
- i) Worksurface laminate **EMT603030-025**
 - ii) Worksurface edge banding **EMT603030-025-002**
 - iii) Base laminate **EMT603030-025-002-002**
 - iv) Base edge banding **EMT603030-025-002-002-002**

2. The following options must be specified



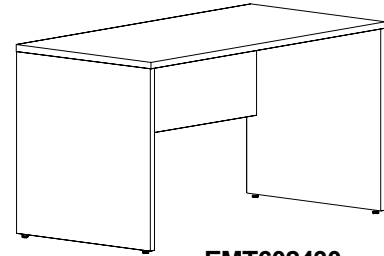
3. Explaining your specified model number

- a. Base model number
- Table type **EMTT603030**
 T = Table without shelf
 S = Table with shelf
 - Width = 60" **EMT603030**
 - Depth = 30" **EMT603030**
 - Height = 30" **EMT603030**
- b. Specified color options
- Worksurface laminate = Grey Glace (025) **EMT603030-025**
 - Worksurface edge banding = Dove Grey (002) **EMT603030-025-002**
 - Base laminate = Dove Grey (002) **EMT603030-025-002-002**
 - Base edge banding = Dove Grey (002) **EMT603030-025-002-002-002**

Executive Consoles

Space Saver- 24" deep

<i>Model #</i>	<i>Width</i>	<i>Height</i>	<i>Weight</i>
EMT242430	24 ^{3/4}	29 ^{1/2}	76
EMT302430	30	29 ^{1/2}	90
EMT362430	36 ^{7/16}	29 ^{1/2}	105
EMT422430	42 ^{7/16}	29 ^{1/2}	114
EMT482430	48 ^{1/8}	29 ^{1/2}	123
EMT552430	56 ^{1/8}	29 ^{1/2}	137
EMT602430	59 ^{13/16}	29 ^{1/2}	141
EMT692430	69 ^{13/16}	29 ^{1/2}	155
EMT722430	71 ^{1/2}	29 ^{1/2}	159



EMT602430

30" deep

<i>Model #</i>	<i>Width</i>	<i>Height</i>	<i>Weight</i>
EMT243030	24 ^{3/4}	29 ^{1/2}	88
EMT303030	30	29 ^{1/2}	96
EMT363030	36 ^{7/16}	29 ^{1/2}	92
EMT423030	42 ^{7/16}	29 ^{1/2}	100
EMT483030	48 ^{1/8}	29 ^{1/2}	107
EMT553030	56 ^{1/8}	29 ^{1/2}	119
EMT603030	59 ^{13/16}	29 ^{1/2}	123
EMT693030	69 ^{13/16}	29 ^{1/2}	135
EMT723030	71 ^{1/2}	29 ^{1/2}	142

Options

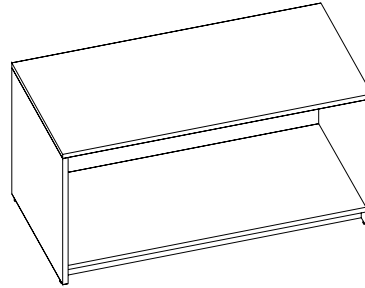
<i>Modification</i>	<i>Model # change</i>
Full modesty panel	EMTwwdd30F
Half right leg	EMTwwdd30HR
Half left leg	EMTwwdd30HL
Adjustable keyboard	EMTwwdd30AK (L/C/R)*

* Add L (left), C (center) or R (right) to specify keyboard location

Executive Consoles

Space Saver- 24" deep

Model #	Width	Height	Weight
EMS362430	36 ^{7/16}	29 ^{1/2}	123
EMS422430	42 ^{7/16}	29 ^{1/2}	135
EMS482430	48 ^{1/8}	29 ^{1/2}	145
EMS552430	56 ^{1/8}	29 ^{1/2}	157
EMS602430	59 ^{13/16}	29 ^{1/2}	169
EMS692430	69 ^{13/16}	29 ^{1/2}	187
EMS722430	71 ^{1/2}	29 ^{1/2}	189



EMS603030

30" deep

Model #	Width	Height	Weight
EMS363030	36 ^{7/16}	29 ^{1/2}	142
EMS423030	42 ^{7/16}	29 ^{1/2}	156
EMS483030	48 ^{1/8}	29 ^{1/2}	169
EMS553030	56 ^{1/8}	29 ^{1/2}	183
EMS603030	59 ^{13/16}	29 ^{1/2}	196
EMS693030	69 ^{13/16}	29 ^{1/2}	217
EMS723030	71 ^{1/2}	29 ^{1/2}	219

Options

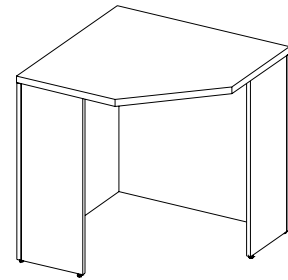
Modification	Model # change
Sliding doors	EMSwwdd 30S
Adjustable keyboard	EMxwwdd 30AK (L/C/R)*

* Add L (left), C (center) or R (right) to specify keyboard location

Corner Consoles

Model #		Width	Depth	Height	Weight
EMT4242FHCF	use w/ 30" d returns*	42	42	29 ^{1/2}	140
EMT4848FHCF	use w/ 24" d returns*	48	48	29 ^{1/2}	160

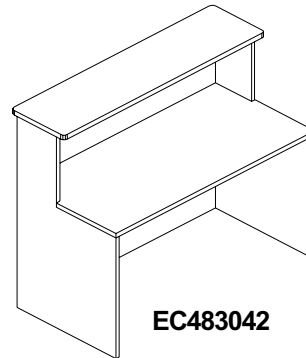
*For returns, order Executive Consoles with half-legs. See page 63.



EMT4242FHCF

Executive Counter Consoles

Model #	Width	Depth	Height	Weight
EC483042	48	30	42	206
EC603042	60	30	42	231
EC723042	72	30	42	321

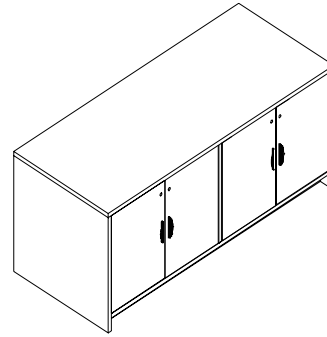


EC483042

Executive Credenza

Space Saver- 24" deep credenza

Model #	Width	Height	Weight
EMC362430	36 ^{7/16}	29 ^{1/2}	184
EMC422430	42 ^{7/16}	29 ^{1/2}	200
EMC482430	48 ^{1/8}	29 ^{1/2}	214
EMC552430	56 ^{1/8}	29 ^{1/2}	238
EMC602430	59 ^{13/16}	29 ^{1/2}	246
EMC692430	69 ^{13/16}	29 ^{1/2}	270
EMC722430	72 ^{1/2}	29 ^{1/2}	280



EMC723030

30" deep credenza

Model #	Width	Height	Weight
EMC363030	36 ^{7/16}	29 ^{1/2}	210
EMC423030	42 ^{7/16}	29 ^{1/2}	228
EMC483030	48 ^{1/8}	29 ^{1/2}	246
EMC553030	56 ^{1/8}	29 ^{1/2}	274
EMC603030	59 ^{13/16}	29 ^{1/2}	282
EMC693030	69 ^{13/16}	29 ^{1/2}	310
EMC723030	72 ^{1/2}	29 ^{1/2}	320

*Add 'SL' to end of model number for pre-drilled mail slots at no upcharge.

Executive Console Notes

- Executive Consoles are light-use equipment with no aluminum extrusions and are not intended for general mail center use.
- The standard modesty panel in an EMT Console is 15^{3/4}"h. A full modesty panel can be ordered by adding 'F' to the end of the model number.
- When using modules on EMT Consoles, use a full modesty panel for extra support.
- EMS Consoles feature a full-depth shelf located 3" above the floor. Clearance between the shelf and worksurface is 24".
- Grommets are not standard in Executive Mail Consoles. Order MRCBLCO-3 and specify a grommet location.
- Counter Consoles include a 30"d, 29^{1/2}"h workstations and a 16"d counter surface with a radiused edge.
- Credenzas feature one set of doors on units up to 48" wide and two sets of doors on wider units.
- Credenza doors come standard with black, elliptical handles.
- Credenzas also features a recessed 3" kickplate and one adjustable shelf per section.
- Executive Consoles are shipped knocked down. Specify Class 85 when obtaining freight quotes. If dimensions are required, use 10" for the height and add 3" to the depth and width of the table for packing materials.

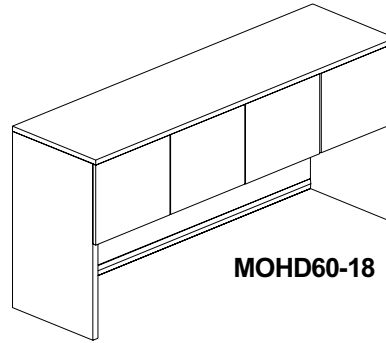
Executive Overhead Units

Overhead Storage Cabinets w/ Hinged Doors

Model #	Width	Depth	Height	Weight
MOHD36-18	36 ^{7/16}	16	48	150
MOHD42-18	42 ^{7/16}	16	48	175
MOHD48-18	48 ^{1/8}	16	48	180
MOHD55-18	56 ^{1/8}	16	48	185
MOHD60-18	59 ^{13/16}	16	48	190
MOHD69-18	69 ^{13/16}	16	48	195
MOHD72-18	71 ^{1/2}	16	48	200

Option

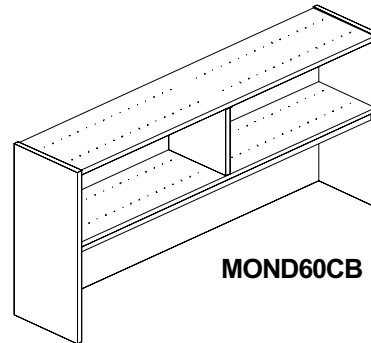
Modification	Model # change
24" clearance	MOHDww-24



MOHD60-18

Overhead Storage Units w/ No Doors

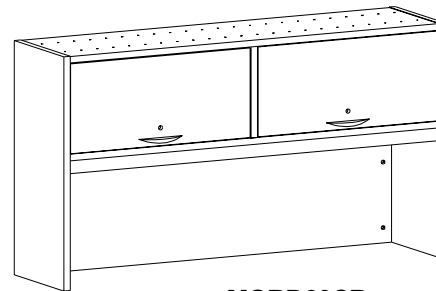
Model #	Width	Depth	Height	Weight
MOND36CB	36 ^{7/16}	15	36	100
MOND42CB	42 ^{7/16}	15	36	110
MOND48CB	48 ^{1/8}	15	36	120
MOND55CB	56 ^{1/8}	15	36	135
MOND60CB	59 ^{13/16}	15	36	140
MOND69CB	69 ^{13/16}	15	36	155
MOND72CB	71 ^{1/2}	15	36	160



MOND60CB

Over head Storage Units w/ Retractable Doors

Model #	Width	Depth	Height	Weight
MORD36CB	36 ^{7/16}	15	36	120
MORD42CB	42 ^{7/16}	15	36	131
MORD48CB	48 ^{1/8}	15	36	142
MORD55CB	56 ^{1/8}	15	36	159
MORD60CB	59 ^{13/16}	15	36	165
MORD69CB	69 ^{13/16}	15	36	182
MORD72CB	71 ^{1/2}	15	36	187



MORD60CB

Option

Modification	Model # change
No lower back	MOxDwwNB

Accessories

Model #	Description
MRUSTL-24	24" black undersurface task light
MRUSTLARM	Swivel-arm task light
MRTBwww	Tackboard (per square foot)
MRSVD	12 wire dividers

Executive Overhead Unit Notes

1. All overhead units 42" and wider have two sections. 36" units have one section.
2. Overhead units feature 18" clearance between the worksurface and the bottom fascia.
3. Overhead Storage Cabinets have hinged doors and 26" clearance between the shelves (20" if optional 24" clearance is specified). One adjustable shelf per section is included.
4. Overhead Storage Units are drilled every 2^{1/2}" for wire dividers. Units include 18-36 dividers, based on the width of the unit.
5. Clearance between shelves is 12" on Overhead Storage Units w/ Retractable Doors, 14" without doors.
6. Usable depth of bottom shelf on Overhead Storage Units w/ Retractable Doors is 12^{7/8}".
7. Optional open-back units are open only below bottom shelf.
8. Task lights and tackboards can be installed in lower area of overhead units.
9. All overhead units are shipped fully assembled. Use Class 100 when obtaining freight quotes. If dimensions are required, add 3" to each dimension for packing materials.

Executive Storage Units

1. Gang locks and anti-tip mechanisms are standard on all storage units.

Two-Drawer Lateral Files

Model #	Width	Depth	Height	Weight
MRLF262028	25 ^{5/8}	20	28	150
MRLF262030	25 ^{5/8}	20	29 ^{1/2}	154
MRLF362028	36 ^{1/8}	20	28	171
MRLF362030	36 ^{1/8}	20	29 ^{1/2}	175

Three-Drawer Lateral Files

Model #	Width	Depth	Height	Weight
MRLF262043	25 ^{1/2}	20	46 ^{1/2}	190
MRLF362043	36	20	46 ^{1/2}	200

Four-Drawer Lateral Files

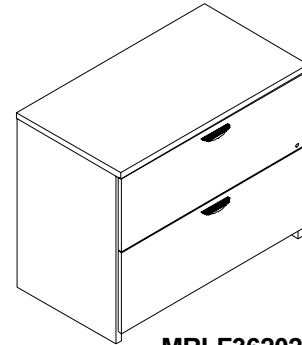
Model #	Width	Depth	Height	Weight
MRLF262060	25 ^{1/2}	20	61 ^{1/2}	234
MRLF362060	36	20	61 ^{1/2}	261

Personal Files

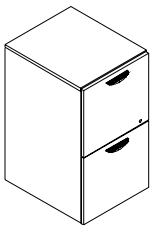
Model #	Width	Depth	Height	Weight
MLFMP282028R	28 ^{11/16}	18 ^{1/2}	28	210
MLFMP282028L	28 ^{11/16}	18 ^{1/2}	28	210

Executive Series Undertable Storage

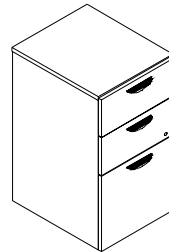
Model #	Description	Width	Depth	Height	Weight
MRDR16-3-20	Pencil drawer	20	17 ^{1/8}	2 ^{7/8}	15
MRML16-S	2-drawer suspended pedestal	15 ^{9/16}	17 ^{13/16}	18 ^{1/2}	70
MRTL16-29-C	3-drawer pedestal w/ casters	15 ^{13/16}	18 ^{3/4}	28	90
MRDL16-29-C	2-drawer pedestal w/ casters	15 ^{13/16}	18 ^{3/4}	28	85
MRTL16-29	3-drawer pedestal	15 ^{13/16}	18 ^{3/4}	28	85
MRDL16-29	2-drawer pedestal	15 ^{13/16}	18 ^{3/4}	28	90



MRLF362028



MRDL16-29



MRTL16-29

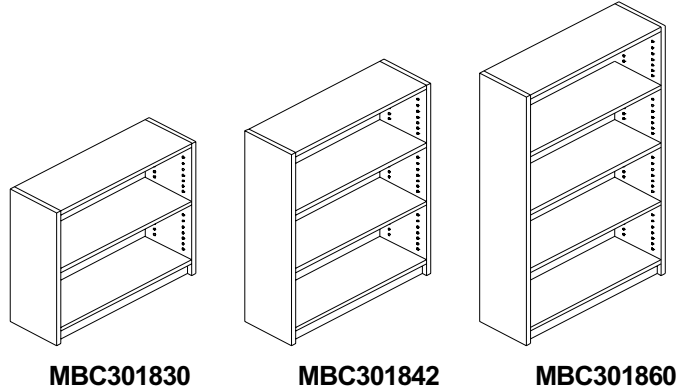
Executive Storage Units

1. Bookcase shelves are 16" deep to accommodate binder and printout storage.
2. Bookcases include the following number of adjustable shelves:

<u>Height</u>	<u>Shelves</u>
30"	1
36"	2
42"	2
60"	3
72"	4

Bookcases

<i>Model#</i>	<i>Width</i>	<i>Depth</i>	<i>Height</i>	<i>Weight</i>
MBC301830	30	18	30	94
MBC361830	36	18	30	108
MBC301836	30	18	36	105
MBC361836	36	18	36	121
MBC301842	30	18	42	127
MBC361842	36	18	42	146
MBC301860	30	18	60	148
MBC361860	36	18	60	171
MBC301872	30	18	72	181
MBC361872	36	18	72	208

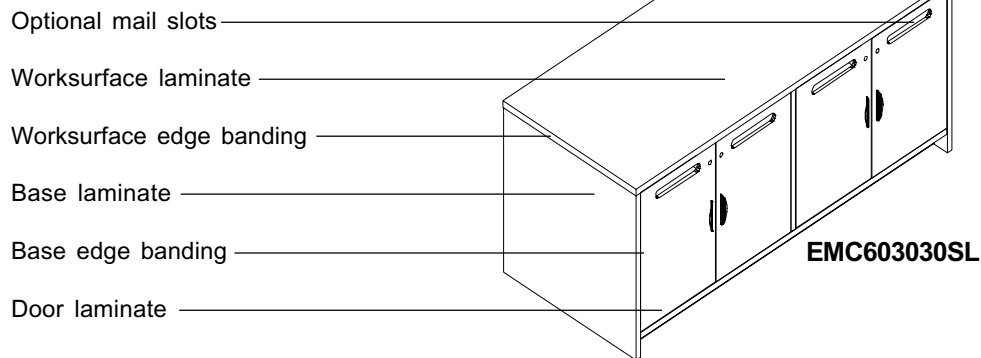


Executive Mail Station Specifications

1. How to specify your Executive Mail Station

- a. Select your base model number (see pg. 71) **EMC603030**
- b. Select mail slot option; leave blank if not desired **EMC603030SL**
(mail slots come standard 10"W x 1 1/2"H, centered 1 1/2" from top of credenza door, no upcharge)
- c. Select your colors (see back cover for color codes)
- i) Worksurface laminate **EMC603030SL-025**
 - ii) Worksurface edge banding **EMC603030SL-025-002**
 - iii) Base laminate **EMC603030SL-025-002-002**
 - iv) Base edge banding **EMC603030SL-025-002-002-002**
 - v) Door laminate **EMC603030SL-025-002-002-002-002**
- d. Order the appropriate module from pages 9-19.
(match width of credenza with width of module)

2. The following must be specified



3. Explaining your specified model number

- a. Base model number
- Width = 60" **EMC603030SL**
 - Depth = 30" **EMC603030SL**
 - Height = 30" **EMC603030SL**
- b. Specified mail slots = yes **EMC603030SL**
- b. Specified color options
- Worksurface laminate = Grey Glace (025) **EMC603030SL-025**
 - Worksurface edge banding = Dove Grey (002) **EMC603030SL-025-002**
 - Base laminate = Dove Grey (002) **EMC603030SL-025-002-002**
 - Base edge banding = Dove Grey (002) **EMC603030SL-025-002-002-002**
 - Door laminate = Dove Grey (002) **EMC603030SL-025-002-002-002-002**

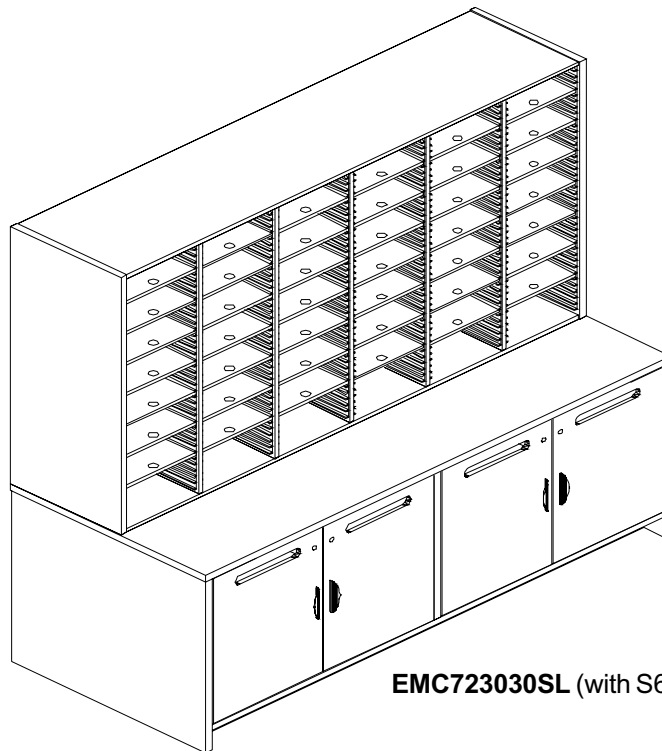
Executive Mail Stations

Space Saver- 24" deep credenza

Model #	Width	Height	Weight
EMC362430	36 ^{7/16}	29 ^{1/2}	184
EMC422430	42 ^{7/16}	29 ^{1/2}	200
EMC482430	48 ^{1/8}	29 ^{1/2}	214
EMC552430	56 ^{1/8}	29 ^{1/2}	238
EMC602430	59 ^{13/16}	29 ^{1/2}	246
EMC692430	69 ^{13/16}	29 ^{1/2}	270
EMC722430	72 ^{1/2}	29 ^{1/2}	280

30" deep credenza

Model #	Width	Height	Weight
EMC363030	36 ^{7/16}	29 ^{1/2}	210
EMC423030	42 ^{7/16}	29 ^{1/2}	228
EMC483030	48 ^{1/8}	29 ^{1/2}	246
EMC553030	56 ^{1/8}	29 ^{1/2}	274
EMC603030	59 ^{13/16}	29 ^{1/2}	282
EMC693030	69 ^{13/16}	29 ^{1/2}	310
EMC723030	72 ^{1/2}	29 ^{1/2}	320



EMC723030SL (with S6-36, order seperately)

Executive Mail Station Notes

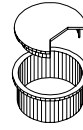
1. Executive Mail Stations are light-use equipment with no aluminum extrusions and are not intended for general mail center use.
2. Modules attach to consoles with double-faced adhesive tape.
3. Consoles feature one set of doors on units up to 48" wide and two sets of doors on wider units.
4. Consoles doors come standard with black, elliptical handles and a 1^{1/2}" x 10" mail slot
5. Consoles also features a recessed 3" kickplate and one adjustable shelf per section.
6. Executive Mail Station consoles are shipped knocked down. Specify Class 85 when obtaining freight quotes. If dimensions are required, use 10" for the height and add 3" to the depth and width of the console for packing materials. See page 20 for module freight quote information.

Executive Series Electrical Accessories

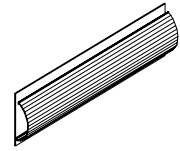
<i>Model #</i>	<i>Description</i>
MRCBLR-36	Cable raceway for 36"w console
MRCBLR-48	Cable raceway for 48"w console
MRCBLR-60	Cable raceway for 60"w console
MRCBLR-72	Cable raceway for 72"w console
MRCBLCO-3	3 ¹ / ₄ " diameter cable cutout

Electrical Options

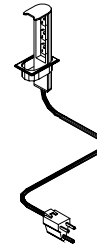
<i>Model #</i>	<i>Description</i>
MRMOPS-SP-6	6-outlet power strip 12"l
MRRPC-3	Retractable power center



MRCBLCO-3



MRCBLR-36



MRRPC-3

X-Ray Carts

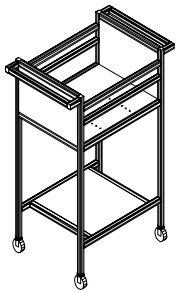
1. All film carts include hooded caster wheels.
2. XT-1 and XT-2 film carts hold 18 linear inches of film in any size up to 21^{1/2}" x 14" or accept 24 linear inches of X-ray size pendaflex hanging folders. Ten movable dividers are included.
3. XT-1 cart features two sets of handles.
4. XT-3 film carts hold 12 linear inches of film in any size up to 21^{3/4}" x 14" or accept 18 linear inches of X-ray size pendaflex hanging folders. Six removable dividers are included.
5. All cassette carts feature two front straight wheels and two rear swivel wheels. To prevent cassette slippage, the carts feature 1" wide Scotchbraid strips and two fixed dividers per level.
6. The XCT-1 cassette cart holds 32 cassettes and the XRT-2 cassette cart holds 64.
7. Cassette carts cannot ship via UPS.

X-Ray Film Carts

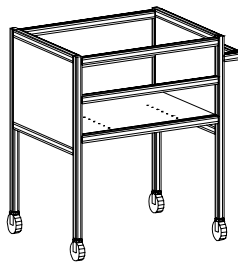
Model #	Description	Width	Depth	Height	Weight
XT-1	Walk-up height	32 ^{1/2}	21 ^{1/4}	40 ^{1/2}	50
XT-2	Desk height	29	21 ^{1/4}	28 ^{1/2}	37
XT-3	Spacesaver	26	17 ^{1/4}	28 ^{1/2}	33

X-Ray Cassette Carts

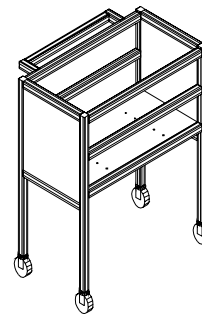
Model #	Description	Width	Depth	Height	Weight
XCT-1	Single level	32 ^{1/2}	17	42	50
XRT-2	Bi-level	32 ^{1/2}	17	50	57



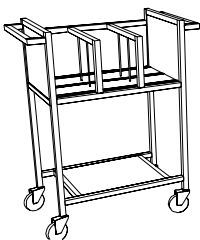
XT-1



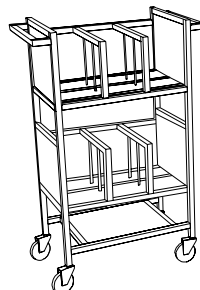
XT-2



XT-3



XCT-1



XRT-2

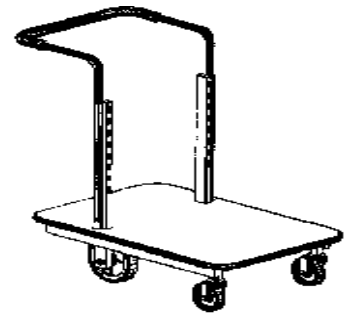
Universal Carts

1. The Universal Cart provides flexibility in configuring components to customer's mail distribution needs.
2. The cart frame is one piece welded construction, powder coated on two 8" wheels and two 5" swivel casters. Wheels and casters are non-marking rubber, inset to eliminate scuffing of walls and furniture.
3. The base unit is a single-tier platform cart to which additional platforms, mail and parcel baskets, and accessories may be added.
4. The base unit has a padded, height-adjustable handle (36" to 42" in 2" increments.)
5. Platforms are edged in scuff-resistant bumper molding.
6. Upper platforms, mail and parcel basket assemblies are adjustable on 2" centers.
7. Writing surface, 8" x 21^{3/4}", snaps to handle.
8. Rubber-insulated mailbag grips attach to handle.
9. Mail baskets are 11"h x 17"w and are available in 25" or 36" depths.
10. Parcel baskets are 7"h x 17"w and are available in 25" or 36" depths.

Platform Cart

Includes cart frame, adjustable padded handle, lower platform with scuff-resistant bumper, two straight and two swivel wheels.

Model #	Width	Depth	Height	Weight
UC3725P	37	25	36-42	75



UC3725P

Delivery Cart

Includes cart frame, adjustable padded handle, lower platform with scuff-resistant bumper, two straight and two swivel wheels, adjustable bracket, small parcel and small mail baskets

Model #	Width	Depth	Height	Weight
UC3725D	37	25	36-42	85

Master Cart

Includes cart frame, adjustable padded handle, lower platform with scuff-resistant bumper, two straight and two swivel wheels, adjustable bracket, large parcel and large mail baskets

Model #	Width	Depth	Height	Weight
UC3725M	37	25	36-42	90



UC3725M

Executive Cart

Includes cart frame, adjustable padded handle, lower platform with scuff-resistant bumper, two straight and two swivel wheels, adjustable bracket, small parcel and small mail baskets with writing surface and mailbag grips

Model #	Width	Depth	Height	Weight
UC3725E	37	25	36-42	100

Cart Accessories

Model #	Description	Width	Depth	Height	Weight
UC172507PB	Small parcel basket	17	25	7	9
UC172511MB	Small mail basket	17	25	11	10
UC173607PB	Large parcel basket	17	36	7	10
UC173611MB	Large mail basket	17	36	11	11
UC2208WP	Writing platform	21 ^{3/4}	8		10
UC2821UP	Upper platform	28	21		20
UCMG	Mailbag grips (set of 2)				5
UCADJB	Adjustable bracket				8

Limited Lifetime Warranty

LIMITED WARRANTY: Hamilton Sorter Co., Inc. ("Hamilton Sorter") warrants to the original retail purchaser that Hamilton Sorter MailCenter products (the "Hamilton Sorter Products") purchased on or after January 1, 1996 will be free from defects in material and workmanship for as long as the original retail purchaser owns such Hamilton Sorter Product, except for the following Hamilton Sorter Products which are warranted for three years from the date of purchase as shown on the purchaser's receipt: Tackboard fabric, task lights, casters, bag racks, carts, adjustable keyboards and module shelf standard as well as any powdercoated item. This warranty is made solely to the original retail purchaser and shall be effective from the date of purchase as shown on the purchaser's receipt. This warranty is void for any damages to the Hamilton Sorter Product due to misuse, abuse, neglect, accident, improper installation, failure to comply with instructions furnished by Hamilton Sorter or any repair or alteration performed by anyone other than Hamilton Sorter or an authorized Hamilton Sorter dealer. Damage caused by common carrier during shipment is not included in this warranty. **THIS WARRANTY IS THE ONLY WARRANTY MADE BY HAMILTON SORTER, AND ALL OTHER WARRANTIES WHETHER EXPRESS OR IMPLIED, INCLUDING THE IMPLIED WARRANTIES OR MERCHANTABILITY AND FITNESS FOR A PARTICULAR PURPOSE, ARE HEREBY DISCLAIMED.**

During this warranty period, if any Hamilton Sorter Products sold, which are subject to this warranty, prove to be defective in material and/or workmanship under normal use, within the warranty period set forth above, the purchaser must contact an authorized Hamilton Sorter dealer or Hamilton Sorter in writing or by telephone to arrange for inspection of such Hamilton Sorter Product by an authorized representative. The Hamilton Sorter representative after inspection will issue a return authorization for such Hamilton Sorter Product. No Hamilton Sorter Product will be accepted for return unless prior authorization is obtained from Hamilton Sorter. Hamilton Sorter shall, at its option either (1) repair such Hamilton Sorter Product free of charge or (2) replace such Hamilton Sorter Product free of charge. Hamilton Sorter will pay all shipping charges associated with the authorized return, repair and or replacement of a defective Hamilton Sorter Product. **THIS IS THE EXCLUSIVE REMEDY FOR ANY BREACH OF WARRANTY. IN NO EVENT SHALL HAMILTON SORTER BE LIABLE FOR ANY INCIDENTAL, SPECIAL OR CONSEQUENTIAL DAMAGES OF ANY KIND, WHETHER FOR BREACH OF ANY WARRANTY, FOR BREACH OF REPUDIATION OF ANY OTHER TERM OR CONDITION OF SALE, FOR NEGLIGENCE, ON THE BASIS OF STRICT LIABILITY, OR OTHERWISE.**



Hamilton Sorter Laminates

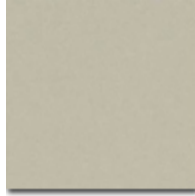
Solid Laminates



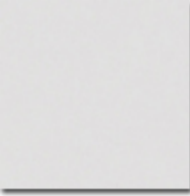
Antique White
013



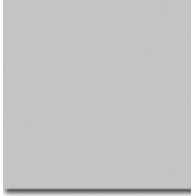
Natural Almond
031



Grey Moss
090



Fashion Grey
035



Dove Grey
002



Slate Grey
068



Shadow
096

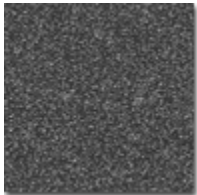


Ingot Grey
006



Black
007

Patterned Laminates

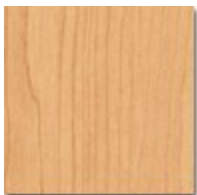


Graphite Nebula
030



Canyon Zephyr
093

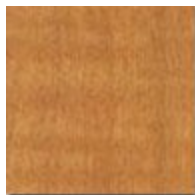
Woodgrain Laminates



Kensington Maple
036



Solar Oak
089



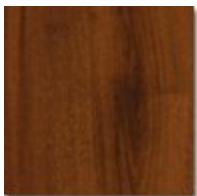
Hampton Maple
098



Oiled Cherry
055



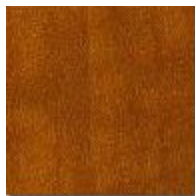
Empire Mahogany
078



Windsor Mahog'ny
001



Woodlawn Cherry
003



Cognac
091



Shaker Cherry
097



Cafelle
099



Hamilton Sorter Laminates

Designer Worksurface Laminates



White Nebula
086



Desert Zephyr
095



Misted Zephyr
094



Twilight Zephyr
092

Aluminum Console Trim Options



Anodized
Aluminum



Silver Vein



Copper Vein

* Laminates shown are approximations, for actual laminate samples contact your [Hamilton Sorter dealer](#).

* Solid, Patterned, and Woodgrain laminates are standard colors available for worksurface, base, and edgebanding. Designer Worksurface laminates are standard for worksurfaces only.

* Hamilton Sorter can use any laminate from Wilsonart, Formica, Nevamar, Pionite and others (upcharge may apply)

MailCenter Color Options

As of January 1, 2007

Standard Colors

Color Name	Color Number	Work Surface	Base & Verticals	Edge Banding	Brand Name & Number
Antique White	013	●	●	●	Wilsonart 1572-60
Natural Almond	031	●	●	●	Wilsonart D30-60
Grey Moss	090	●	●	●	Wilsonart 15008
Fashion Grey	035	●	●	●	Wilsonart D381-60
Dove Grey	002	●	●	●	Wilsonart D92-60
Slate Grey	068	●	●	●	Wilsonart D91-60
Shadow	096	●	●	●	Wilsonart D96-60
Ingot Grey	006	●	●	●	Pionite SG211-S
Black	007	●	●	●	Wilsonart 1595-60
Graphite Nebula	030	●	●	●	Wilsonart 4623-60
Canyon Zephyr	093	●	●	●	Wilsonart 4842-60
Kensington Maple	036	●	●	●	Wilsonart 10776-60
Solar Oak	089	●	●	●	Wilsonart 7816-60
Hampton Maple	098	●	●	●	Wilsonart 11044
Oiled Cherry	055	●	●	●	Pionite WC421-S
Empire Mahogany	078	●	●	●	Wilsonart 7122T-60
Windsor Mahogany	001	●	●	●	Wilsonart 7039-60
Woodlawn Cherry	003	●	●	●	Casco H1209
Cognac	091	●	●	●	Nevamar Dynea 4511
Shaker Cherry	097	●	●	●	Wilsonart 7935-7
Cafelle	099	●	●	●	Wilsonart 7933T-07

These laminate colors are available at standard prices, special laminates available call for pricing.

Designer Worksurface Colors

White Nebula	086	●		●	Wilsonart 4621-60
Desert Zephyr	095	●		●	Wilsonart 4841-60
Twilight Zephyr	092	●		●	Wilsonart 4845-60
Misted Zephyr	094	●		●	Wilsonart 4843-60

These laminate colors are available only for work surfaces at standard prices, call for pricing to use on vertical surface.

Hamilton Sorter Company

3158 Production Drive

Fairfield, OH 45014

800-503-9966

800-503-9963 fax

www.hamiltonsorter.com