



PGB Portable Gun Boxes



MODEL #PGB 1194



MODEL #PGB 1596



MODEL # PGB 1594
in # GBR 1594 Retainer

Standard Box Features

- Light Weight
- Dynamic Design
- Three Standard Sizes
- Convenient Carrying Handle
- Washable Cushioned Interior
- Choice of Locking Devices
- Fully Welded Construction
- Durable Textured Black Finish
- Two year Limited Warranty
- Tested and approved for use by a federal agency (information upon request)

Available Options

- GBR Lockdown Retainer
- MTP Mounting Plate
- High Security Locks
- Keyless Lock

Standard Configurations

Portable Gun Boxes

The users of DSM's newly designed Portable Gun Boxes will have peace of mind knowing that their guns can now be safely stored and/or transported with minimal risk of unauthorized use. The PGB incorporates our unique push button cam lock complete with 2 keys and can also be padlocked if desired. For added security, "Medeco" and "Abloy" locks as well as keyless "Simplex" locks are available as extra options. Three sizes are available to satisfy individual needs, each with a custom fitted washable cushioned interior to prevent movement & damage to contents. Weight reduction for easier portability has been achieved without compromising the integrity or strength of the box. In fact, under their testing process, a federal agency failed to gain entry during 5 minutes of forced attack and has approved the box for use by its members.

Model #	Height	Width	Length	Weight
PGB 1194	3 1/2"	9"	11 1/2"	8.5 lbs
PGB 1594	3 1/2"	9"	15 1/4"	10.5 lbs
PGB 1596	6 3/4"	9"	15 1/4"	13 lbs

Gun Box Retainer

To augment the Portable Gun Box DSM has introduced a lockable Gun Box Retainer sized to match the box of your choice. This 12 ga. steel retainer, when padlocked, whether mounted in your vehicle or in your home, will secure the locked box and its contents but will allow fast, easy removal by an authorized user.

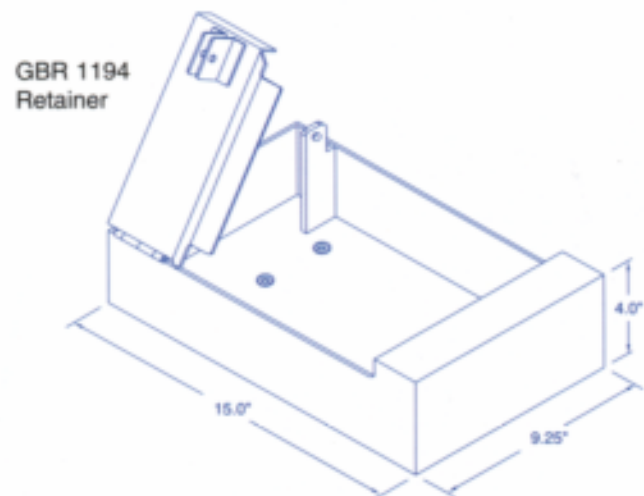
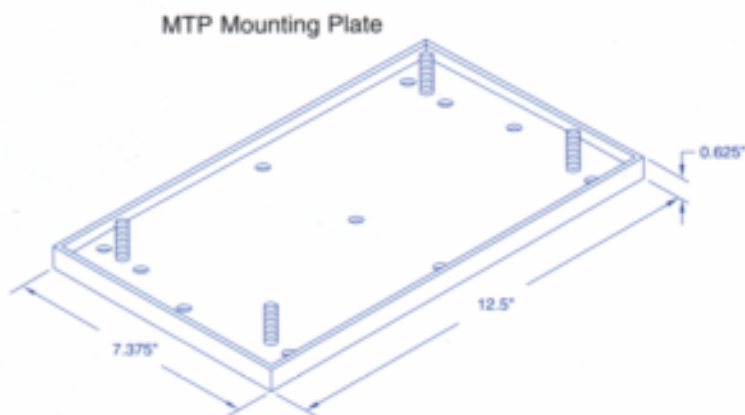
Model #	Height	Width	Length	Weight
GBR 1194	4"	9 1/4"	15"	10.8 lbs
GBR 1594	4"	9 1/4"	19 1/2"	12.2 lbs
GBR 1596	7"	9 1/4"	19 1/2"	15 lbs

Gun Box Mounting Plate

For securing the gun box on a more permanent basis, with less portability, a 12 ga. steel Mounting Plate is available with multiple mounting holes and secured with four wing nuts that can only be accessed from the open box.

Model #	Height	Width	Length
MTP	5/8"	7 3/8"	12 1/2"

Information on our extensive product line of long gun cabinets, gun cabinets and wall mounted gun boxes is available on request.



LAW ENFORCEMENT PRODUCTS

Tel: 1-866-276-0445 • Fax: (519) 941-4184
e-mail: sales@dsmlawenforcement.com
web: www.dsmlawenforcement.com